

PLEASE CHECK WWW.MOLEX.COM FOR LATEST PART INFORMATION

Part Number: [0764201000](#)
Status: **Active**
Description: 5/16"-32 UNEF Thread, Hex Panel Nut, CZ Mezzanine

Documents:

[Drawing \(PDF\)](#) [RoHS Certificate of Compliance \(PDF\)](#)

General

Product Family	Accessories
Series	76420
Component Type	Hex Nut
Product Name	N/A

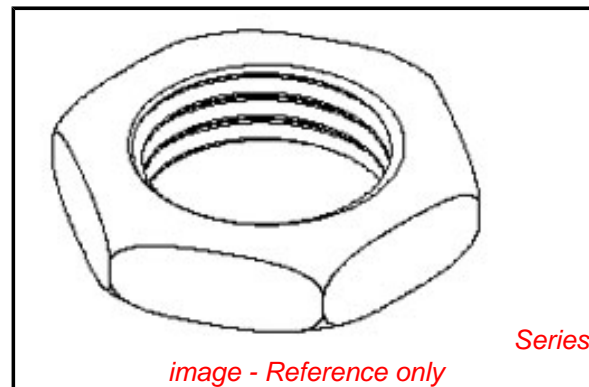
Physical

Circuits (Loaded)	0
Gender	N/A
Lock to Mating Part	No
Material - Metal	Brass
Number of Rows	0
Packaging Type	Bag
Temperature Range - Operating	N/A

Material Info

Reference - Drawing Numbers

Sales Drawing	SD-76420-001
---------------	--------------



EU RoHS

**ELV and RoHS
Compliant**
**REACH SVHC
Contains SVHC: No**
**Halogen-Free
Status
Not Reviewed**

China RoHS

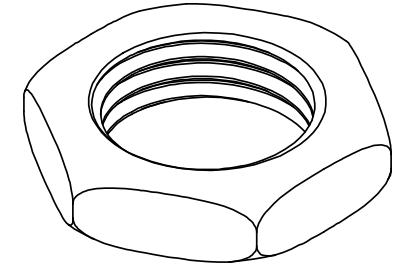
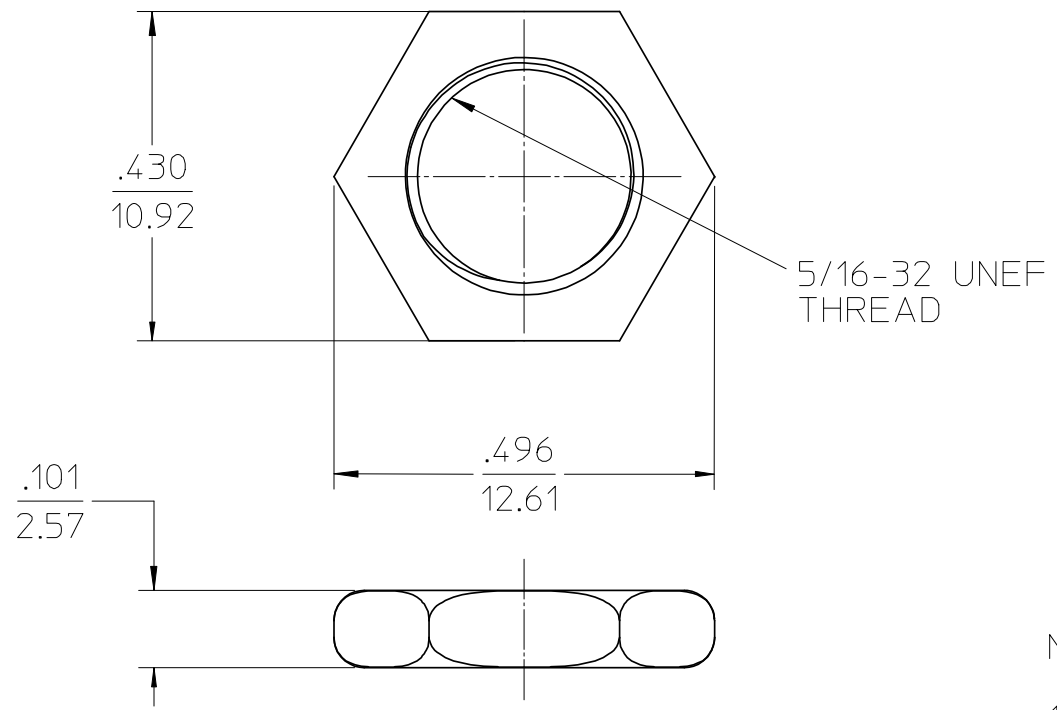


**Need more information on product
environmental compliance?**

Email productcompliance@molex.com
 For a multiple part number RoHS Certificate of
 Compliance, [click here](#)

Please visit the [Contact Us](#) section for any
 non-product compliance questions.

Search Parts in this Series
[76420Series](#)



NOTES:

- 1. MATERIAL: BRASS
- 2. FINISH: NICKEL PLATING

RELEASED EC NO: UCP2007-2296 DRWN: JQUILES CHKD: APPR: RNELSON	2008/02/12 2008/03/18 2008/03/19	QUALITY SYMBOLS $F_A=0$ $F_C=0$ $F_P=0$	GENERAL TOLERANCES (UNLESS SPECIFIED)		DIMENSION STYLE IN/MM		SCALE 4:1	DESIGN UNITS INCH	THIRD ANGLE PROJECTION			
			mm	INCH	DRAWN BY THE IN	DATE 2007/11/16	TITLE HEX PANEL NUT 5/16"-32 UNEF CZ MEZZANINE POWER					
	4 PLACES		± ---	± ---	CHECKED BY THE IN	DATE 2007/11/16						
	3 PLACES		± ---	± .005	APPROVED BY PATEL	DATE 2007/11/16	MATERIAL NO. 76420-1000		DOCUMENT NO. SD-76420-001		SHEET NO. 1 OF 1	
	2 PLACES		± 0.13	± .010	DRAFT WHERE APPLICABLE MUST REMAIN WITHIN DIMENSIONS							
1 PLACE	± 0.25	± ---	ANGULAR ± 1/2°		SIZE A		THIS DRAWING CONTAINS INFORMATION THAT IS PROPRIETARY TO MOLEX INCORPORATED AND SHOULD NOT BE USED WITHOUT WRITTEN PERMISSION					