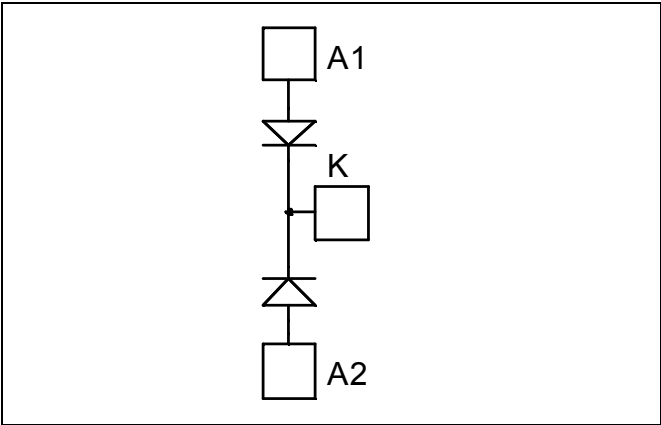


**Dual Common Cathode diodes  
Power Module**

**$V_{RRM} = 1700V$   
 $I_C = 400A @ T_c = 55^\circ C$**



**Application**

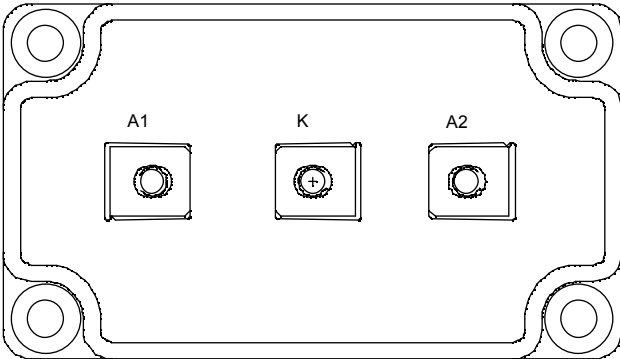
- Uninterruptible Power Supply (UPS)
- Induction heating
- Welding equipment
- High speed rectifiers

**Features**

- Ultra fast recovery times
- Soft recovery characteristics
- High blocking voltage
- High current
- Low leakage current
- Very low stray inductance
  - Symmetrical design
  - M5 power connectors
- High level of integration

**Benefits**

- Outstanding performance at high frequency operation
- Low losses
- Low noise switching
- Direct mounting to heatsink (isolated package)
- Low junction to case thermal resistance



**Absolute maximum ratings**

Symbol	Parameter	Max ratings	Unit	
$V_R$	Maximum DC reverse Voltage	1700	V	
$V_{RRM}$	Maximum Peak Repetitive Reverse Voltage			
$I_{F(AV)}$	Maximum Average Forward Current	Duty cycle = 50%	$T_c = 25^\circ C$	A
			$T_c = 55^\circ C$	
$I_{F(RMS)}$	RMS Forward Current	500		
$I_{FSM}$	Non-Repetitive Forward Surge Current	$T_j = 25^\circ C$	1500	

**CAUTION:** These Devices are sensitive to Electrostatic Discharge. Proper Handling Procedures Should Be Followed.

All ratings @  $T_j = 25^\circ\text{C}$  unless otherwise specified

### Electrical Characteristics

Symbol	Characteristic	Test Conditions		Min	Typ	Max	Unit
$V_F$	Diode Forward Voltage	$I_F = 400\text{A}$	$T_j = 25^\circ\text{C}$		2.2	2.5	V
			$T_j = 125^\circ\text{C}$		2.1		
$I_{RM}$	Maximum Reverse Leakage Current	$V_R = 1700\text{V}$	$T_j = 25^\circ\text{C}$			750	$\mu\text{A}$
			$T_j = 125^\circ\text{C}$			1000	

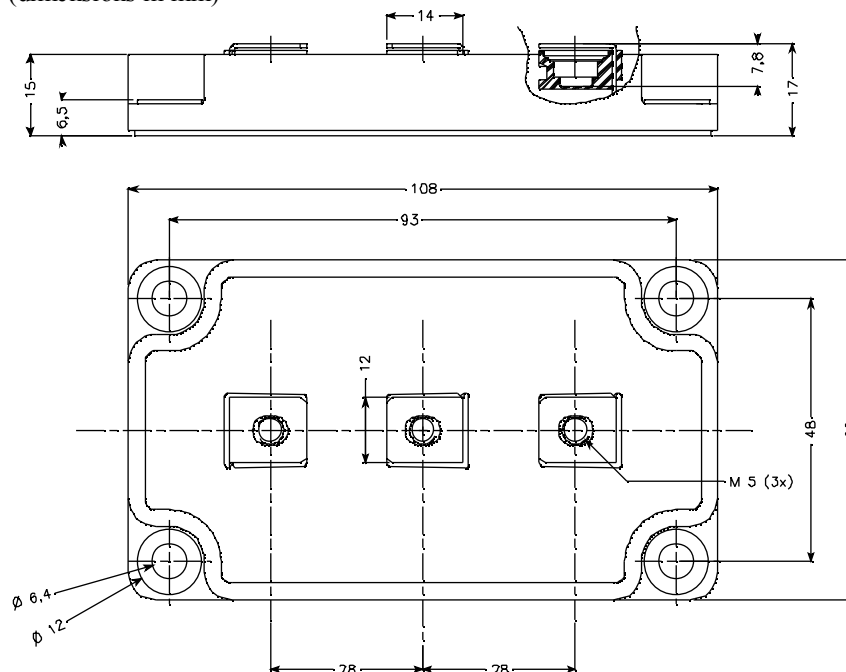
### Dynamic Characteristics

Symbol	Characteristic	Test Conditions		Min	Typ	Max	Unit
$t_{rr}$	Reverse Recovery Time	$I_F = 400\text{A}$ $V_R = 900\text{V}$ $di/dt = 4000\text{A}/\mu\text{s}$	$T_j = 25^\circ\text{C}$		572		ns
			$T_j = 125^\circ\text{C}$		704		
$Q_{rr}$	Reverse Recovery Charge		$T_j = 25^\circ\text{C}$		80		$\mu\text{C}$
			$T_j = 125^\circ\text{C}$		140		
$I_{RRM}$	Reverse Recovery Current		$T_j = 25^\circ\text{C}$		280		A
			$T_j = 125^\circ\text{C}$		400		

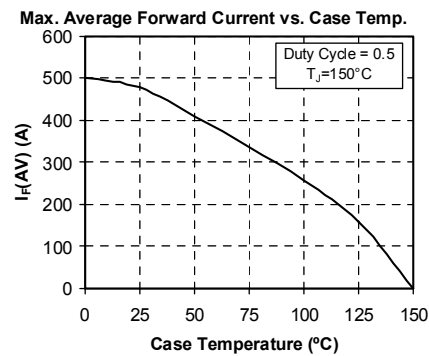
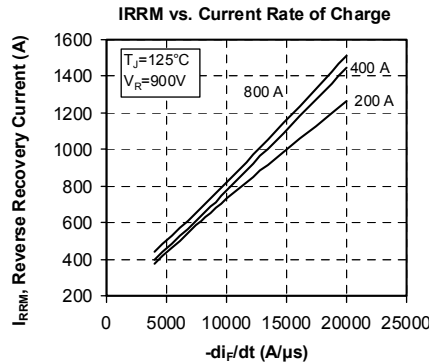
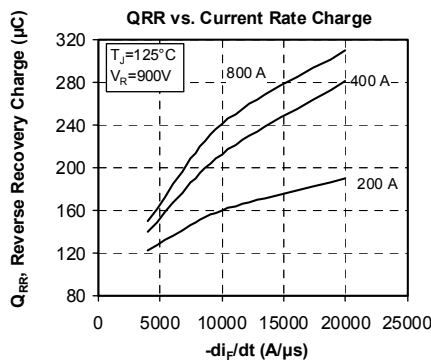
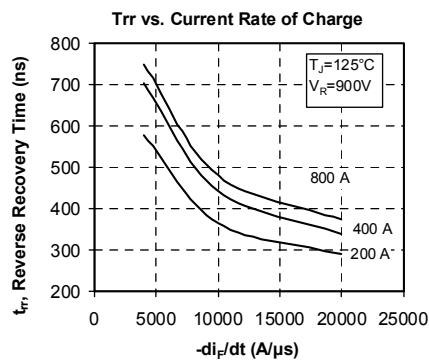
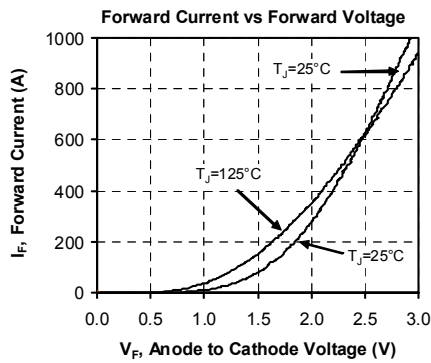
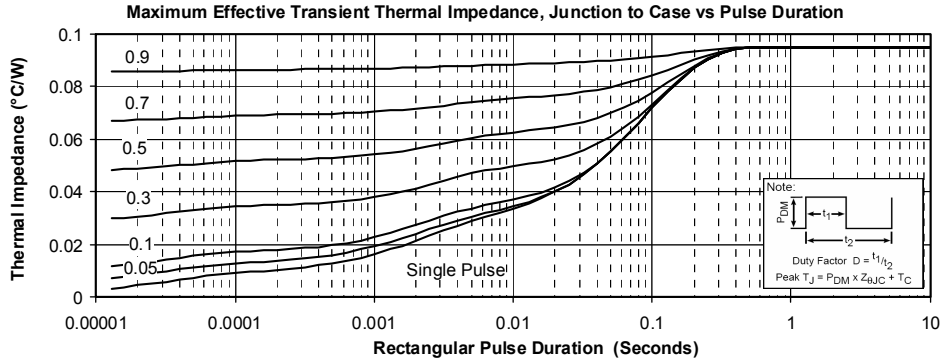
### Thermal and package characteristics

Symbol	Characteristic			Min	Typ	Max	Unit
$R_{thJC}$	Junction to Case					0.095	$^\circ\text{C}/\text{W}$
$V_{ISOL}$	RMS Isolation Voltage, any terminal to case $t = 1\text{ min}$ , $I_{isol} < 1\text{mA}$ , 50/60Hz			3400			V
$T_J$	Operating junction temperature range			-40		150	$^\circ\text{C}$
$T_{STG}$	Storage Temperature Range			-40		125	
$T_C$	Operating Case Temperature			-40		100	
Torque	Mounting torque	To heatsink	M6	3		5	N.m
		For terminals	M5	2		3.5	
Wt	Package Weight					280	g

### Package outline (dimensions in mm)



**Typical Performance Curve**



APT reserves the right to change, without notice, the specifications and information contained herein

APT's products are covered by one or more of U.S patents 4,895,810 5,045,903 5,089,434 5,182,234 5,019,522 5,262,336 6,503,786 5,256,583 4,748,103 5,283,202 5,231,474 5,434,095 5,528,058 and foreign patents. U.S and Foreign patents pending. All Rights Reserved.