

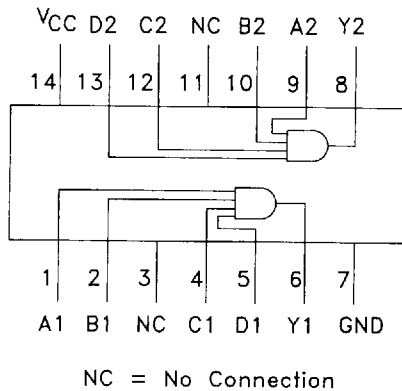
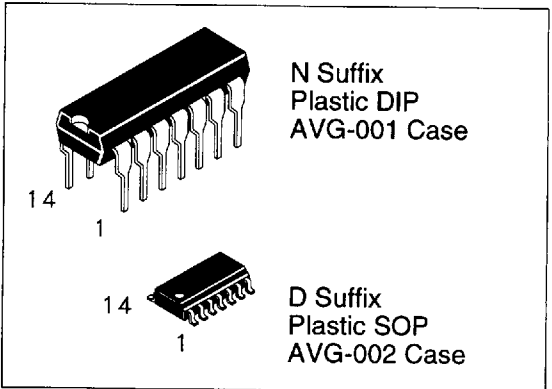
Available Q2, 1995

### Dual 4-Input AND Gate

This device contains two independent gates, each of which performs the logic AND function.

- Advanced very high speed CMOS
- Outputs source/sink 24 mA
- Transmission line driving 50 ohms
- ACT has TTL compatible inputs
- Operation from 2 to 6 volts guaranteed
- DC & AC Parameters guaranteed over -40 to +85°C

**DV74AC21**  
**DV74ACT21**



TRUTH TABLE

Inputs				Output
A	B	C	D	Y
L	X	X	X	L
X	L	X	X	L
X	X	L	X	L
X	X	X	L	L
H	H	H	H	H

H=High Logic Level  
L=Low Logic Level  
X=Don't Care

### ABSOLUTE MAXIMUM RATINGS

Maximum ratings are those values beyond which damage to the device may occur.

Symbol	Parameter	AC21, ACT21	Unit
V <sub>CC</sub>	DC Supply Voltage (Referenced to GND)	- 0.5 to +7.0	V
V <sub>IN</sub>	DC Input Voltage (Referenced to GND)	- 0.5 to V <sub>CC</sub> +0.5	V
V <sub>OUT</sub>	DC Output Voltage (Referenced to GND)	- 0.5 to V <sub>CC</sub> +0.5	V
I <sub>IN</sub>	DC Input Current, per Pin	± 20	mA
I <sub>OUT</sub>	DC Output Sink/Source Current, per Pin	± 50	mA
I <sub>CC</sub>	DC V <sub>CC</sub> or GND Current per Output Pin	± 50	mA
T <sub>stg</sub>	Storage Temperature	- 65 to +150	°C

### GUARANTEED OPERATING CONDITIONS

Symbol	Parameter	Min	Typ	Max	Unit
V <sub>CC</sub>	Supply Voltage	'AC	2.0	5.0	V
		'ACT	4.5	5.0	
V <sub>IN</sub> , V <sub>OUT</sub>	DC Input Voltage, Output Voltage, (Ref. to GND)	0		V <sub>CC</sub>	V
t <sub>r</sub> , t <sub>f</sub>	Input Rise and Fall Time (Note 1) AC Devices	V <sub>CC</sub> @ 3.0 V		150	ns/V
		V <sub>CC</sub> @ 4.5 V		40	ns/V
		V <sub>CC</sub> @ 5.5 V		25	ns/V

**GUARANTEED OPERATING CONDITIONS (continued)**

Symbol	Parameter	Min	Typ	Max	Unit
t <sub>r</sub> , t <sub>f</sub>	Input Rise and Fall Time (Note 2) ACT Devices	V <sub>CC</sub> @ 4.5 V		10	ns/V
		V <sub>CC</sub> @ 5.5 V		8.0	ns/V
T <sub>A</sub>	Operating Ambient Temperature Range	-40	25	85	°C
C <sub>IN</sub>	Input Capacitance V <sub>CC</sub> = 5.0 V	V <sub>CC</sub> = 5.0 V	4.5		pF
CPD	Power Dissipation Capacitance	V <sub>CC</sub> = 5.0 V	30		pF

 1. V<sub>IN</sub> from 30% to 70% V<sub>CC</sub>

 2. V<sub>IN</sub> from 0.8 to 2.0 V

**AC — 21**
**DC ELECTRICAL CHARACTERISTICS**

Symbol	Parameter	Conditions	V <sub>CC</sub> (V)	AC21			Unit
				T <sub>A</sub> = +25°C		T <sub>A</sub> = -40 to +85°C	
				Typ	Guaranteed Limits		
V <sub>IH</sub>	Minimum High Level Input Voltage	V <sub>OUT</sub> = 0.1V or V <sub>CC</sub> - 0.1 V	3.0	1.5	2.1	2.1	V
			4.5	2.25	3.15	3.15	
			5.5	2.75	3.85	3.85	
V <sub>IL</sub>	Maximum Low Level Input Voltage	V <sub>OUT</sub> = 0.1V or V <sub>CC</sub> - 0.1 V	3.0	1.5	0.9	0.9	V
			4.5	2.25	1.35	1.35	
			5.5	2.75	1.65	1.65	
V <sub>OH</sub>	Minimum High Level Output Voltage	I <sub>OUT</sub> = -50 μA	3.0	2.99	2.9	2.9	V
			4.5	4.49	4.4	4.4	
			5.5	5.49	5.4	5.4	
		V <sub>IN</sub> = V <sub>IL</sub> or V <sub>IH</sub> -12mA	3.0		2.56	2.46	V
			I <sub>OH</sub> -24mA	4.5		3.86	
		-24mA	5.5		4.86	4.76	
V <sub>OL</sub>	Maximum Low Level Output Voltage	I <sub>OUT</sub> = 50 μA	3.0	0.002	0.1	0.1	V
			4.5	0.001	0.1	0.1	
			5.5	0.001	0.1	0.1	
		V <sub>IN</sub> = V <sub>IL</sub> or V <sub>IH</sub> 12mA	3.0		0.36	0.44	V
			I <sub>OL</sub> 24mA	4.5		0.36	
		24mA	5.5		0.36	0.44	
I <sub>IN</sub>	Maximum Input Leakage Current	V <sub>IN</sub> = V <sub>CC</sub> or GND	5.5		±0.1	±1.0	μA
I <sub>CC</sub>	Maximum Quiescent Supply Current	V <sub>IN</sub> = V <sub>CC</sub> or GND	5.5		4.0	40	μA

21

**AC CHARACTERISTICS over full operating conditions**

Symbol	Parameter	V <sub>CC</sub> ±10% (V)	AC21				Unit
			T <sub>A</sub> = +25°C C <sub>L</sub> = 50 pF		T <sub>A</sub> = -40°C to +85°C C <sub>L</sub> = 50 pF		
			Min	Max	Min	Max	
t <sub>PLH</sub>	Propagation Delay	3.3	1.5	7.5	1.0	8.0	ns
		5.0	1.5	6.0	1.0	6.5	
t <sub>PHL</sub>	Propagation Delay	3.3	1.5	7.5	1.0	8.0	ns
		5.0	1.5	6.5	1.0	7.0	

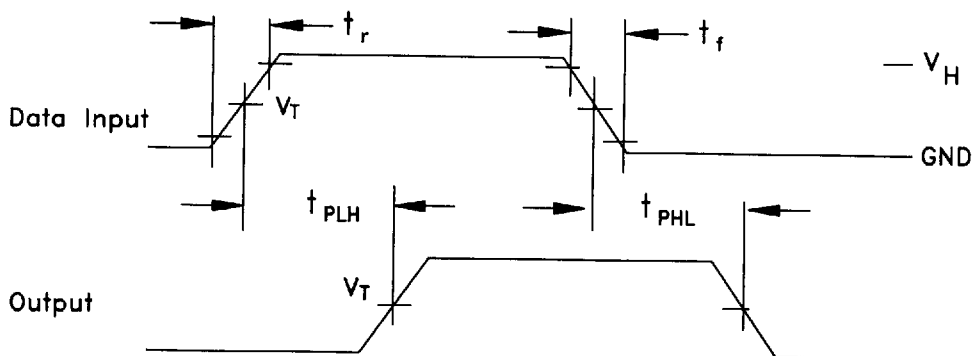
**DC ELECTRICAL CHARACTERISTICS**

Symbol	Parameter	Conditions	V <sub>CC</sub> (V)	ACT21			Unit
				T <sub>A</sub> = +25°C		T <sub>A</sub> = -40 to +85°C	
				Typ	Guaranteed Limits		
V <sub>IH</sub>	Minimum High Level Input Voltage	V <sub>OUT</sub> = 0.1V or V <sub>CC</sub> - 0.1 V	4.5 5.5	1.5 1.5	2.0 2.0	2.0 2.0	V
V <sub>IL</sub>	Maximum Low Level Input Voltage	V <sub>OUT</sub> = 0.1V or V <sub>CC</sub> - 0.1 V	4.5 5.5	1.5 1.5	0.8 0.8	0.8 0.8	V
V <sub>OH</sub>	Minimum High Level Output Voltage	I <sub>OUT</sub> = -50 μA	4.5 5.5	4.49 5.49	4.4 5.4	4.4 5.4	V
		V <sub>IN</sub> = V <sub>IL</sub> or V <sub>IH</sub> I <sub>OH</sub> = -24mA -24 mA	4.5 5.5		3.86 4.86	3.76 4.76	V
V <sub>OL</sub>	Maximum Low Level Output Voltage	I <sub>OUT</sub> = 50 μA	4.5 5.5	0.001 0.001	0.1 0.1	0.1 0.1	V
		V <sub>IN</sub> = V <sub>IL</sub> or V <sub>IH</sub> I <sub>OL</sub> = 24mA 24 mA	4.5 5.5		0.36 0.36	0.44 0.44	V
I <sub>IN</sub>	Maximum Input Leakage Current	V <sub>IN</sub> = V <sub>CC</sub> or GND	5.5		±0.1	±1.0	μA
ΔI <sub>CCCT</sub>	Additional Max I <sub>CC</sub> /Input	V <sub>IN</sub> = V <sub>CC</sub> - 2.1 V	5.5	0.6		1.5	mA
I <sub>CC</sub>	Maximum Quiescent Supply Current	V <sub>IN</sub> = V <sub>CC</sub> or GND	5.5		4.0	40	μA

**AC CHARACTERISTICS** over full operating conditions

Symbol	Parameter	V <sub>CC</sub> ±10% (V)	ACT21				Unit
			T <sub>A</sub> = +25°C C <sub>L</sub> = 50 pF		T <sub>A</sub> = -40°C to +85°C C <sub>L</sub> = 50 pF		
			Min	Max	Min	Max	
t <sub>PLH</sub>	Propagation Delay	5.0	1.5	8.5	1.0	9.0	ns
t <sub>PHL</sub>	Propagation Delay	5.0	1.5	9.5	1.0	10	ns

**SWITCHING WAVEFORMS**



Input and output threshold voltage:  
 V<sub>T</sub> = 50% V<sub>CC</sub> for AC; 1.5V for ACT  
 V<sub>H</sub> = V<sub>CC</sub> for AC, 3V for ACT