

PLEASE CHECK WWW.MOLEX.COM FOR LATEST PART INFORMATION

Part Number: [5016351020](#)
Status: **Active**
Description: 0.40mm (.016") Pitch SlimStack™ Board-to-Board Receptacle, SMT, Dual Row, Vertical Stacking, 2.50mm (.098") Stacking Height, With Solder Tabs, 100 Circuits

Documents:

[3D Model](#) [Product Specification PS-501635-002 \(PDF\)](#)
[Drawing \(PDF\)](#) [RoHS Certificate of Compliance \(PDF\)](#)

General

Product Family	PCB Receptacles
Series	501635
Application	Board-to-Board
Product Name	SlimStack™

Physical

Circuits (Loaded)	100
Color - Resin	Black
Durability (mating cycles max)	30
Glow-Wire Compliant	No
Lock to Mating Part	Yes
Mated Height (in)	0.098 In
Mated Height (mm)	2.50 mm
Material - Metal	Copper Alloy, Phosphor Bronze
Material - Plating Mating	Gold
Material - Plating Termination	Gold
Number of Rows	2
Orientation	Vertical
PCB Retention	Yes
Packaging Type	Embossed Tape on Reel
Pitch - Mating Interface (in)	0.016 In
Pitch - Mating Interface (mm)	0.40 mm
Pitch - Term. Interface (in)	0.016 In
Pitch - Term. Interface (mm)	0.40 mm
Polarized to Mating Part	No
Polarized to PCB	No
Temperature Range - Operating	-25°C to +85°C
Termination Interface: Style	Surface Mount

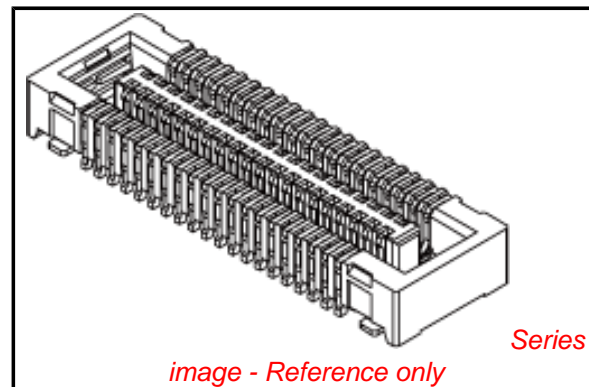
Electrical

Current - Maximum per Contact	0.3A
Voltage - Maximum	50V AC (RMS)/DC

Material Info

Reference - Drawing Numbers

Product Specification	PS-501635-002, RPS-501635-004
Sales Drawing	SD-501635-003, SD-501635-004



EU RoHS

ELV and RoHS Compliant
REACH SVHC Contains SVHC: No
Halogen-Free
Status
Not Reviewed

China RoHS



Need more information on product environmental compliance?

Email productcompliance@molex.com
 For a multiple part number RoHS Certificate of Compliance, [click here](#)

Please visit the [Contact Us](#) section for any non-product compliance questions.

Search Parts in this Series

[501635Series](#)

Mates With

[502396 PCB Header](#)

注記 NOTES

1. 使用材料 MATERIAL

ウェハ：液晶ポリマー (LCP) ガラス充填 UL94V-0 (黒)
 WAFER: LIQUID CRYSTAL POLYMER (GLASS FILLED)
 UL94V-0 (COLOR:BLACK)

ピン：黄銅 (t=0.1)
 PIN: BRASS (t=0.1)

金具：りん青銅 (t=0.12)
 FITTING NAIL: PHOSPHOR BRONZE (t=0.12)

2. メッキ仕様 PLATING

ピン PIN

金メッキ 0.2マイクロメートル以上 (コンタクト部)
 GOLD 0.2 MICROMETER MINIMUM (CONTACT AREA)

金メッキ 0.4マイクロメートル以下 (テール部)
 GOLD 0.4 MICROMETER MAXIMUM (TAIL AREA)

下地メッキ：ニッケルメッキ 1.5 マイクロメートル以上
 UNDER PLATING: NICKEL 1.5 MICROMETER MINIMUM

金具 FITTING NAIL

半田付け処理 (金・パラジウムコート)
 SOLDERABILITY IMPROVEMENT COAT (Au & Pd-Ni COAT)

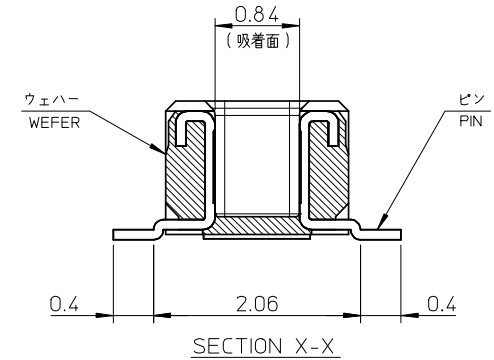
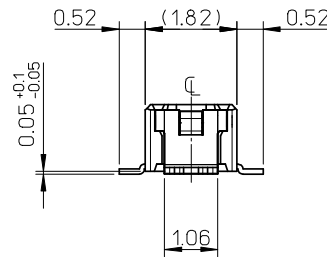
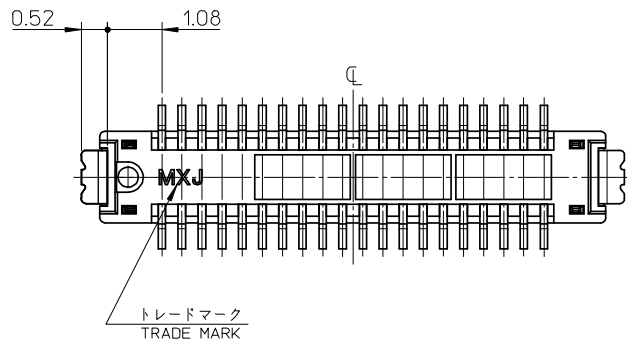
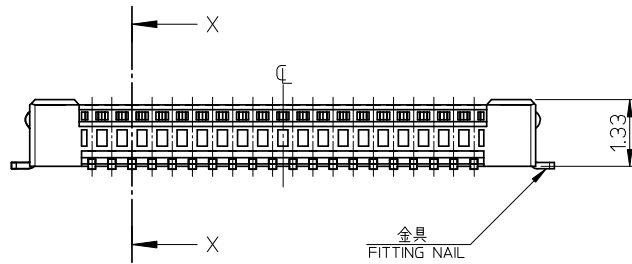
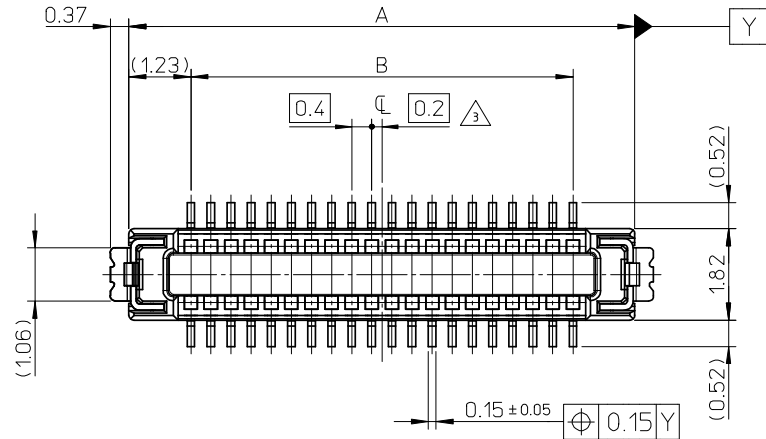
下地メッキ：ニッケルメッキ 1.0 マイクロメートル以上
 UNDER PLATING: NICKEL 1.0 MICROMETER MINIMUM

△ (全極数/2) = 偶数の場合に適用。
 APPLY ODR (CIRCUIT/2)=EVEN.

4. 嵌合相手：501635 シリーズ
 MATE WITH: 501635 SERIES.

5. テール平坦度は、0.08 以下
 TAIL COPLANARITY TO BE 0.08 MAXIMUM
 テール及び金具の平坦度は、0.1 以下
 TAIL AND FITTING NAIL COPLANARITY TO BE 0.1 MAXIMUM

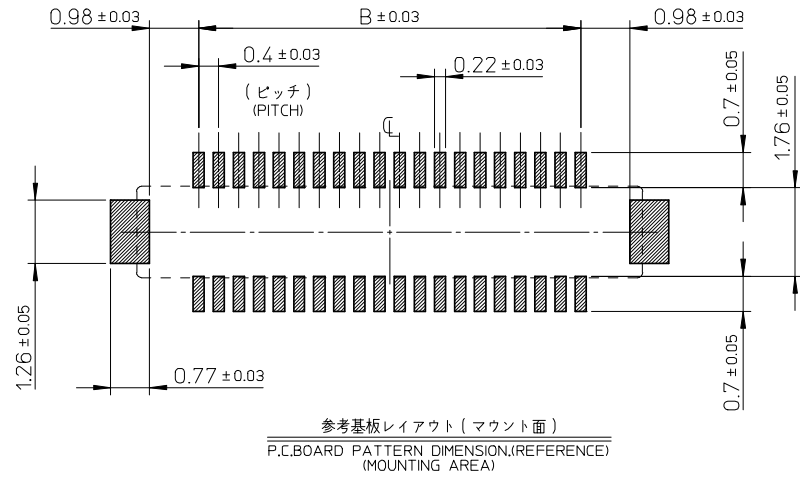
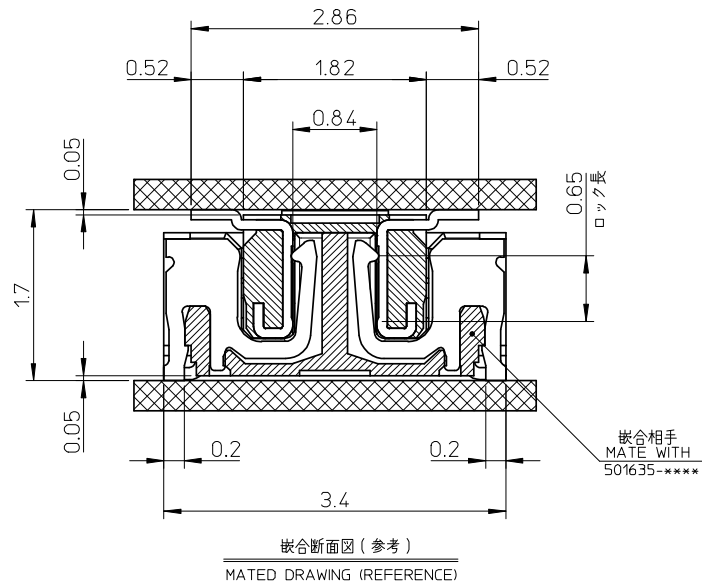
6. ELV AND RoHS COMPLIANT.



11.6	14.06	501639-0610	501639-0619	60
9.6	12.06	501639-0510	501639-0519	50
7.6	10.06	501639-0410	501639-0419	40
5.6	8.06	501639-0310	501639-0319	30
B	A	EMBOSSED TAPE	MATERIAL No.	CKT.
		ORDER No.		

MODEL No. : 501639-**19

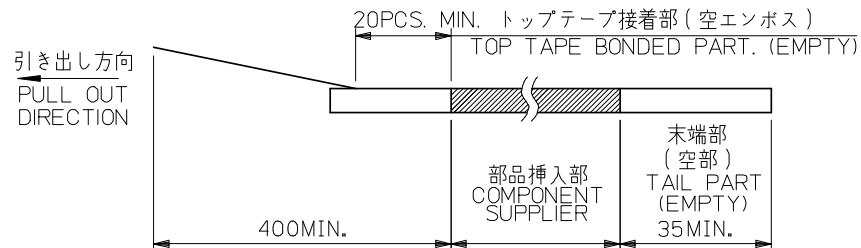
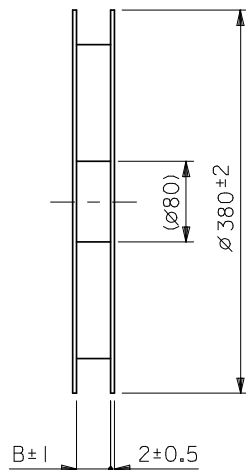
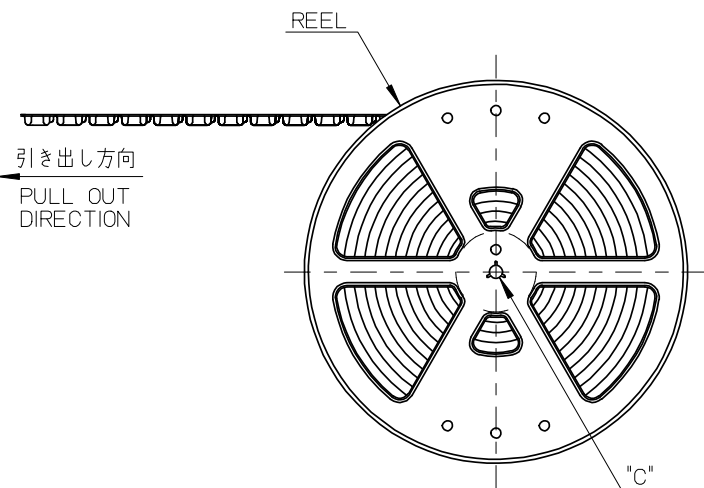
REVISED EC NO: J2009-0386 DRWN: YAQYAGI 2008/08/20 CHKD: HYAJIMA 2008/08/20 APPR: NUKITA 2008/08/20	DESCRIPTION	GENERAL TOLERANCES (UNLESS SPECIFIED)		DIMENSION STYLE	SCALE	DESIGN UNITS	THIRD ANGLE PROJECTION	
				MM ONLY	10:1	METRIC		
		10 UNDER	± 0.2	DRAWN BY	DATE	TITLE		MOLEX INCORPORATED SD-501639-001
		10 OVER 30 UNDER	± 0.25	RTAKEUCH	2005/10/27	0.4 B-TO-B CONN. HGT=1.7 PLUG ASSY [OVERMOLD]		
30 OVER	± 0.3	CHECKED BY	DATE	MATERIAL No.				
ANGULAR ±3 °		THIRATA	2005/10/27	DOCUMENT No.				
DRAFT WHERE APPLICABLE MUST REMAIN WITHIN DIMENSIONS		APPROVED BY	DATE	SHEET No.		1 OF 2		
		MSASAO	2005/10/27	SEE TABLE		THIS DRAWING CONTAINS INFORMATION THAT IS PROPRIETARY TO MOLEX INCORPORATED AND SHOULD NOT BE USED WITHOUT WRITTEN PERMISSION		



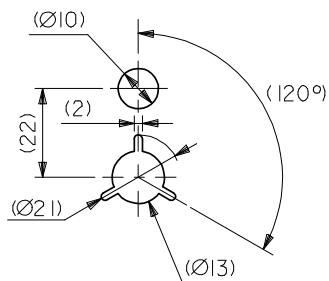
REVISED	EC NO: J2009-0386	DRWN: YA0YAGI 2008/08/20	GENERAL TOLERANCES (UNLESS SPECIFIED)	DIMENSION STYLE	SCALE	DESIGN UNITS	THIRD ANGLE PROJECTION
	DRWN: YA0YAGI 2008/08/20	CHKD: HYAJIMA 2008/08/20	10 UNDER ± 0.2	MM ONLY	10:1	METRIC	
	CHKD: HYAJIMA 2008/08/20	APPR: NUKITA 2008/08/20	10 OVER 30 UNDER ± 0.25	DRAWN BY DATE	TITLE		
	APPR: NUKITA 2008/08/20		30 OVER ± 0.3	RTAKEUCH 2005/10/27	0.4 B-TO-B CONN. HGT=1.7 PLUG ASSY [OVERMOLD]		
			ANGULAR ± 3 °	CHECKED BY DATE	MOLEX MOLEX INCORPORATED		
			DRAFT WHERE APPLICABLE MUST REMAIN WITHIN DIMENSIONS	THIRATA 2005/10/27	DOCUMENT NO.		
				APPROVED BY DATE	SD-501639-001		
				MSASAO 2005/10/27	SHEET NO.		
				MATERIAL NO.	2 OF 2		
				SEE SHEET 1	THIS DRAWING CONTAINS INFORMATION THAT IS PROPRIETARY TO MOLEX INCORPORATED AND SHOULD NOT BE USED WITHOUT WRITTEN PERMISSION		

注記 NOTES

- 製品詳細寸法については製品単体図面を参照下さい。
RE DETAILED DIMENSION, SEE PRODUCT DRAWING.
- 梱包数量: 5000 個/リール
NUMBER OF CONNECTORS: 5000PCS/REEL
- リードテープ長さ LEAD TAPE LENGTH

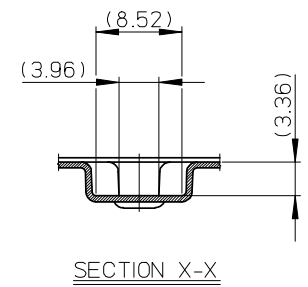
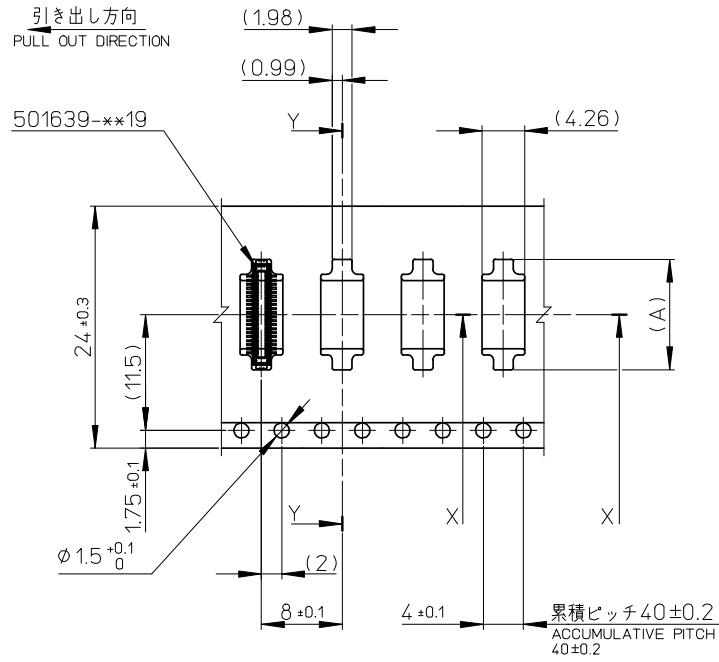
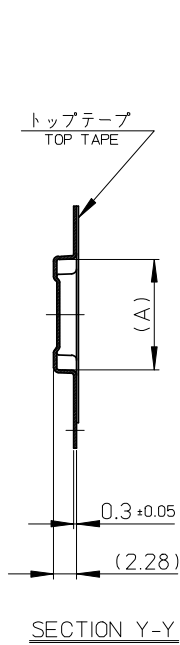


- 材料 MATERIAL
 キャリアテープ (CARRIER TAPE): ポリスチレン (POLYSTYRENE)
 トップテープ (TOP TAPE): PET, PE, PEF
 リール (REEL): ポリスチレン (PS) <リサイクル材を含む>
 POLYSTYRENE (PS) <RECYCLE MATERIAL CONTAINED>
- ELV AND RoHS COMPLIANT.



DETAIL "C"

REVISED EC NO: J2009-0386 DRWN: YAGI 2008/08/20 CHKD: HYAJIMA 2008/08/20 APPR: NUKITA 2008/08/20	DESCRIPTION	GENERAL TOLERANCES (UNLESS SPECIFIED)		DIMENSION STYLE	SCALE	DESIGN UNITS	MODEL NO.	501639-**10
				MM ONLY	---	METRIC	THIRD ANGLE PROJECTION	
		10 UNDER	±---	DRAWN BY	DATE	TITLE		
		10 OVER 30 UNDER	±---	RTAKEUCHI	2005/10/27	0.4 B-TO-B CONN. HGT=1.7 PLUG ASSY EMBSTP PKG		
		30 OVER	±---	CHECKED BY	DATE			
		ANGULAR ±---°		THIRATA	2005/10/27			
		DRAFT WHERE APPLICABLE MUST REMAIN WITHIN DIMENSIONS		APPROVED BY	DATE			
				MSASAO	2005/10/27	MOLEX INCORPORATED		
				MATERIAL NO.	SEE SHEET 2	DOCUMENT NO.	SD-501639-002	SHEET NO.
				SIZE	A3	THIS DRAWING CONTAINS INFORMATION THAT IS PROPRIETARY TO MOLEX INCORPORATED AND SHOULD NOT BE USED WITHOUT WRITTEN PERMISSION		



24mm 幅キャリアテープ
24mm WIDTH CARRIER TAPE

24	25.5	14.96	501639-0610	60	
		12.96	501639-0510	50	
		10.96	501639-0410	40	
		8.96	501639-0310	30	
キャリアテープ幅 CARRIER TAPE WIDTH		B	(A)	MATERIAL No.	CKT.
			MODEL No.	501639-**10	

REVISED EC NO: J2009-0386 DRWN: YAGYAGI CHKD: HYAJIMA APPR: NUKITA	2008/08/20	2008/08/20	2008/08/20	GENERAL TOLERANCES (UNLESS SPECIFIED) 10 UNDER ± --- 10 OVER 30 UNDER ± --- 30 OVER ± --- ANGULAR ± --- ° DRAFT WHERE APPLICABLE MUST REMAIN WITHIN DIMENSIONS	DIMENSION STYLE MM ONLY	SCALE ---	DESIGN UNITS METRIC	THIRD ANGLE PROJECTION
	DESCRIPTION	DRAWN BY	DATE		TITLE			
	REV	RTAKEUCHI	2005/10/27		0.4 B-TO-B CONN. HGT=1.7 PLUG ASSY EMBSTP PKG			
		THIRATA	2005/10/27		MOLEX INCORPORATED SEE TABLE			
		MSASAO	2005/10/27			DOCUMENT NO. SD-501639-002		
			SHEET NO. 2 OF 2					