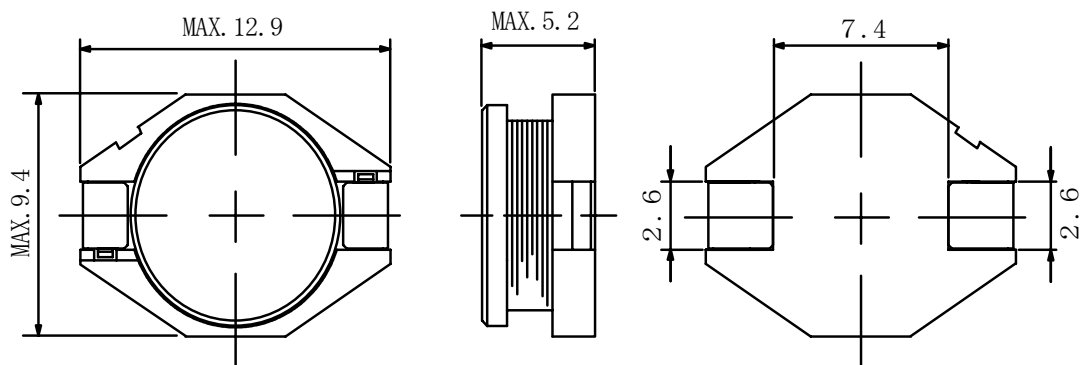
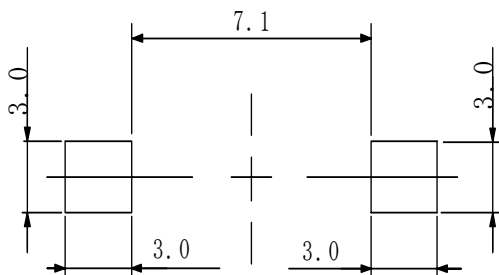


Type: CDR95
◆ Product Description

- 12.9×9.4mm Max.(L×W), 5.2mm Max. Height.
- Inductance Range: 1.0~680 μ H
- Rated current range: 0.35~9.0A
- In addition to the standards versions shown here, custom inductors are also available to meet your exact requirements.


◆ Feature

- Magnetically unshielded construction.
- Ideally used in Notebook PC, LCD TV, Game machine, HDD, DSC/DVC, etc as DC-DC Converter inductors.
- RoHS Compliance.

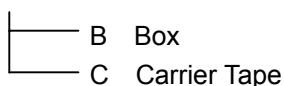
◆ Dimensions (mm)

◆ Land Pattern (mm)


Type: CDR95
◆ Specification

Part Name ※	Stamp	Inductance [Within] 100kHz	D.C.R.(mΩ) Max.(Typ.) (at 20°C)	Saturation Current (A) ※1	Temperature rise current (A)※2
CDR95NP-1R0M□	1R0M	1.0 μ H±20%	6.3(5.0)	14.6	9.0
CDR95NP-1R5M□	1R5M	1.5 μ H±20%	8.2(6.5)	12.0	8.0
CDR95NP-2R2M□	2R2M	2.2 μ H±20%	11.3(9.0)	9.4	7.0
CDR95NP-3R3M□	3R3M	3.3 μ H±20%	12.5(10.0)	7.8	6.2
CDR95NP-4R7M□	4R7M	4.7 μ H±20%	15.5(12.4)	6.4	5.8
CDR95NP-6R8M□	6R8M	6.8 μ H±20%	23.0(18.3)	5.3	4.5
CDR95NP-100M□	100M	10 μ H±20%	35.4(28.3)	4.0	3.5
CDR95NP-150M□	150M	15 μ H±20%	46.8(37.4)	3.5	3.0
CDR95NP-220M□	220M	22 μ H±20%	68.0(54.5)	3.0	2.5
CDR95NP-330M□	330M	33 μ H±20%	102.0(81.4)	2.4	2.0
CDR95NP-470M□	470M	47 μ H±20%	151.0(120.5)	2.0	1.5
CDR95NP-680M□	680M	68 μ H±20%	208.0(166.3)	1.7	1.3
CDR95NP-101M□	101M	100 μ H±20%	288.0(230.0)	1.4	1.1
CDR95NP-151M□	151M	150 μ H±20%	454.0(363.0)	1.1	0.9
CDR95NP-221M□	221M	220 μ H±20%	669.0(535.0)	0.9	0.7
CDR95NP-331M□	331M	330 μ H±20%	1000.0(800.0)	0.8	0.55
CDR95NP-471M□	471M	470 μ H±20%	1453.0(1162)	0.6	0.45
CDR95NP-681M□	681M	680 μ H±20%	2363.0(1890)	0.5	0.35

※ Description of part name

CDR95NP-1R0M□



※1.Saturation current: The DC current at which the inductance decreases to 90% of it's initial value.
(Ta=20°C)

※2.Temperature rise current: The DC current at which the temperature rise is Δt=40°C.(Ta=20°C)