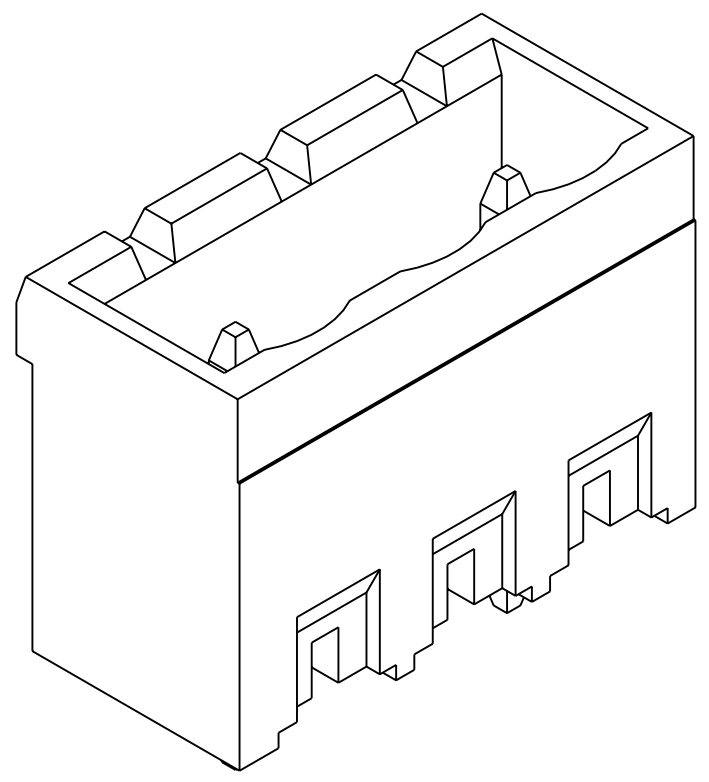
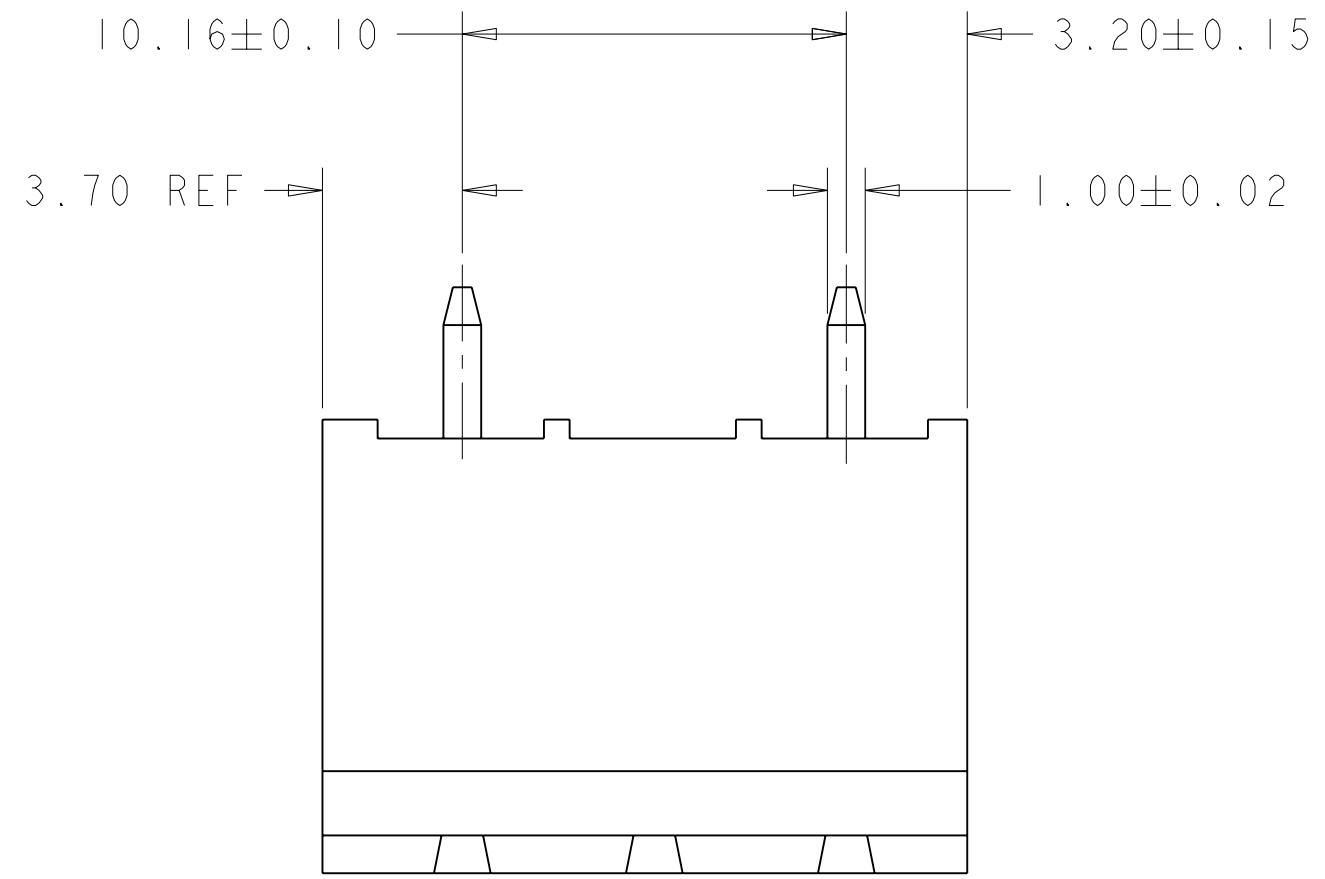


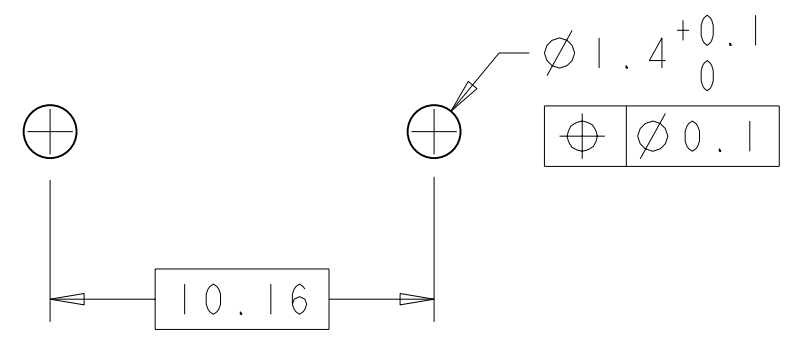
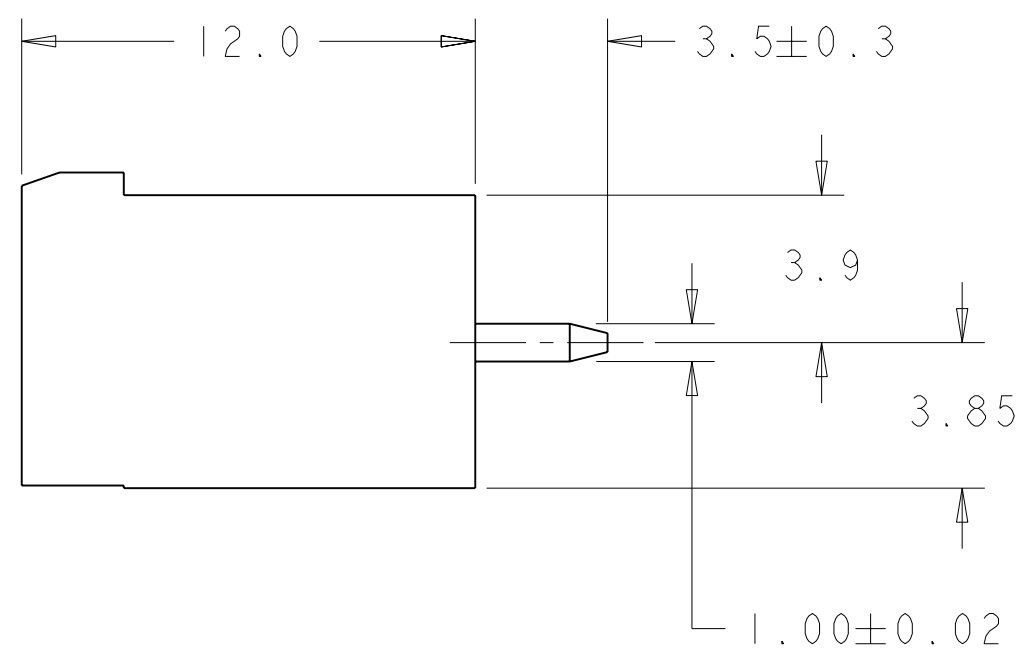
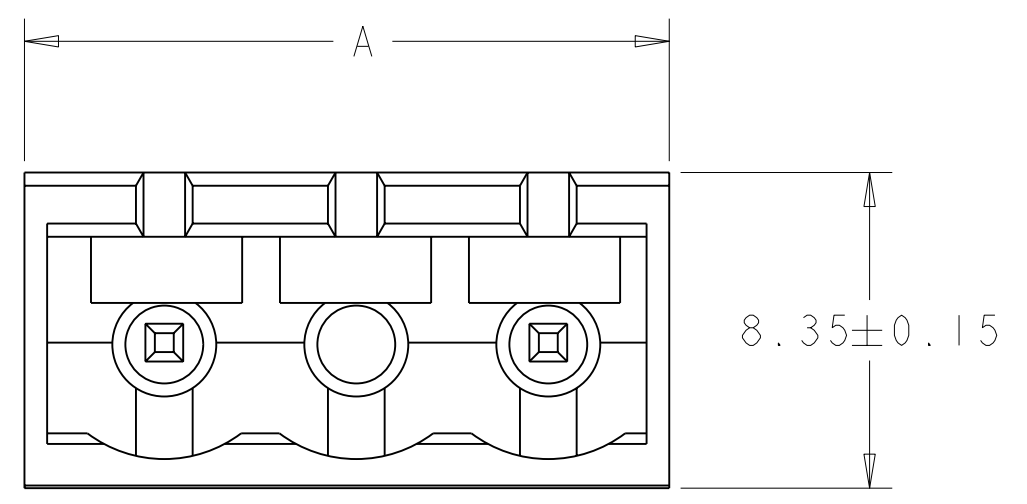
THIS DRAWING IS UNPUBLISHED. RELEASED FOR PUBLICATION 20
 © COPYRIGHT 20 BY TYCO ELECTRONICS CORPORATION. ALL RIGHTS RESERVED.

LOC		DIST		REVISIONS			
P	LTR	DESCRIPTION	DATE	DWN	APVD		
		0	RELEASED EC 0G3B-0612-04	11JUL2005	SW	CR	



- 1. MATERIALS AND FINISH
 HOUSING: HIGH TEMPERATURE POLYAMIDE, UL 94V-0 RATED,
 COLOR: BLACK.
 TERMINAL: PHOSPHOR BRONZE, TIN PLATED.
- 2. SUITABLE FOR 1,6-2,4mm PC BOARD THICKNESS.
- 3. RECOGNIZED UNDER THE COMPONENT PROGRAM OF
 UNDERWRITERS LABORATORIES INC. FILE N° E60677.
- 4. IMQ CERTIFICATE WITH SURVEILLANCE IN CONFORMITY
 WITH IEC 998-1/998-2-1.

1776161-2 AS SHOWN



RECOMMENDED PC BOARD LAYOUT

37.38	4	1776161-4
27.22	3	1776161-3
17.06	2	1776161-2
A	NO OF POSN	PART NUMBER

<small>THIS DRAWING IS A CONTROLLED DOCUMENT FOR TYCO ELECTRONICS CORPORATION IT IS SUBJECT TO CHANGE AND THE CONTROLLING ENGINEERING ORGANIZATION SHOULD BE CONTACTED FOR THE LATEST REVISION.</small>		DWN S. WELDON	11 JUL 2005	BUCHANAN Tyco Electronics Harrisburg, PA 17105-3608
DIMENSIONS: mm		CHK C. RICHARD	11 JUL 2005	
TOLERANCES UNLESS OTHERWISE SPECIFIED: 0 PLC ±.3 1 PLC ±.3 2 PLC ±.25 3 PLC ±. 4 PLC ±. ANGLES ±2		APVD C. RICHARD	11 JUL 2005	
MATERIAL 		FINISH 	NAME TERMINAL BLOCK HEADER ASSEMBLY, 180 DEGREE, CLOSED ENDS, 10.16mm PITCH	
PRODUCT SPEC 108-20166		APPLICATION SPEC 114-20079		SIZE A2
WEIGHT -		DRAWING NO C=1776161		RESTRICTED TO -
CUSTOMER DRAWING				SCALE 5:1 SHEET 1 OF 1 REV 0