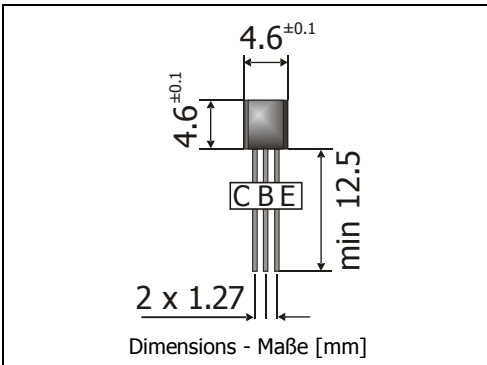


BC546xBK ... BC549xBK
General Purpose Si-Epitaxial Planar Transistors
Si-Epitaxial Planar-Transistoren für universellen Einsatz

NPN **NPN**

Version 2009-12-03



Power dissipation – Verlustleistung 500 mW
 Plastic case TO-92
 Kunststoffgehäuse (10D3)
 Weight approx. – Gewicht ca. 0.18 g
 Plastic material has UL classification 94V-0
 Gehäusematerial UL94V-0 klassifiziert
 Special packaging bulk
 Sonder-Lieferform Schüttgut



Maximum ratings (T_A = 25°C)

Grenzwerte (T_A = 25°C)

			BC546	BC547	BC548/549
Collector-Emitter-voltage	E-B short	V _{CES}	85 V	50 V	30 V
Collector-Emitter-voltage	B open	V _{CEO}	65 V	45 V	30 V
Collector-Base-voltage	E open	V _{CBO}	80 V	50 V	30 V
Emitter-Base-voltage	C open	V _{EBO}	5 V		
Power dissipation – Verlustleistung		P _{tot}	500 mW ¹⁾		
Collector current – Kollektorstrom (dc)		I _C	100 mA		
Peak Collector current – Kollektor-Spitzenstrom		I _{CM}	200 mA		
Peak Base current – Basis-Spitzenstrom		I _{BM}	200 mA		
Peak Emitter current – Emitter-Spitzenstrom		- I _{EM}	200 mA		
Junction temperature – Sperrschichttemperatur		T _j	-55...+150°C		
Storage temperature – Lagerungstemperatur		T _s	-55...+150°C		

Characteristics (T_j = 25°C)

Kennwerte (T_j = 25°C)

		Group A	Group B	Group C
DC current gain – Kollektor-Basis-Stromverhältnis ²⁾				
V _{CE} = 5 V, I _C = 10 µA	h _{FE}	typ. 90	typ. 150	typ. 270
V _{CE} = 5 V, I _C = 2 mA	h _{FE}	110 ... 220	200 ... 450	420 ... 800
V _{CE} = 5 V, I _C = 100 mA	h _{FE}	typ. 120	typ. 200	typ. 400
h-Parameters at/bei V _{CE} = 5 V, I _C = 2 mA, f = 1 kHz				
Small signal current gain Kleinsignal-Stromverstärkung	h _{fe}	typ. 220	typ. 330	typ. 600
Input impedance – Eingangs-Impedanz	h _{ie}	1.6 ... 4.5 kΩ	3.2 ... 8.5 kΩ	6 ... 15 kΩ
Output admittance – Ausgangs-Leitwert	h _{oe}	18 < 30 µS	30 < 60 µS	60 < 110 µS
Reverser voltage transfer ratio Spannungsrückwirkung	h _{re}	typ. 1.5*10 ⁻⁴	typ. 2*10 ⁻⁴	typ. 3*10 ⁻⁴

1 Valid, if leads are kept at ambient temperature at a distance of 2 mm from case
 Gültig wenn die Anschlussdrähte in 2 mm Abstand vom Gehäuse auf Umgebungstemperatur gehalten werden

Characteristics (T_j = 25°C)
Kennwerte (T_j = 25°C)

			Min.	Typ.	Max.
Collector-Emitter cutoff current – Kollektor-Emitter-Reststrom					
V _{CE} = 80 V, (B-E short)	BC546	I _{CEs}	–	0.2 nA	15 nA
V _{CE} = 50 V, (B-E short)	BC547	I _{CEs}	–	0.2 nA	15 nA
V _{CE} = 30 V, (B-E short)	BC548 / BC549	I _{CEs}	–	0.2 nA	15 nA
V _{CE} = 80 V, T _j = 125°C, (B-E short)	BC546	I _{CEs}	–	–	4 µA
V _{CE} = 50 V, T _j = 125°C, (B-E short)	BC547	I _{CEs}	–	–	4 µA
V _{CE} = 30 V, T _j = 125°C, (B-E short)	BC548 / BC549	I _{CEs}	–	–	4 µA
Collector-Emitter saturation voltage – Kollektor-Emitter-Sättigungsspg. ²⁾					
I _C = 10 mA, I _B = 0.5 mA		V _{CEsat}	–	80 mV	200 mV
I _C = 100 mA, I _B = 5 mA		V _{CEsat}	–	200 mV	600 mV
Base saturation voltage – Basis-Sättigungsspannung ²⁾					
I _C = 10 mA, I _B = 0.5 mA		V _{BEsat}	–	700 mV	–
I _C = 100 mA, I _B = 5 mA		V _{BEsat}	–	900 mV	–
Base-Emitter-voltage – Basis-Emitter-Spannung ²⁾					
V _{CE} = 5 V, I _C = 2 mA		V _{BE}	580 mV	660 mV	700 mV
V _{CE} = 5 V, I _C = 10 mA		V _{BE}	–	–	720 mV
Gain-Bandwidth Product – Transitfrequenz					
V _{CE} = 5 V, I _C = 10 mA, f = 100 MHz		f _T	–	300 MHz	–
Collector-Base Capacitance – Kollektor-Basis-Kapazität					
V _{CB} = 10 V, I _E = i _e = 0, f = 1 MHz		C _{CB0}	–	3.5 pF	6 pF
Emitter-Base Capacitance – Emitter-Basis-Kapazität					
V _{EB} = 0.5 V, I _C = i _c = 0, f = 1 MHz		C _{EB0}	–	9 pF	–
Noise figure – Rauschzahl					
V _{CE} = 5 V, I _C = 200 µA, R _G = 2 kΩ	BC546 / BC547	F	–	2 dB	10 dB
f = 1 kHz, Δf = 200 Hz	BC548 / BC549	F	–	1.2 dB	4 dB
Thermal resistance junction to ambient air Wärmewiderstand Sperrschicht – umgebende Luft			R _{thA}	< 200 K/W ¹⁾	
Recommended complementary PNP transistors Empfohlene komplementäre PNP-Transistoren			BC556 ... BC559		
Available current gain groups per type Lieferbare Stromverstärkungsgruppen pro Typ			BC546A BC547A BC548A	BC546B BC547B BC548B BC549B	BC547C BC548C BC549C

²⁾ Tested with pulses t_p = 300 µs, duty cycle ≤ 2% – Gemessen mit Impulsen t_p = 300 µs, Schaltverhältnis ≤ 2%

¹⁾ Valid, if leads are kept at ambient temperature at a distance of 2 mm from case

Gültig wenn die Anschlussdrähte in 2 mm Abstand vom Gehäuse auf Umgebungstemperatur gehalten werden