

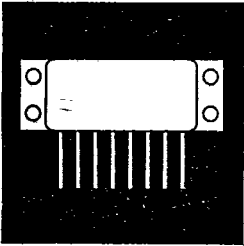
Preliminary Data Sheet

OM9327SS

T-52-13-45

DUAL MOSFET SOURCE DRIVER

OMNIREL CORP



8 Amp, Dual Source Driver

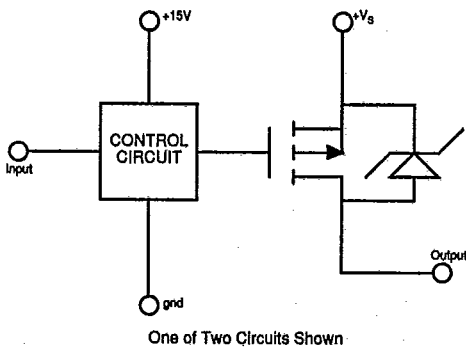
FEATURES

- 8 Pin Hermetic SIP Package
- TTL Open Collector Inputs
- Low Standby Current
- P-Channel MOSFET Outputs
- Operation To 45 Volts

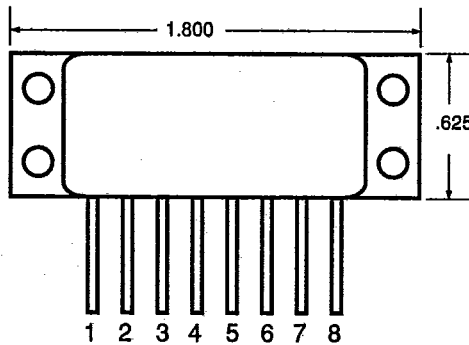
DESCRIPTION

The Omnirel 9327SS is a dual P-Channel MOSFET output device that can be used to source up to 8 Amps of current into a load connected between the output and ground. When inductive load current is switched off, a 50 Volt power zener diode dissipates the energy stored in the inductor and protects the output transistor from over voltage transients. This device is especially useful for driving solenoids, relays or coils where the metal case is often connected to the grounded end of the coil.

SCHEMATIC



PIN CONNECTION



- | | |
|-------------|-------------|
| 1 V_{ref} | 5 V_{bus} |
| 2 Input 1 | 6 output 2 |
| 3 output 1 | 7 input 2 |
| 4 V_{bus} | 8 gnd |

5

FOR FURTHER INFORMATION, CONTACT FACTORY DIRECT OR YOUR LOCAL SALES REPRESENTATIVE.

This document contains information on a new product. Specifications and information herein are subject to change without notice.