

MC68HC11A8
MC68HC11A1
MC68HC11A0

Technical Summary
8-Bit Microcontrollers

1 Introduction

The MC68HC11A8, MC68HC11A1, and MC68HC11A0 high-performance microcontroller units (MCUs) are based on the M68HC11 Family. These high speed, low power consumption chips have multiplexed buses and a fully static design. The chips can operate at frequencies from 3 MHz to dc. The three MCUs are created from the same masks; the only differences are the value stored in the CONFIG register, and whether or not the ROM or EEPROM is tested and guaranteed.

For detailed information about specific characteristics of these MCUs, refer to the *M68HC11 Reference Manual* (M68HC11RM/AD).

1.1 Features

- M68HC11 CPU
- Power Saving STOP and WAIT Modes
- 8 Kbytes ROM
- 512 Bytes of On-Chip EEPROM
- 256 Bytes of On-Chip RAM (All Saved During Standby)
- 16-Bit Timer System
 - 3 Input Capture Channels
 - 5 Output Compare Channels
- 8-Bit Pulse Accumulator
- Real-Time Interrupt Circuit
- Computer Operating Properly (COP) Watchdog System
- Synchronous Serial Peripheral Interface (SPI)
- Asynchronous Nonreturn to Zero (NRZ) Serial Communications Interface (SCI)
- 8-Channel, 8-Bit Analog-to-Digital (A/D) Converter
- 38 General-Purpose Input/Output (I/O) Pins
 - 15 Bidirectional I/O Pins
 - 11 Input-Only Pins and 12 Output-Only Pins (Eight Output-Only Pins in 48-Pin Package)
- Available in 48-Pin Dual In-Line Package (DIP) or 52-Pin Plastic Leaded Chip Carrier (PLCC)

This document contains information on a new product. Specifications and information herein are subject to change without notice.



Table 1 MC68HC11Ax Family Members

| Device Number | ROM | EEPROM | RAM | CONFIG* | Comments |
|---------------|-----|--------|-----|---------|---------------------------------|
| MC68HC11A8 | 8K | 512 | 256 | \$0F | Family built around this device |
| MC68HC11A1 | 0 | 512 | 256 | \$0D | ROM disabled |
| MC68HC11A0 | 0 | 0 | 256 | \$0C | ROM and EEPROM disabled |

Table 2 Ordering Information

| Package | Temperature | CONFIG | Description | MC Order Number |
|----------------------------------|----------------|--------|-------------------|-----------------|
| 48-Pin Plastic DIP (P suffix) | -40°to + 85°C | \$0F | BUFFALO ROM | MC68HC11A8P1 |
| | -40°to + 85°C | \$0D | No ROM | MC68HC11A1P |
| | -40°to + 105°C | \$0D | No ROM | MC68HC11A1VP |
| | -40°to + 125°C | \$0D | No ROM | MC68HC11A1MP |
| | -40°to + 85°C | \$09 | No ROM, COP On | MC68HCP11A1P |
| | -40°to + 105°C | \$09 | No ROM, COP On | MC68HCP11A1VP |
| | -40°to + 125°C | \$09 | No ROM, COP On | MC68HCP11A1MP |
| | -40°to + 85°C | \$0C | No ROM, No EEPROM | MC68HC11A0P |
| 52-Pin PLCC (FN suffix) | -40°to + 85°C | \$0F | BUFFALO ROM | MC68HC11A8FN1 |
| | -40°to + 85°C | \$0D | No ROM | MC68HC11A1FN |
| | -40°to + 105°C | \$0D | No ROM | MC68HC11A1VFN |
| | -40°to + 125°C | \$0D | No ROM | MC68HC11A1MFN |
| | -40°to + 85°C | \$09 | No ROM, COP On | MC68HCP11A1FN |
| | -40°to + 105°C | \$09 | No ROM, COP On | MC68HCP11A1VFN |
| | -40°to + 125°C | \$09 | No ROM, COP On | MC68HCP11A1MFN |
| | -40°to + 85°C | \$0C | No ROM, No EEPROM | MC68HC11A0FN |

TABLE OF CONTENTS

| Section | Page |
|--|------|
| 1 Introduction..... | 1 |
| 1.1 Features | 1 |
| 2 Operating Modes and Memory Maps | 6 |
| 2.1 Memory Maps | 7 |
| 3 Resets and Interrupts | 13 |
| 4 Electrically Erasable Programmable Read-Only Memory (EEPROM) | 17 |
| 5 Parallel Input/Output..... | 19 |
| 6 Serial Communications Interface (SCI) | 23 |
| 7 Serial Peripheral Interface (SPI)..... | 29 |
| 8 Main Timer..... | 32 |
| 9 Pulse Accumulator..... | 38 |
| 10 Analog-to-Digital Converter | 41 |

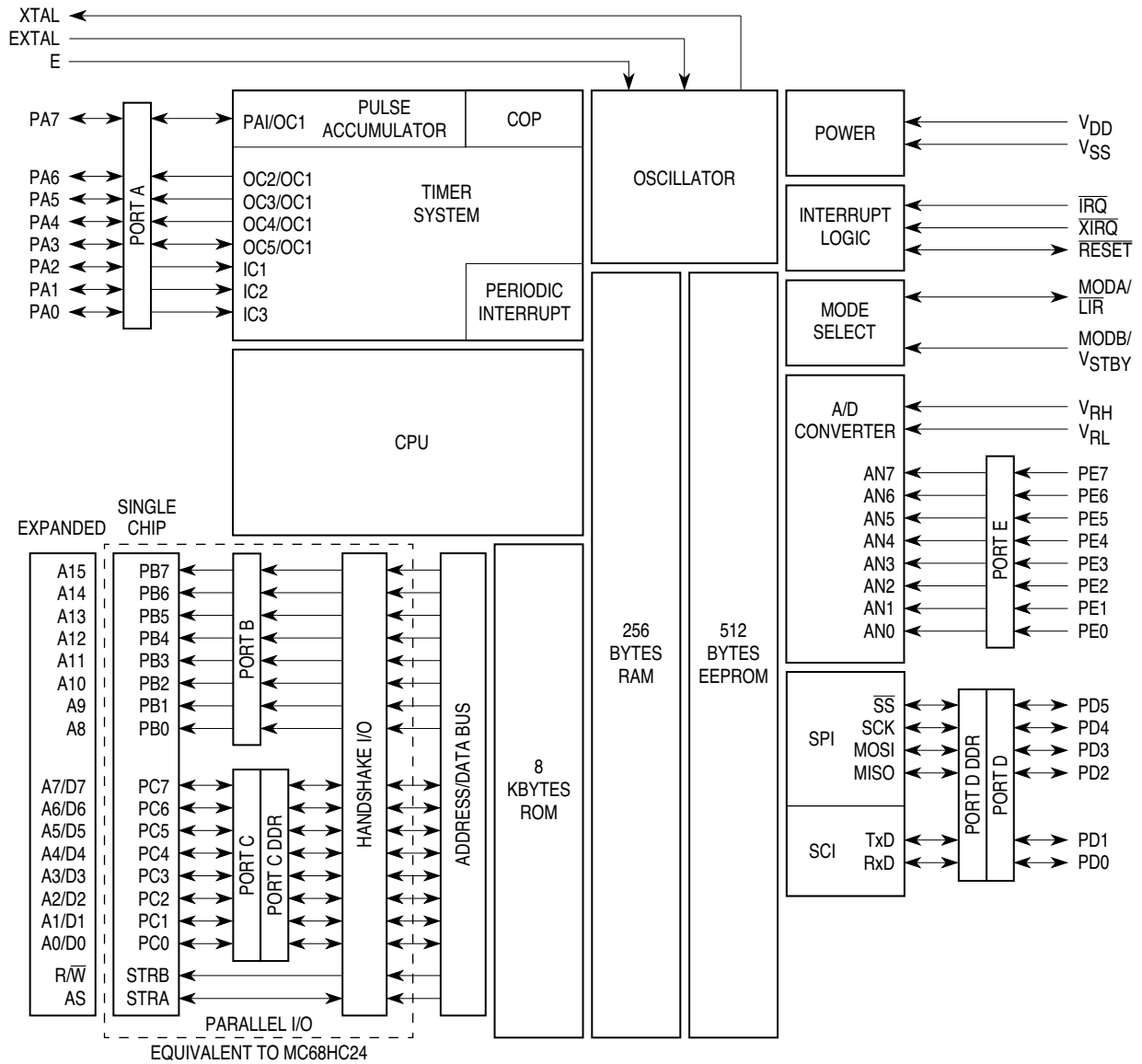


Figure 1 MC68HC11A8 Block Diagram

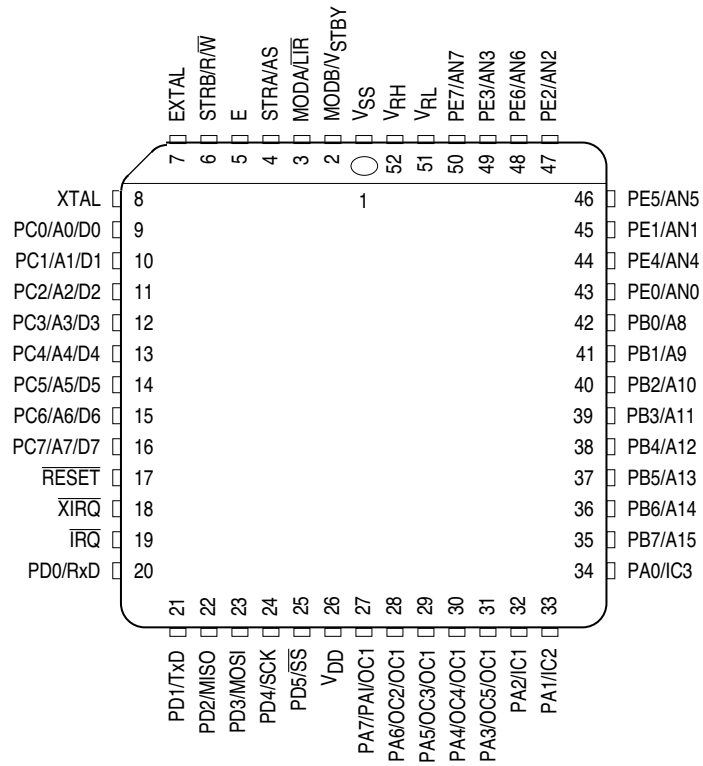


Figure 2 52-Pin PLCC Pin Assignments



Figure 3 48-Pin DIP Pin Assignments

2 Operating Modes and Memory Maps

In single-chip operating mode, the MC68HC11A8 is a monolithic microcontroller without external address or data buses.

In expanded multiplexed operating mode, the MCU can access a 64 Kbyte address space. The space includes the same on-chip memory addresses used for single-chip mode plus external peripheral and memory devices. The expansion bus is made up of ports B and C and control signals AS and R/W. The address, R/W, and AS signals are active and valid for all bus cycles including accesses to internal memory locations. The following figure illustrates a recommended method of demultiplexing low-order addresses from data at port C.

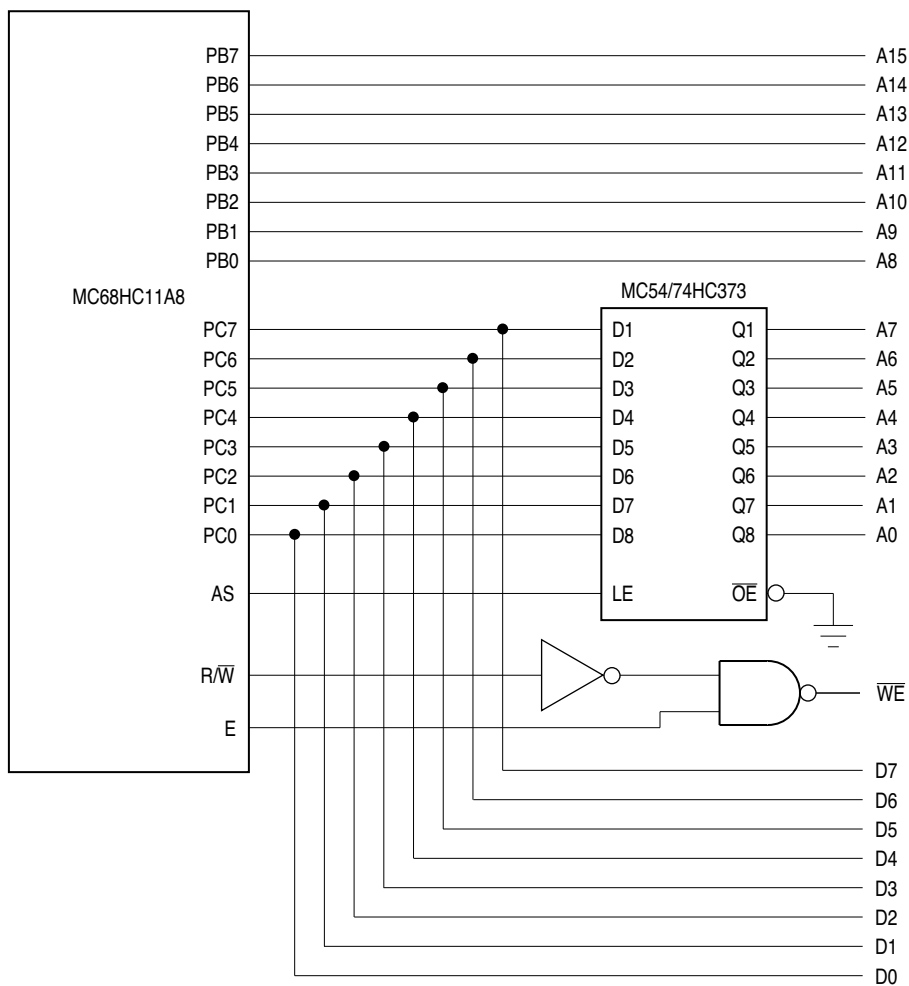


Figure 4 Address/Data Demultiplexing

Special bootstrap mode allows special purpose programs to be entered into internal RAM. The boot-loader program uses the SCI to read a 256-byte program into on-chip RAM at \$0000 through \$00FF. After receiving the character for address \$00FF, control passes to the loaded program at \$0000.

Special test mode is used primarily for factory testing.

2.1 Memory Maps

Memory locations are the same for expanded multiplexed and single-chip modes. The on-board 256-byte RAM is initially located at \$0000 after reset. The 64-byte register block originates at \$1000 after reset. RAM and/or the register block can be placed at any other 4K boundary (\$x000) after reset by writing an appropriate value to the INIT register. The 512-byte EEPROM is located at \$B600 through \$B7FF after reset if it is enabled. The 8 Kbyte ROM is located at \$E000 through \$FFFF if it is enabled.

Hardware priority is built into the memory remapping. Registers have priority over RAM, and RAM has priority over ROM. The higher priority resource covers the lower, making the underlying locations inaccessible.

In special bootstrap mode, a bootloader ROM is enabled at locations \$BF40 through \$BFFF.

In special test and special bootstrap modes, reset and interrupt vectors are located at \$BFC0 through \$BFFF.

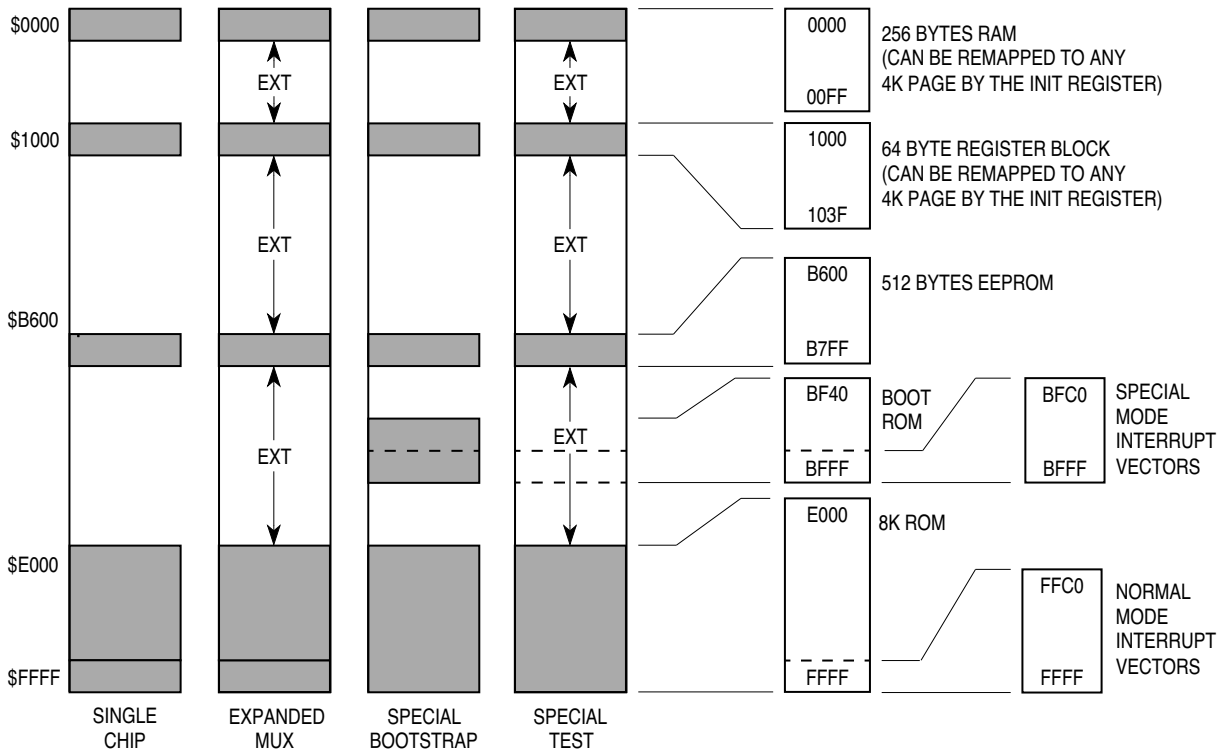


Figure 5 Memory Map

Table 3 MC68HC11A8 Register and Control Bit Assignments (Sheet 1 of 2)

(The register block can be remapped to any 4K boundary.)

| | Bit 7 | 6 | 5 | 4 | 3 | 2 | 1 | Bit 0 | |
|--------|--------|-------|-------|-------|-------|-------|-------|-------|-------------|
| \$1000 | PA7 | PA6 | PA5 | PA4 | PA3 | PA2 | PA1 | PA0 | PORTA |
| \$1001 | | | | | | | | | Reserved |
| \$1002 | STAF | STAI | CWOM | HNDS | OIN | PLS | EGA | INVB | PIOC |
| \$1003 | PC7 | PC6 | PC5 | PC4 | PC3 | PC2 | PC1 | PC0 | PORTC |
| \$1004 | PB7 | PB6 | PB5 | PB4 | PB3 | PB2 | PB1 | PB0 | PORTB |
| \$1005 | PCL7 | PCL6 | PCL5 | PCL4 | PCL3 | PCL2 | PCL1 | PCL0 | PORTCL |
| \$1006 | | | | | | | | | Reserved |
| \$1007 | DDC7 | DDC6 | DDC5 | DDC4 | DDC3 | DDC2 | DDC1 | DDC0 | DDRC |
| \$1008 | 0 | 0 | PD5 | PD4 | PD3 | PD2 | PD1 | PD0 | PORTD |
| \$1009 | 0 | 0 | DDD5 | DDD4 | DDD3 | DDD2 | DDD1 | DDD0 | DDRD |
| \$100A | PE7 | PE6 | PE5 | PE4 | PE3 | PE2 | PE1 | PE0 | PORTE |
| \$100B | FOC1 | FOC2 | FOC3 | FOC4 | FOC5 | 0 | 0 | 0 | CFORC |
| \$100C | OC1M7 | OC1M6 | OC1M5 | OC1M4 | OC1M3 | 0 | 0 | 0 | OC1M |
| \$100D | OC1D7 | OC1D6 | OC1D5 | OC1D4 | OC1D3 | 0 | 0 | 0 | OC1D |
| \$100E | Bit 15 | 14 | 13 | 12 | 11 | 10 | 9 | Bit 8 | TCNT (High) |
| \$100F | Bit 7 | 6 | 5 | 4 | 3 | 2 | 1 | Bit 0 | TCNT (Low) |
| \$1010 | Bit 15 | 14 | 13 | 12 | 11 | 10 | 9 | Bit 8 | TIC1 (High) |
| \$1011 | Bit 7 | 6 | 5 | 4 | 3 | 2 | 1 | Bit 0 | TIC1 (Low) |
| \$1012 | Bit 15 | 14 | 13 | 12 | 11 | 10 | 9 | Bit 8 | TIC2 (High) |
| \$1013 | Bit 7 | 6 | 5 | 4 | 3 | 2 | 1 | Bit 0 | TIC2 (Low) |
| \$1014 | Bit 15 | 14 | 13 | 12 | 11 | 10 | 9 | Bit 8 | TIC3 (High) |
| \$1015 | Bit 7 | 6 | 5 | 4 | 3 | 2 | 1 | Bit 0 | TIC3 (Low) |
| \$1016 | Bit 15 | 14 | 13 | 12 | 11 | 10 | 9 | Bit 8 | TOC1(High) |
| \$1017 | Bit 7 | 6 | 5 | 4 | 3 | 2 | 1 | Bit 0 | TOC1 (Low) |
| \$1018 | Bit 15 | 14 | 13 | 12 | 11 | 10 | 9 | Bit 8 | TOC2 (High) |
| \$1019 | Bit 7 | 6 | 5 | 4 | 3 | 2 | 1 | Bit 0 | TOC2 (Low) |
| \$101A | Bit 15 | 14 | 13 | 12 | 11 | 10 | 9 | Bit 8 | TOC3 (High) |
| \$101B | Bit 7 | 6 | 5 | 4 | 3 | 2 | 1 | Bit 0 | TOC3 (Low) |
| \$101C | Bit 15 | 14 | 13 | 12 | 11 | 10 | 9 | Bit 8 | TOC4 (High) |
| \$101D | Bit 7 | 6 | 5 | 4 | 3 | 2 | 1 | Bit 0 | TOC4 (Low) |
| \$101E | Bit 15 | 14 | 13 | 12 | 11 | 10 | 9 | Bit 8 | TOC5 (High) |
| \$101F | Bit 7 | 6 | 5 | 4 | 3 | 2 | 1 | Bit 0 | TOC5 (Low) |
| \$1020 | OM2 | OL2 | OM3 | OL3 | OM4 | OL4 | OM5 | OL5 | TCTL1 |
| \$1021 | 0 | 0 | EDG1B | EDG1A | EDG2B | EDG2A | EDG3B | EDG3A | TCTL2 |
| \$1022 | OC1I | OC2I | OC3I | OC4I | OC5I | IC1I | IC2I | IC3I | TMSK1 |
| \$1023 | OC1F | OC2F | OC3F | OC4F | OC5F | IC1F | IC2F | IC3F | TFLG1 |
| \$1024 | TOI | RTII | PAOVI | PAII | 0 | 0 | PR1 | PR0 | TMSK2 |
| \$1025 | TOF | RTIF | PAOVF | PAIF | 0 | 0 | 0 | 0 | TFLG2 |

Table 3 MC68HC11A8 Register and Control Bit Assignments (Sheet 2 of 2)

(The register block can be remapped to any 4K boundary.)

| | Bit 7 | 6 | 5 | 4 | 3 | 2 | 1 | Bit 0 | |
|--------|-------|-------|-------|-------|-------|-------|-------|-------|----------|
| \$1026 | DDRA7 | PAEN | PAMOD | PEDGE | 0 | 0 | RTR1 | RTR0 | PACTL |
| \$1027 | Bit 7 | 6 | 5 | 4 | 3 | 2 | 1 | Bit 0 | PACNT |
| \$1028 | SPIE | SPE | DWOM | MSTR | CPOL | CPHA | SPR1 | SPR0 | SPCR |
| \$1029 | SPIF | WCOL | 0 | MODF | 0 | 0 | 0 | 0 | SPSR |
| \$102A | Bit 7 | 6 | 5 | 4 | 3 | 2 | 1 | Bit 0 | SPDR |
| \$102B | TCLR | 0 | SCP1 | SCP0 | RCKB | SCR2 | SCR1 | SCR0 | BAUD |
| \$102C | R8 | T8 | 0 | M | WAKE | 0 | 0 | 0 | SCCR1 |
| \$102D | TIE | TCIE | RIE | ILIE | TE | RE | RWU | SBK | SCCR2 |
| \$102E | TDRE | TC | RDRF | IDLE | OR | NF | FE | 0 | SCSR |
| \$102F | R7/T7 | R6/T6 | R5/T5 | R4/T4 | R3/T3 | R2/T2 | R1/T1 | R0/T0 | SCDR |
| \$1030 | CCF | 0 | SCAN | MULT | CD | CC | CB | CA | ADCTL |
| \$1031 | Bit 7 | 6 | 5 | 4 | 3 | 2 | 1 | Bit 0 | ADR1 |
| \$1032 | Bit 7 | 6 | 5 | 4 | 3 | 2 | 1 | Bit 0 | ADR2 |
| \$1033 | Bit 7 | 6 | 5 | 4 | 3 | 2 | 1 | Bit 0 | ADR3 |
| \$1034 | Bit 7 | 6 | 5 | 4 | 3 | 2 | 1 | Bit 0 | ADR4 |
| \$1035 | | | | | | | | | Reserved |
| \$1038 | | | | | | | | | Reserved |
| \$1039 | ADPU | CSEL | IRQE | DLY | CME | 0 | CR1 | CR0 | OPTION |
| \$103A | Bit 7 | 6 | 5 | 4 | 3 | 2 | 1 | Bit 0 | COPRST |
| \$103B | ODD | EVEN | 0 | BYTE | ROW | ERASE | EELAT | EEPGM | PPROG |
| \$103C | RBOOT | SMOD | MDA | IRV | PSEL3 | PSEL2 | PSEL1 | PSEL0 | HPRIO |
| \$103D | RAM3 | RAM2 | RAM1 | RAM0 | REG3 | REG2 | REG1 | REG0 | INIT |
| \$103E | TILOP | 0 | OCCR | CBYP | DISR | FCM | FCOP | TCON | TEST1 |
| \$103F | 0 | 0 | 0 | 0 | NOSEC | NOCOP | ROMON | EEON | CONFIG |

HPRIO — Highest Priority I-Bit Interrupt and Miscellaneous**\$103C**

| | | | | | | | | |
|--------|-------|------|-----|-----|-------|-------|-------|-------|
| | Bit 7 | 6 | 5 | 4 | 3 | 2 | 1 | Bit 0 |
| | RBOOT | SMOD | MDA | IRV | PSEL3 | PSEL2 | PSEL1 | PSEL0 |
| RESET: | — | — | — | — | 0 | 1 | 0 | 1 |

RBOOT, SMOD, and MDA reset depend on conditions at reset and can only be written in special modes (SMOD = 1).

RBOOT — Read Bootstrap ROM

0 = Bootloader ROM disabled and not in map

1 = Bootloader ROM enabled and in map at \$BF40–\$BFFF

SMOD — Special Mode Select**MDA** — Mode Select A

| Inputs | | Mode | Latched at Reset | | |
|--------|------|----------------------|------------------|------|-----|
| MODB | MODA | | RBOOT | SMOD | MDA |
| 1 | 0 | Single Chip | 0 | 0 | 0 |
| 1 | 1 | Expanded Multiplexed | 0 | 0 | 1 |
| 0 | 0 | Special Bootstrap | 1 | 1 | 0 |
| 0 | 1 | Special Test | 0 | 1 | 1 |

IRV — Internal Read Visibility

0 = No internal read visibility on external bus

1 = Data from internal reads is driven out through the external data bus

PSEL3–PSEL0 — Priority Select Bits 3 through 0Refer to **3 Resets and Interrupts**.**INIT** — RAM and I/O Mapping**\$103D**

| | | | | | | | | |
|--------|-------|------|------|------|------|------|------|-------|
| | Bit 7 | 6 | 5 | 4 | 3 | 2 | 1 | Bit 0 |
| | RAM3 | RAM2 | RAM1 | RAM0 | REG3 | REG2 | REG1 | REG0 |
| RESET: | 0 | 0 | 0 | 0 | 0 | 0 | 0 | 1 |

RAM[3:0] — 256-Byte Internal RAM Map Position

RAM[3:0] determine the upper four bits of the RAM address, positioning RAM at the selected 4K boundary.

REG[3:0] — 64-Byte Register Block Map Position

REG[3:0] determine the upper four bits of the register address, positioning registers at the selected 4K boundary. Register can be written only once in the first 64 cycles out of reset in normal modes, or any time in special modes.

TEST1 — Factory Test**\$103E**

| | Bit 7 | 6 | 5 | 4 | 3 | 2 | 1 | Bit 0 |
|--------|-------|---|------|------|------|-----|------|-------|
| | TILOP | 0 | OCCR | CBYP | DISR | FCM | FCOP | TCON |
| RESET: | 0 | 0 | 0 | 0 | — | 0 | 0 | 0 |

Test Modes Only

TILOP — Test Illegal Opcode

OCCR — Output Condition Code Register to Timer Port

CBYP — Timer Divider Chain Bypass

DISR — Disable Resets from COP and Clock Monitor

DISR is forced to one out of reset in special test and bootstrap modes.

FCM — Force Clock Monitor Failure

FCOP — Force COP Watchdog Failure

TCON — Test Configuration Register

CONFIG — COP, ROM, EEPROM Enables**\$103F**

| | Bit 7 | 6 | 5 | 4 | 3 | 2 | 1 | Bit 0 |
|--------|-------|---|---|---|-------|-------|-------|-------|
| | 0 | 0 | 0 | 0 | NOSEC | NOCOP | ROMON | EEON |
| RESET: | 0 | 0 | 0 | 0 | — | — | — | — |

NOTE

The bits of this register are implemented with EEPROM cells. Programming and erasing follow normal EEPROM procedures. The erased state of CONFIG is \$0F. A new value is not readable until after a subsequent reset sequence. CONFIG can only be programmed or erased in special modes.

NOSEC — EEPROM Security Disable

Refer to **4 Electrically Erasable Programmable Read-Only Memory (EEPROM)**.

NOCOP — COP System Disable

Refer to **3 Resets and Interrupts**.

ROMON — ROM Enable

In single-chip mode, ROMON is forced to one out of reset.

0 = 8K ROM removed from the memory map

1 = 8K ROM present in the memory map

EEON — EEPROM Enable

0 = EEPROM is removed from the memory map

1 = EEPROM is present in the memory map

3 Resets and Interrupts

The MC68HC11A8 has three reset vectors and 18 interrupt vectors. The reset vectors are as follows:

- $\overline{\text{RESET}}$, or Power-On
- COP Clock Monitor Fail
- COP Failure

The eight interrupt vectors service 23 interrupt sources (three non-maskable, 20 maskable). The three non-maskable interrupt vectors are as follows:

- Illegal Opcode Trap
- Software Interrupt
- $\overline{\text{XIRQ}}$ Pin (Pseudo Non-Maskable Interrupt)

The 20 maskable interrupt sources are subject to masking by a global interrupt mask, the I bit in the condition code register (CCR). In addition to the global I bit, all of these sources except the external interrupt ($\overline{\text{IRQ}}$) pin are controlled by local enable bits in control registers. Most interrupt sources in the M68HC11 have separate interrupt vectors. For this reason, there is usually no need for software to poll control registers to determine the cause of an interrupt. The maskable interrupt sources respond to a fixed priority relationship, except that any one source can be dynamically elevated to the highest priority position of any maskable source. Refer to the table of interrupt and reset vector assignments.

On-chip peripheral systems generate maskable interrupts that are recognized only if the I bit in the CCR is clear. Maskable interrupts are prioritized according to a default arrangement, but any one source can be elevated to the highest maskable priority position by the HPRIO register. The HPRIO register can be written at any time, provided the I bit in the CCR is set.

For some interrupt sources, such as the parallel I/O and SCI interrupts, the flags are automatically cleared during the course of responding to the interrupt requests. For example, the RDRF flag in the SCI system is cleared by the automatic clearing mechanism, which consists of a read of the SCI status register while RDRF is set, followed by a read of the SCI data register. The normal response to an RDRF interrupt request is to read the SCI status register to check for receive errors, then to read the received data from the SCI data register. These two steps satisfy the automatic clearing mechanism without requiring any special instructions.

The real-time interrupt (RTI) function generates hardware interrupts at a fixed periodic rate. These hardware interrupts provide a time reference signal for routines that measure real time. The routine notes the number of times a particular interrupt has occurred and multiplies that number by the predetermined subroutine execution time.

There are four RTI signal rates available in the MC68HC11A8. The MCU oscillator frequency and the value of two software-accessible control bits, RTR1 and RTR0, in the pulse accumulator control register (PACTL) determine these signal rates. Refer to **8 Main Timer** for more information about PACTL.

Table 4 Interrupt and Reset Vector Assignments

| Vector Address | Interrupt Source | CCR Mask | Local Mask |
|---------------------|--|----------|------------|
| FFC0, C1 – FFD4, D5 | Reserved | — | — |
| FFD6, D7 | SCI Serial System | I Bit | |
| | • SCI Transmit Complete | | TCIE |
| | • SCI Transmit Data Register Empty | | TIE |
| | • SCI Idle Line Detect | | ILIE |
| | • SCI Receiver Overrun | | RIE |
| | • SCI Receive Data Register Full | | RIE |
| FFD8, D9 | SPI Serial Transfer Complete | I Bit | SPIE |
| FFDA, DB | Pulse Accumulator Input Edge | I Bit | PAII |
| FFDC, DD | Pulse Accumulator Overflow | I Bit | PAOVI |
| FFDE, DF | Timer Overflow | I Bit | TOI |
| FFE0, E1 | Timer Input Capture 4/Output Compare 5 | I Bit | I4O5I |
| FFE3, E2 | Timer Output Compare 4 | I Bit | OC4I |
| FFE4, E5 | Timer Output Compare 3 | I Bit | OC3I |
| FFE6, E7 | Timer Output Compare 2 | I Bit | OC2I |
| FFE8, E9 | Timer Output Compare 1 | I Bit | OC1I |
| FFEA, EB | Timer Input Capture 3 | I Bit | IC3 |
| FFEC, ED | Timer Input Capture 2 | I Bit | IC2I |
| FFEE, EF | Timer Input Capture 1 | I Bit | IC1I |
| FFF0, F1 | Real-Time Interrupt | I Bit | RTII |
| FFF2, F3 | Parallel I/O Handshake | I Bit | STAI |
| | $\overline{\text{IRQ}}$ | | None |
| FFF4, F5 | $\overline{\text{XIRQ}}$ Pin | X Bit | None |
| FFF6, F7 | Software Interrupt | None | None |
| FFF8, F9 | Illegal Opcode Trap | None | None |
| FFFA, FB | COP Failure | None | NOCOP |
| FFFC, FD | COP Clock Monitor Fail | None | CME |
| FFFE, FF | RESET | None | None |

OPTION —System Configuration Options

\$1039

| | | | | | | | | |
|--------|-------|------|-------|------|-----|---|------|-------|
| | Bit 7 | 6 | 5 | 4 | 3 | 2 | 1 | Bit 0 |
| | ADPU | CSEL | IRQE* | DLY* | CME | 0 | CR1* | CR0* |
| RESET: | 0 | 0 | 0 | 1 | 0 | 0 | 0 | 0 |

*Can be written only once in first 64 cycles out of reset in normal modes, or any time in special modes.

ADPU —A/D Converter Power-up
Refer to **10 Analog-to-Digital Converter**.

CSEL —Clock Select
Refer to **10 Analog-to-Digital Converter**.

IRQE — $\overline{\text{IRQ}}$ Select Edge-Sensitive Only
0 = Low logic level recognition
1 = Falling edge recognition

DLY — Enable Oscillator Start-Up Delay on Exit from STOP
 0 = No stabilization delay on exit from STOP
 1 = Stabilization delay enabled on exit from STOP

CME — Clock Monitor Enable
 0 = Clock monitor disabled; slow clocks can be used
 1 = Slow or stopped clocks cause clock failure reset

CR1, CR0 — COP Timer Rate Select

| CR [1:0] | Divide $E/2^{15}$ By | XTAL = 4.0 Mhz Timeout –0/+32.8 ms | XTAL = 8.0 MHz Timeout –0/+16.4 ms | XTAL = 12.0 MHz Timeout –0/+10.9 ms |
|----------|----------------------------|--|--|---|
| 0 0 | 1 | 32.768 ms | 16.384 ms | 10.923 ms |
| 0 1 | 4 | 131.072 ms | 65.536 ms | 43.691 ms |
| 1 0 | 16 | 524.288 ms | 262.140 ms | 174.76 ms |
| 1 1 | 64 | 2.097 sec | 1.049 sec | 699.05 ms |
| | E = | 1.0 MHz | 2.0 MHz | 3.0 MHz |

COPRST — Arm/Reset COP Timer Circuitry

\$103A

| Bit 7 | 6 | 5 | 4 | 3 | 2 | 1 | Bit 0 |
|--------|---|---|---|---|---|---|-------|
| 7 | 6 | 5 | 4 | 3 | 2 | 1 | 0 |
| RESET: | 0 | 0 | 0 | 0 | 0 | 0 | 0 |

Write \$55 to COPRST to arm COP watchdog clearing mechanism. Write \$AA to COPRST to reset COP watchdog.

HPRIO — Highest Priority I-Bit Interrupt and Miscellaneous

\$103C

| Bit 7 | 6 | 5 | 4 | 3 | 2 | 1 | Bit 0 |
|--------|------|-----|-----|-------|-------|-------|-------|
| RBOOT | SMOD | MDA | IRV | PSEL3 | PSEL2 | PSEL1 | PSEL0 |
| RESET: | — | — | — | 0 | 1 | 0 | 1 |

RBOOT — Read Bootstrap ROM Bits 7–4

Refer to **2 Operating Modes and Memory Maps**.

SMOD — Special Mode Select

Refer to **2 Operating Modes and Memory Maps**.

MDA — Mode Select A

Refer to **2 Operating Modes and Memory Maps**.

IRV — Internal Read Visibility

Refer to **2 Operating Modes and Memory Maps**.

PSEL[3:0] — Priority Select Bits 3 through 0

Can be written only while the I bit in the CCR is set (interrupts disabled). These bits select one interrupt source to be elevated above all other I-bit related sources.

| PSEL[3:0] | Interrupt Source Promoted |
|-----------|---|
| 0000 | Timer Overflow |
| 0001 | Pulse Accumulator Overflow |
| 0010 | Pulse Accumulator Input Edge |
| 0011 | SPI Serial Transfer Complete |
| 0100 | SCI Serial System |
| 0101 | Reserved (Default to \overline{IRQ}) |
| 0110 | \overline{IRQ} |
| 0111 | Real-Time Interrupt |
| 1000 | Timer Input Capture 1 |
| 1001 | Timer Input Capture 2 |
| 1010 | Timer Input Capture 3 |
| 1011 | Timer Output Compare 1 |
| 1100 | Timer Output Compare 2 |
| 1101 | Timer Output Compare 3 |
| 1110 | Timer Output Compare 4 |
| 1111 | Timer Output Compare 5 |

CONFIG — COP, ROM, EEPROM Enables

\$103F

| | Bit 7 | 6 | 5 | 4 | 3 | 2 | 1 | Bit 0 |
|--------|-------|---|---|---|-------|-------|-------|-------|
| | 0 | 0 | 0 | 0 | NOSEC | NOCOP | ROMON | EEON |
| RESET: | 0 | 0 | 0 | 0 | — | — | — | — |

NOTE

The bits of this register are implemented with EEPROM cells. Programming and erasing follow normal EEPROM procedures. The erased state of CONFIG is \$0F. A new value is not readable until after a subsequent reset sequence. CONFIG can only be programmed or erased in special modes.

NOSEC — EEPROM Security Disable

Refer to **4 Electrically Erasable Programmable Read-Only Memory (EEPROM)**.

NOCOP — COP system disable

0 = COP enabled (forces reset on timeout)

1 = COP disabled (does not force reset on timeout)

ROMON — ROM Enable

Refer to **2 Operating Modes and Memory Maps**.

EEON — EEPROM Enable

Refer to **2 Operating Modes and Memory Maps**.

4 Electrically Erasable Programmable Read-Only Memory (EEPROM)

The 512 bytes of EEPROM in the MC68HC11A8 are located at \$B600 through \$B7FF. The EEON bit in CONFIG controls the presence or absence of the EEPROM in the memory map. When EEON = 1 (erased state), the EEPROM is enabled. When EEON = 0, the EEPROM is disabled and out of the memory map. EEON is reset to the value last programmed into CONFIG. An on-chip charge pump develops the high voltage required for programming and erasing. When the E clock is less than 1 MHz, select an internal clock. This drives the EEPROM charge pump by writing a one to the CSEL bit in the OPTION register.

The PPROG register controls the programming and erasing of the EEPROM. To erase the EEPROM, complete the following steps using the PPROG register:

1. Write to PPROG with the ERASE, EELAT, and appropriate BYTE and ROW bits set.
2. Write to the appropriate EEPROM address with any data. Row erase only requires a write to any location in the row. Bulk erase is accomplished by writing to any location in the array.
3. Write to PPROG with ERASE, EELAT, EEPGM, and the appropriate BYTE and ROW bits set.
4. Delay for 10 ms or more, as appropriate.
5. Clear the EEPGM bit in PPROG to turn off the high voltage.
6. Clear the PPROG register to reconfigure the EEPROM address and data buses for normal operation.

To program the EEPROM, complete the following steps using the PPROG register:

1. Write to PPROG with the EELAT bit set.
2. Write data to the desired address.
3. Write to PPROG with the EELAT and EEPGM bits set.
4. Delay for 10 ms or more, as appropriate.
5. Clear the EEPGM bit in PPROG to turn off the high voltage.
6. Clear the PPROG register to reconfigure the EEPROM address and data buses for normal operation.

PPROG — EEPROM Programming Control

\$103B

| | Bit 7 | 6 | 5 | 4 | 3 | 2 | 1 | Bit 0 |
|--------|-------|------|---|------|-----|-------|-------|-------|
| | ODD | EVEN | 0 | BYTE | ROW | ERASE | EELAT | EEPGM |
| RESET: | 0 | 0 | 0 | 0 | 0 | 0 | 0 | 0 |

ODD — Program Odd Rows in Half of EEPROM (TEST)

EVEN — Program Even Rows in Half of EEPROM (TEST)

BYTE — Byte/Other EEPROM Erase Mode

The BYTE bit overrides the ROW bit.

0 = Row or bulk erase mode is used

1 = Erase only one byte of EEPROM

ROW — Row/All EEPROM Erase Mode

The ROW bit is only valid when BYTE = 0.

0 = All 512 bytes of EEPROM are erased

1 = Erase only one 16-byte row of EEPROM

| BYTE | ROW | Action |
|------|-----|----------------------------|
| 0 | 0 | Bulk Erase (All 512 Bytes) |
| 0 | 1 | Row Erase (16 Bytes) |
| 1 | 0 | Byte Erase |
| 1 | 1 | Byte Erase |

ERASE — Erase/Normal Control for EEPROM

0 = Normal read or program mode

1 = Erase mode

EELAT — EEPROM Latch Control

0 = EEPROM address and data bus configured for normal reads

1 = EEPROM address and data bus configured for programming or erasing

EEPGM — EEPROM Program Command

0 = Programming or erase voltage switched off to EEPROM array

1 = Programming or erase voltage switched on to EEPROM array

CONFIG — COP, ROM, EEPROM Enables

\$103F

| | Bit 7 | 6 | 5 | 4 | 3 | 2 | 1 | Bit 0 |
|--------|-------|---|---|---|-------|-------|-------|-------|
| | 0 | 0 | 0 | 0 | NOSEC | NOCOP | ROMON | EEON |
| RESET: | 0 | 0 | 0 | 0 | — | — | — | — |

NOTE

The bits of this register are implemented with EEPROM cells. Programming and erasing follow normal EEPROM procedures. The erased state of CONFIG is \$0F. A new value is not readable until after a subsequent reset sequence. CONFIG can only be programmed or erased in special modes.

NOSEC — EEPROM Security Disable

NOSEC has no meaning unless the security mask option was specified before the MCU was manufactured.

0 = Security enabled (available as a mask option on MC68HC11A8 only)

1 = Security disabled

NOCOP — COP system disable

Refer to **3 Resets and Interrupts**.

ROMON — ROM Enable

Refer to **2 Operating Modes and Memory Maps**.

EEON — EEPROM Enable

0 = EEPROM is removed from the memory map

1 = EEPROM is present in the memory map

5 Parallel Input/Output

The MC68HC11A8 has up to 38 input/output lines, depending on the operating mode. Port A has three input-only pins, four output-only pins, and one bidirectional I/O pin. Port A shares functions with the timer system.

Port B is an 8-bit output-only port in single-chip modes and is the high-order address in expanded modes.

Port C is an 8-bit bidirectional port in single-chip modes and the multiplexed address and data bus in expanded modes.

Port D is a 6-bit bidirectional port that shares functions with the serial systems.

Port E is an 8-bit input-only port that shares functions with the A/D system.

Simple and full handshake input and output functions are available on ports B and C lines in single-chip mode. A description of the handshake functions follows.

In port B simple strobed output mode, the STRB output is pulsed for two E-clock periods each time there is a write to the PORTB register. The INVB bit in the PIOC register controls the polarity of STRB pulses.

In port C simple strobed input mode, port C levels are latched into the alternate port C latch (PORTCL) register on each assertion of the STRA input. STRA edge select, flag and interrupt enable bits are located in the PIOC register. Any or all of the port C lines can still be used as general purpose I/O while in strobed input mode.

Port C full handshake mode involves port C pins and the STRA and STRB lines. Input and output handshake modes are supported, and output handshake mode has a three-stated variation. STRA is an edge detecting input, and STRB is a handshake output. Control and enable bits are located in the PIOC register.

In full input handshake mode, the MCU uses STRB as a “ready” line to an external system. Port C logic levels are latched into PORTCL when the STRA line is asserted by the external system. The MCU then negates STRB. The MCU reasserts STRB after the PORTCL register is read. A mix of latched inputs, static inputs, and static outputs is allowed on port C, differentiated by the data direction bits and use of the PORTC and PORTCL registers.

In full output handshake mode, the MCU writes data to PORTCL, which in turn asserts the STRB output to indicate that data is ready. The external system reads port C (the STRB output) and asserts the STRA input to acknowledge that data has been received.

In the three-state variation of output handshake mode, lines intended as three-state handshake outputs are configured as inputs by clearing the corresponding DDRC bits. The MCU writes data to PORTCL and asserts STRB. The external system responds by activating the STRA input, which forces the MCU to drive the data in PORTCL out on all of the port C lines. This mode variation does not allow part of port C to be used for static inputs while other port C pins are being used for handshake outputs. Refer to the PIOC register description.

PORTA — Port A Data**\$1000**

| | Bit 7 | 6 | 5 | 4 | 3 | 2 | 1 | Bit 0 |
|-----------------|-------|-----|-----|-----|-----|-----|-----|-------|
| | PA7 | PA6 | PA5 | PA4 | PA3 | PA2 | PA1 | PA0 |
| RESET: | HiZ | 0 | 0 | 0 | 0 | HiZ | HiZ | HiZ |
| Alt. Pin Func.: | PAI | OC2 | OC3 | OC4 | OC5 | IC1 | IC2 | IC3 |
| And/or: | OC1 | OC1 | OC1 | OC1 | OC1 | — | — | — |

PIOC — Parallel I/O Control**\$1002**

| | Bit 7 | 6 | 5 | 4 | 3 | 2 | 1 | Bit 0 |
|--------|-------|------|------|------|-----|-----|-----|-------|
| | STAF | STAI | CWOM | HNDS | OIN | PLS | EGA | INVB |
| RESET: | 0 | 0 | 0 | 0 | 0 | U | 1 | 1 |

STAF — Strobe A Interrupt Status Flag

Set when selected edge occurs on Strobe A. Cleared by PIOC read with STAF set followed by PORTCL read (simple strobed or full input handshake mode) or PORTCL write (output handshake mode).

STAI — Strobe A Interrupt Enable Mask

0 = STAF interrupts disabled
1 = STAF interrupts enabled

CWOM — Port C Wire-OR Mode (affects all eight port C pins)

0 = Port C outputs are normal CMOS outputs
1 = Port C outputs are open-drain outputs

HNDS — Handshake Mode

0 = Simple strobe mode
1 = Full input or output handshake mode

OIN — Output or Input Handshake Select

HNDS must be set to one for this bit to have meaning.
0 = Input handshake
1 = Output handshake

PLS — Pulse/Interlocked Handshake Operation

HNDS must be set to one for this bit to have meaning.
0 = Interlocked handshake
1 = Pulsed handshake (strobe B pulses high for two E-clock cycles)

EGA — Active Edge for Strobe A

0 = STRA falling edge selected
1 = STRA rising edge selected

INVB — Invert Strobe B

0 = Active level is logic zero
1 = Active level is logic one

Table 5 Parallel I/O Control

| | STAF Clearing Sequence | HNDS | OIN | PLS | EGA | Port C | Port B |
|-----------------------|--|-------------|------------|--|------------|---|---|
| Simple strobed mode | Read PIOC with STAF=1 then read PORTCL | 0 | X | X | | Inputs latched into PORTCL on any active edge on STRA | STRB pulses on writes to port B |
| Full input handshake | Read PIOC with STAF=1 then read PORTCL | 1 | 0 | 0 = STRB active level 1 = STRB active pulse | | Inputs latched into PORTCL on any active edge on STRA | Normal output port, unaffected in handshake modes |
| Full output handshake | Read PIOC with STAF=1 then write to PORTCL | 1 | 1 | 0 = STRB active level 1 = STRB active pulse | | Driven as outputs if STRA at active level, follows DDRC if STRA not at active level | Normal output port, unaffected in handshake modes |

PORTC — Port C Data

\$1003

| | Bit 7 | 6 | 5 | 4 | 3 | 2 | 1 | Bit 0 |
|------------------|-----------------|-----------------|-----------------|-----------------|-----------------|-----------------|-----------------|-----------------|
| | PC7 | PC6 | PC5 | PC4 | PC3 | PC2 | PC1 | PC0 |
| S. Chip or Boot: | PC7 | PC6 | PC5 | PC4 | PC3 | PC2 | PC1 | PC0 |
| RESET: | 0 | 0 | 0 | 0 | 0 | 0 | 0 | 0 |
| Expan. or Test: | ADDR7/ DATA7 | ADDR6/ DATA6 | ADDR5/ DATA5 | ADDR4/ DATA4 | ADDR3/ DATA3 | ADDR2/ DATA2 | ADDR1/ DATA1 | ADDR0/ DATA0 |

NOTE

In single chip and boot modes, port C pins reset to high impedance inputs (DDRC registers are set to zero). In expanded and special test modes, port C is a multiplexed address/data bus and the port C register address is treated as an external memory location.

PORTB — Port B Data

\$1004

| | Bit 7 | 6 | 5 | 4 | 3 | 2 | 1 | Bit 0 |
|------------------|--------|--------|--------|--------|--------|--------|-------|-------|
| | PB7 | PB6 | PB5 | PB4 | PB3 | PB2 | PB1 | PB0 |
| S. Chip or Boot: | PB7 | PB6 | PB5 | PB4 | PB3 | PB2 | PB1 | PB0 |
| RESET: | 0 | 0 | 0 | 0 | 0 | 0 | 0 | 0 |
| Expan. or Test: | ADDR15 | ADDR14 | ADDR13 | ADDR12 | ADDR11 | ADDR10 | ADDR9 | ADDR8 |

PORTCL — Port C Latched

\$1005

| | Bit 7 | 6 | 5 | 4 | 3 | 2 | 1 | Bit 0 |
|--------|-------|------|------|------|------|------|------|-------|
| | PCL7 | PCL6 | PCL5 | PCL4 | PCL3 | PCL2 | PCL1 | PCL0 |
| RESET: | U | U | U | U | U | U | U | U |

Writes affect port C pins. PORTCL is used in the handshake clearing mechanism. When an active edge occurs on the STRA pin, port C data is latched into the PORTCL register.

DDRC — Data Direction Register for Port C **\$1007**

| | Bit 7 | 6 | 5 | 4 | 3 | 2 | 1 | Bit 0 |
|--|-------|------|------|------|------|------|------|-------|
| | DDC7 | DDC6 | DDC5 | DDC4 | DDC3 | DDC2 | DDC1 | DDC0 |

RESET: 0 0 0 0 0 0 0 0

DDC[7:0] — Data Direction Register for Port C

0 = Input
1 = Output

PORTD — Port D Data **\$1008**

| | Bit 7 | 6 | 5 | 4 | 3 | 2 | 1 | Bit 0 |
|--|-------|---|-----|-----|-----|-----|-----|-------|
| | 0 | 0 | PD5 | PD4 | PD3 | PD2 | PD1 | PD0 |

RESET: 0 0 0 0 0 0 0 0

Alt. Pin Func.: — — \overline{SS} SCK MOSI MISO TxD RxD

DDRD — Data Direction Register for Port D **\$1009**

| | Bit 7 | 6 | 5 | 4 | 3 | 2 | 1 | Bit 0 |
|--|-------|---|------|------|------|------|------|-------|
| | 0 | 0 | DDD5 | DDD4 | DDD3 | DDD2 | DDD1 | DDD0 |

RESET: 0 0 0 0 0 0 0 0

Alt. Pin Func.: — — PD5/ \overline{SS} PD4/SCK PD3/MOSI PD2/MISO PD1/TxD PD0/RxD

DDD[5:0] — Data Direction for Port D

0 = Input
1 = Output

PORTE — Port E Data **\$100A**

| | Bit 7 | 6 | 5 | 4 | 3 | 2 | 1 | Bit 0 |
|--|-------|-----|-----|-----|-----|-----|-----|-------|
| | PE7 | PE6 | PE5 | PE4 | PE3 | PE2 | PE1 | PE0 |

RESET: U U U U U U U U

Alt. Pin Func.: AN7 AN6 AN5 AN4 AN3 AN2 AN1 AN0

PACTL — Pulse Accumulator Control **\$1026**

| | Bit 7 | 6 | 5 | 4 | 3 | 2 | 1 | Bit 0 |
|--|-------|------|-------|-------|---|---|------|-------|
| | DDRA7 | PAEN | PAMOD | PEDGE | 0 | 0 | RTR1 | RTR0 |

RESET: 0 0 0 0 0 0 0 0

DDRA7 — Data Direction for Port A Bit 7

0 = Input
1 = Output

PAEN — Pulse Accumulator System Enable
Refer to **9 Pulse Accumulator**.

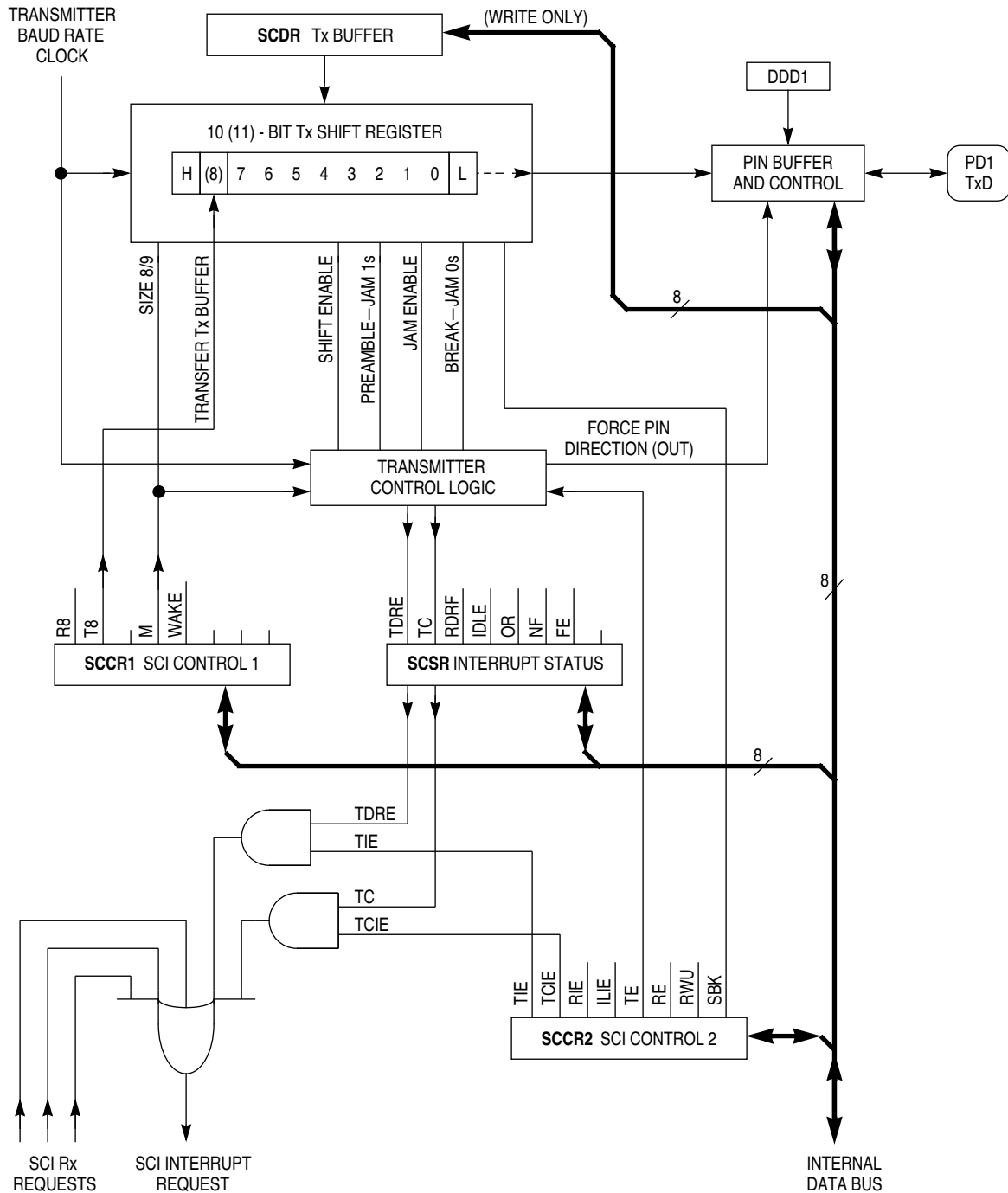
PAMOD — Pulse Accumulator Mode
Refer to **9 Pulse Accumulator**.

PEDGE — Pulse Accumulator Edge Control
Refer to **9 Pulse Accumulator**.

RTR1, RTR0 — Real-Time Interrupt Rate
Refer to **8 Main Timer**.

6 Serial Communications Interface (SCI)

The SCI, a universal asynchronous receiver transmitter (UART) serial communications interface, is one of two independent serial I/O subsystems in the MC68HC11A8. It has a standard NRZ format (one start, eight or nine data, and one stop bit) and several baud rates available. The SCI transmitter and receiver are independent, but use the same data format and bit rate.



11 SCI TX BLOCK

Figure 6 SCI Transmitter Block Diagram

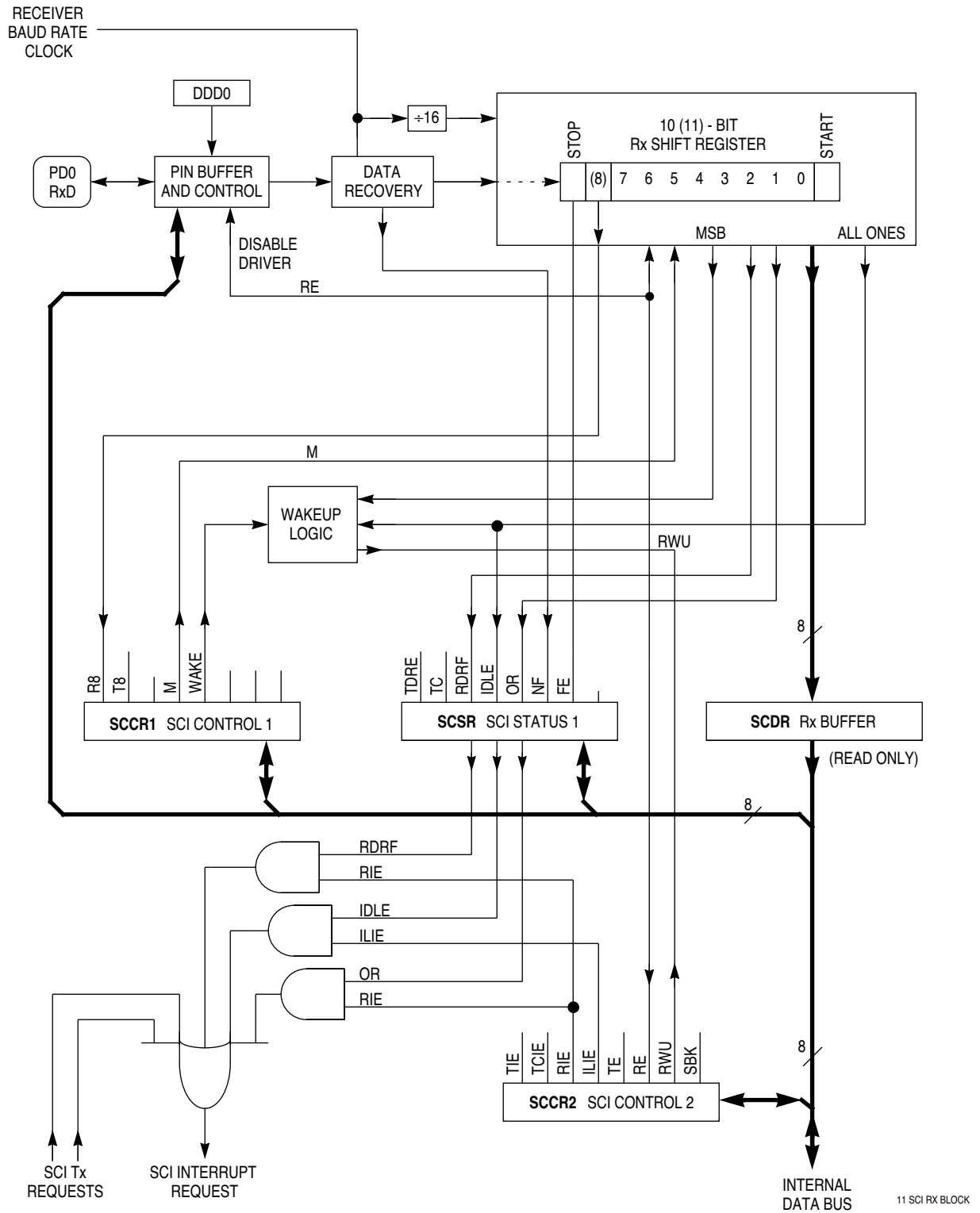


Figure 7 SCI Receiver Block Diagram

BAUD — Baud Rate**\$102B**

| | | | | | | | | |
|--------|-------|---|------|------|------|------|------|-------|
| | Bit 7 | 6 | 5 | 4 | 3 | 2 | 1 | Bit 0 |
| | TCLR | 0 | SCP1 | SCP0 | RCKB | SCR2 | SCR1 | SCR0 |
| RESET: | 0 | 0 | 0 | 0 | 0 | U | U | U |

TCLR — Clear Baud Rate Counters (TEST)

SCP1, SCP0 — SCI Baud Rate Prescaler Selects

| SCP[1:0] | Divide Internal Clock By | Crystal Frequency in MHz | | | |
|----------|--------------------------|--------------------------|----------------|-----------------|-----------------|
| | | 4.0 MHz (Baud) | 8.0 MHz (Baud) | 10.0 MHz (Baud) | 12.0 MHz (Baud) |
| 00 | 1 | 62.50K | 125.0K | 156.25K | 187.5K |
| 01 | 3 | 20.83K | 41.67K | 52.08K | 62.5K |
| 10 | 4 | 15.625K | 31.25K | 38.4K | 46.88K |
| 11 | 13 | 4800 | 9600 | 12.02K | 14.42K |

RCKB — SCI Baud Rate Clock Check (TEST)

SCR2, SCR1, and SCR0 — SCI Baud Rate Selects

Selects receiver and transmitter bit rate based on output from baud rate prescaler stage.

| SCP[2:0] | Divide Prescaler By | Highest Baud Rate (Prescaler Output from Previous Table) | | |
|----------|---------------------|--|------|-------|
| | | 4800 | 9600 | 38.4K |
| 000 | 1 | 4800 | 9600 | 38.4K |
| 001 | 2 | 2400 | 4800 | 19.2K |
| 010 | 4 | 1200 | 2400 | 9600 |
| 011 | 8 | 600 | 1200 | 4800 |
| 100 | 16 | 300 | 600 | 2400 |
| 101 | 32 | 150 | 300 | 1200 |
| 110 | 64 | — | 150 | 600 |
| 111 | 128 | — | — | 300 |

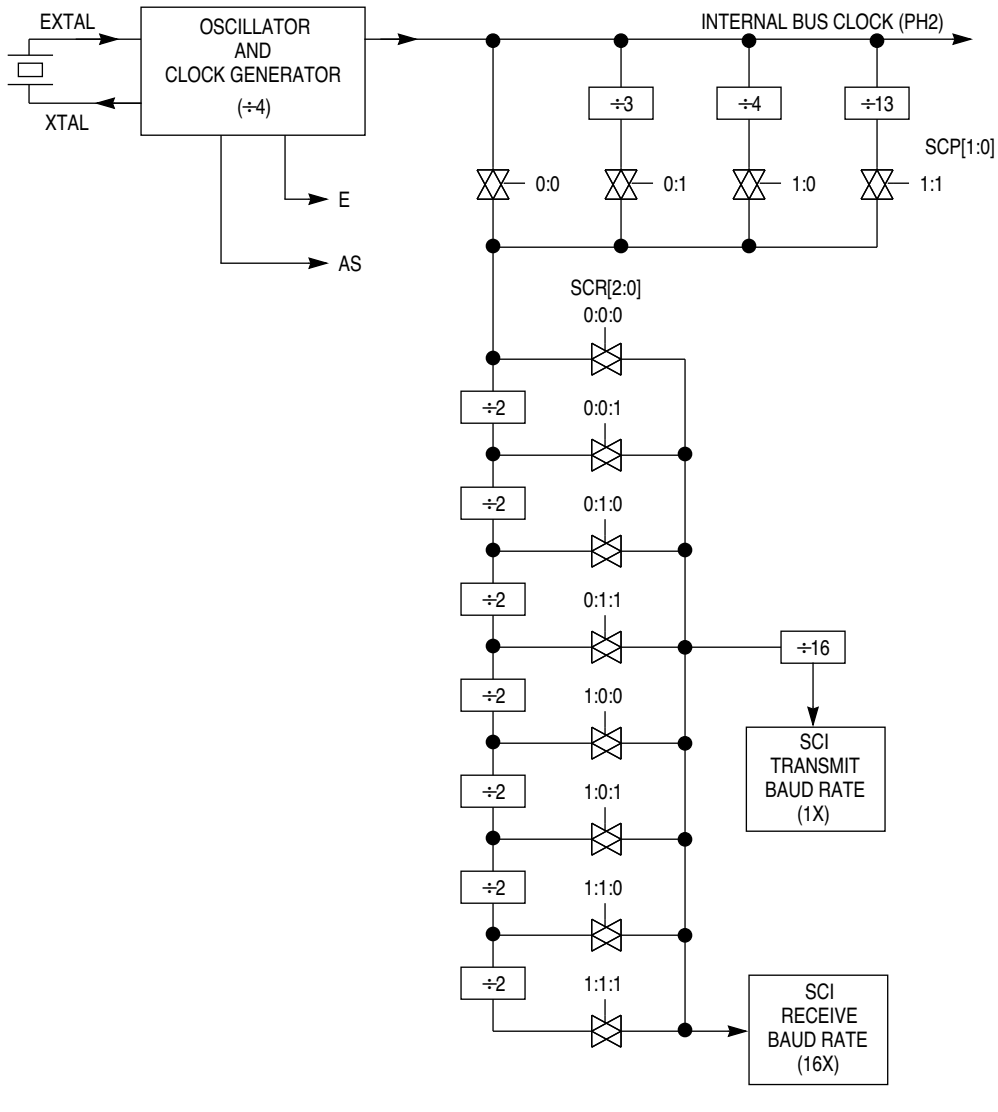


Figure 8 SCI Baud Rate Diagram

SCCR1 — SCI Control Register 1

\$102C

| Bit 7 | 6 | 5 | 4 | 3 | 2 | 1 | Bit 0 |
|----------|----|---|---|------|---|---|-------|
| R8 | T8 | 0 | M | WAKE | 0 | 0 | 0 |
| RESET: U | U | 0 | 0 | 0 | 0 | 0 | 0 |

R8 — Receive Data Bit 8

If M bit is set, R8 stores ninth bit in receive data character.

T8 — Transmit Data Bit 8

If M bit is set, T8 stores ninth bit in transmit data character.

M — Mode (Select Character Format)

0 = Start bit, 8 data bits, 1 stop bit

1 = Start bit, 9 data bits, 1 stop bit

WAKE — Wake Up by Address Mark/Idle
 0 = Wake up by IDLE line recognition
 1 = Wake up by address mark (most significant data bit set)

SCCR2 — SCI Control Register 2 **\$102D**

| | Bit 7 | 6 | 5 | 4 | 3 | 2 | 1 | Bit 0 |
|--------|-------|------|-----|------|----|----|-----|-------|
| | TIE | TCIE | RIE | ILIE | TE | RE | RWU | SBK |
| RESET: | 0 | 0 | 0 | 0 | 0 | 0 | 0 | 0 |

TIE — Transmit Interrupt Enable
 0 = TDRE interrupts disabled
 1 = SCI interrupt requested when TDRE status flag is set

TCIE — Transmit Complete Interrupt Enable
 0 = TC interrupts disabled
 1 = SCI interrupt requested if TC is set to one

RIE — Receiver Interrupt Enable
 0 = RDRF and OR interrupts disabled
 1 = SCI interrupt requested when RDRF flag or the OR status flag is set

ILIE — Idle Line Interrupt Enable
 0 = IDLE interrupts disabled
 1 = SCI interrupt requested when IDLE status flag is set

TE — Transmitter Enable
 0 = Transmitter disabled
 1 = Transmitter enabled

RE — Receiver Enable
 0 = Receiver disabled
 1 = Receiver enabled

RWU — Receiver Wake Up Control
 0 = Normal SCI receiver
 1 = Wake up enabled and receiver interrupts inhibited

SBK — Send Break
 0 = Break generator off
 1 = Break codes generated as long as SBK is set to one

SCSR — SCI Status Register **\$102E**

| | Bit 7 | 6 | 5 | 4 | 3 | 2 | 1 | Bit 0 |
|--------|-------|----|------|------|----|----|----|-------|
| | TDRE | TC | RDRF | IDLE | OR | NF | FE | 0 |
| RESET: | 1 | 1 | 0 | 0 | 0 | 0 | 0 | 0 |

TDRE — Transmit Data Register Empty Flag
 Set if transmit data can be written to SCDR; if TDRE is zero, transmit data register is busy. Cleared by SCSR read with TDRE set followed by SCDR write.

TC — Transmit Complete Flag
 Set if transmitter is idle (no data, preamble, or break transmission in progress). Cleared by SCSR read with TC set followed by SCDR write.

RDRF — Receive Data Register Full Flag

Set if a received character is ready to be read from SCDR. Cleared by SCSR read with RDRF set followed by SCDR read.

IDLE — Idle Line Detected Flag

Set if the RxD line is idle. IDLE flag is inhibited when RWU is set to one. Cleared by SCSR read with IDLE set followed by SCDR read. Once cleared, IDLE is not set again until the RxD line has been active and becomes idle again.

OR — Overrun Error Flag

Set if a new character is received before a previously received character is read from SCDR. Cleared by SCSR read with OR set followed by SCDR read.

NF — Noise Error Flag

Set if majority sample logic detects anything other than a unanimous decision. Cleared by SCSR read with NF set followed by SCDR read.

FE — Framing Error

Set if a zero is detected where a stop bit was expected. Cleared by SCSR read with FE set followed by SCDR read.

SCDR — SCI Data Register

\$102F

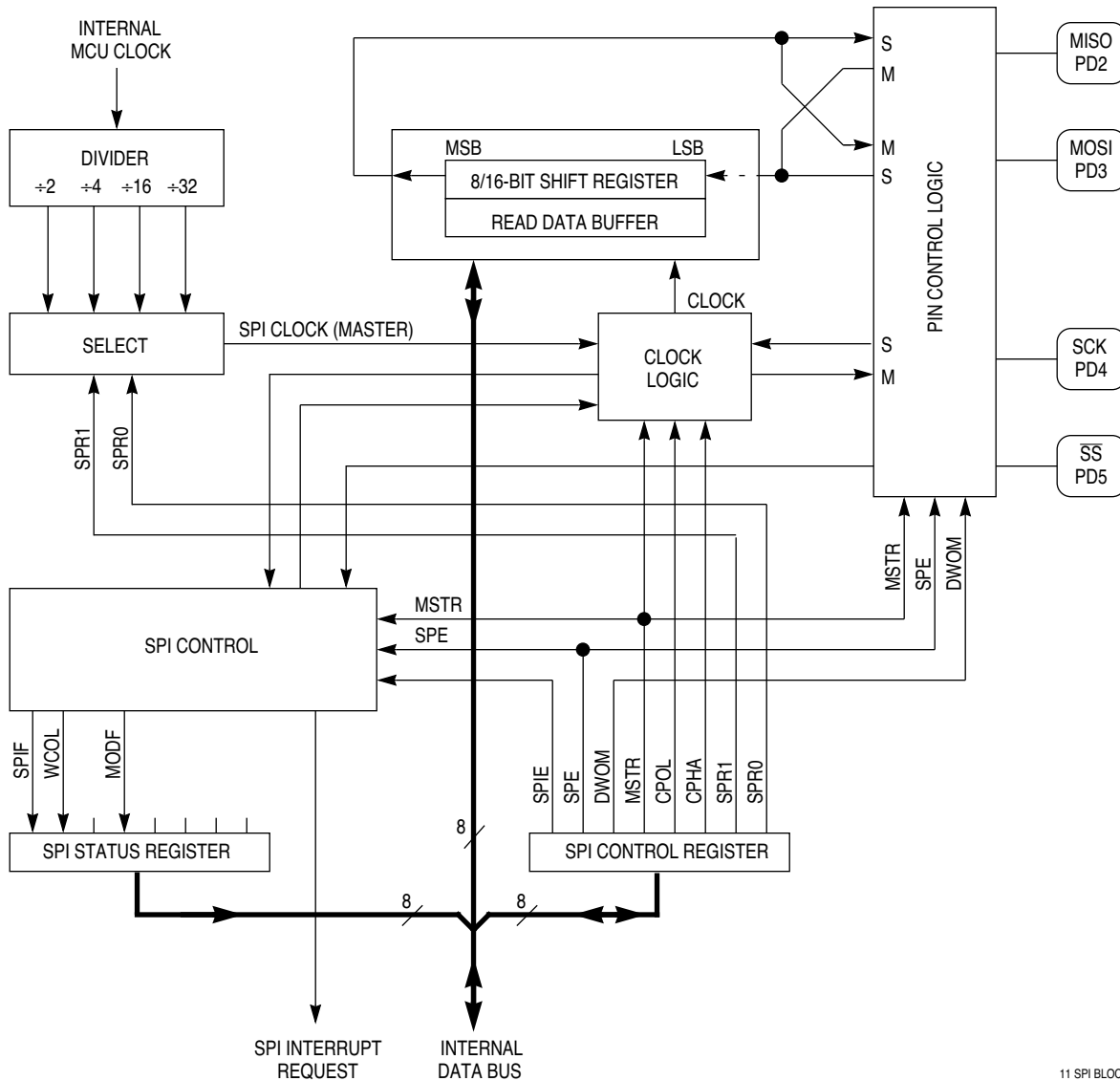
| | Bit 7 | 6 | 5 | 4 | 3 | 2 | 1 | Bit 0 |
|--------|-------|-------|-------|-------|-------|-------|-------|-------|
| | R7/T7 | R6/T6 | R5/T5 | R4/T4 | R3/T3 | R2/T2 | R1/T1 | R0/T0 |
| RESET: | U | U | U | U | U | U | U | U |

NOTE

Receive and transmit are double buffered. Reads access the receive data buffer and writes access the transmit data buffer.

7 Serial Peripheral Interface (SPI)

The SPI is one of two independent serial communications subsystems that allow the MCU to communicate synchronously with peripheral devices and other microprocessors. Data rates can be as high as one half of the E-clock rate when configured as master, and as fast as the E clock when configured as slave.



11 SPI BLOCK

Figure 9 SPI Block Diagram

DDRD — Data Direction Register for Port D

\$1009

| | Bit 7 | 6 | 5 | 4 | 3 | 2 | 1 | Bit 0 |
|-----------------|-------|---|------------|-------------|--------------|--------------|-------------|-------------|
| | 0 | 0 | DDD5 | DDD4 | DDD3 | DDD2 | DDD1 | DDD0 |
| RESET: | 0 | 0 | 0 | 0 | 0 | 0 | 0 | 0 |
| Alt. Pin Func.: | — | — | PD5/ SS | PD4/ SCK | PD3/ MOSI | PD2/ MISO | PD1/ TxD | PD0/ RxD |

DDD[5:0] — Data Direction for Port D

When DDRD bit 5 is zero and MSTR = 1 in SPCR, PD5/ \overline{SS} is a general-purpose output and mode fault logic is disabled.

- 0 = Input
- 1 = Output

SPCR — Serial Peripheral Control Register

\$1028

| | Bit 7 | 6 | 5 | 4 | 3 | 2 | 1 | Bit 0 |
|--------|-------|-----|------|------|------|------|------|-------|
| | SPIE | SPE | DWOM | MSTR | CPOL | CPHA | SPR1 | SPR0 |
| RESET: | 0 | 0 | 0 | 0 | 0 | 1 | U | U |

SPIE — Serial Peripheral Interrupt Enable

- 0 = SPI interrupts disabled
- 1 = SPI interrupts enabled

SPE — Serial Peripheral System Enable

- 0 = SPI off
- 1 = SPI on

DWOM — Port D Wired-OR Mode

DWOM affects all six port D pins.

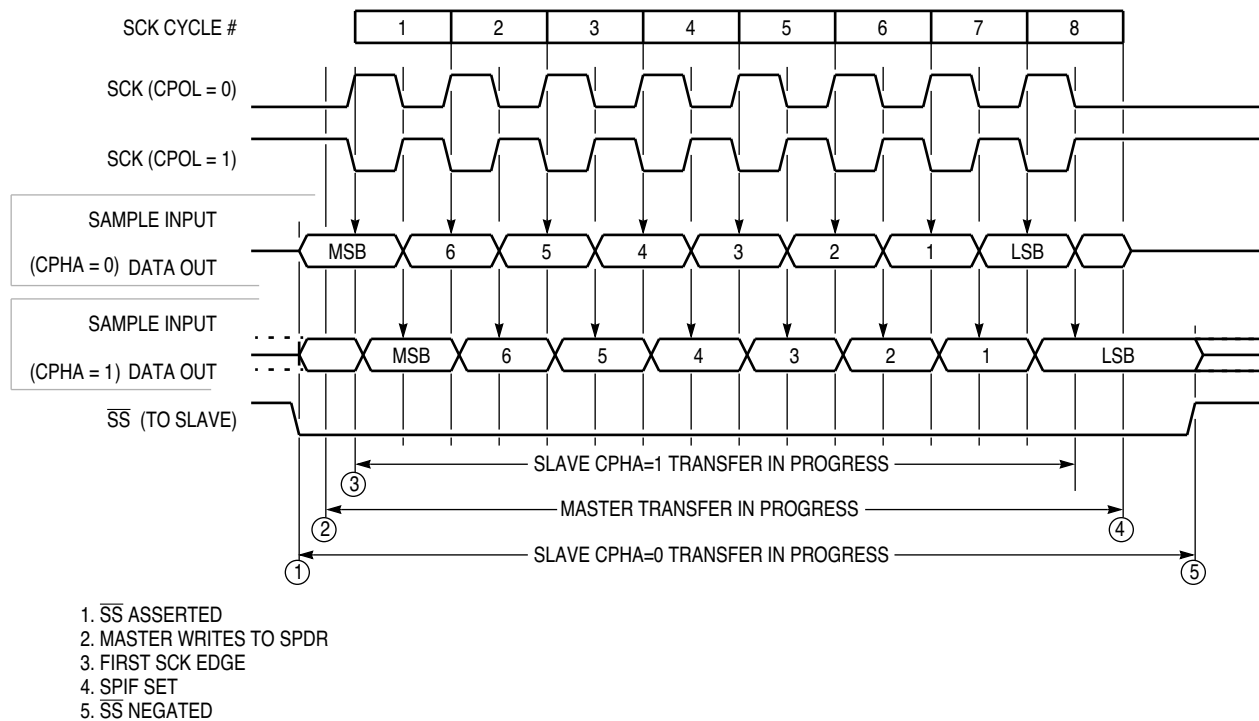
- 0 = Normal CMOS outputs
- 1 = Open-drain outputs

MSTR — Master Mode Select

- 0 = Slave mode
- 1 = Master mode

CPOL, CPHA — Clock Polarity, Clock Phase

Refer to Figure 10



SPI TRANSFER FORMAT

Figure 10 SPI Transfer Format

SPR1 and SPR0 — SPI Clock Rate Selects

| SPR [1:0] | E-Clock Divide By | Frequency at E = 2 MHz (Baud) |
|-----------|-------------------|-------------------------------|
| 00 | 2 | 1.0 MHz |
| 01 | 4 | 500 kHz |
| 10 | 16 | 125 kHz |
| 11 | 32 | 62.5 kHz |

SPSR — Serial Peripheral Status Register

\$1029

| | Bit 7 | 6 | 5 | 4 | 3 | 2 | 1 | Bit 0 |
|--------|-------|------|---|------|---|---|---|-------|
| | SPIF | WCOL | 0 | MODF | 0 | 0 | 0 | 0 |
| RESET: | 0 | 0 | 0 | 0 | 0 | 0 | 0 | 0 |

SPIF — SPI Transfer Complete Flag

Set when an SPI transfer is complete. Cleared by reading SPSR with SPIF set followed by SPDR access.

WCOL — Write Collision

Set when SPDR is written while transfer is in progress. Cleared by SPSR with WCOL set followed by SPDR access.

MODF — Mode Fault (A Mode Fault Terminates SPI Operation)

Set when \overline{SS} is pulled low while MSTR = 1. Cleared by SPSR read with MODF set followed by SPCR write.

SPDR — SPI Data Register

\$102A

| Bit 7 | 6 | 5 | 4 | 3 | 2 | 1 | Bit 0 |
|-------|---|---|---|---|---|---|-------|
| Bit 7 | 6 | 5 | 4 | 3 | 2 | 1 | Bit 0 |

NOTE

SPI is double buffered in, single buffered out.

8 Main Timer

The main timer is based on a free-running 16-bit counter with a four-stage programmable prescaler. A timer overflow function allows software to extend the system's timing capability beyond the counter's 16-bit range.

The timer has three channels of input capture and five channels of output compare.

Refer to the following table for a summary of crystal-related frequencies and periods.

Table 6 Timer Summary

| Control Bits | XTAL Frequencies | | | |
|--------------------------------|--------------------------------|--------------------------|----------------------------|--------------------------------|
| | 4.0 MHz | 8.0 MHz | 12.0 MHz | Other Rates |
| | 1.0 MHz | 2.0 MHz | 3.0 MHz | (E) |
| | 1000 ns | 500 ns | 333 ns | (1/E) |
| PR[1:0] | Main Timer Count Rates | | | |
| 0 0 1 count — overflow — | 1.0 μ s 65.536 ms | 500 ns 32.768 ms | 333 ns 21.845 ms | (E/1) (E/2 ¹⁶) |
| 0 1 1 count — overflow — | 4.0 μ s 262.14 ms | 2.0 μ s 131.07 ms | 1.333 μ s 87.381 ms | (E/4) (E/2 ¹⁸) |
| 1 0 1 count — overflow — | 8.0 μ s 524.29 ms | 4.0 μ s 262.14 ms | 2.667 μ s 174.76 ms | (E/8) (E/2 ¹⁹) |
| 1 1 1 count — overflow — | 16.0 μ s 1.049 s | 8.0 μ s 524.29 ms | 5.333 μ s 349.52 ms | (E/16) (E/2 ²⁰) |
| RTR[1:0] | Periodic (RTI) Interrupt Rates | | | |
| 0 0 | 8.192 ms | 4.096 ms | 2.731 ms | (E/2 ¹³) |
| 0 1 | 16.384 ms | 8.192 ms | 5.461 ms | (E/2 ¹⁴) |
| 1 0 | 32.768 ms | 16.384 ms | 10.923 ms | (E/2 ¹⁵) |
| 1 1 | 65.536 ms | 32.768 ms | 21.845 ms | (E/2 ¹⁶) |

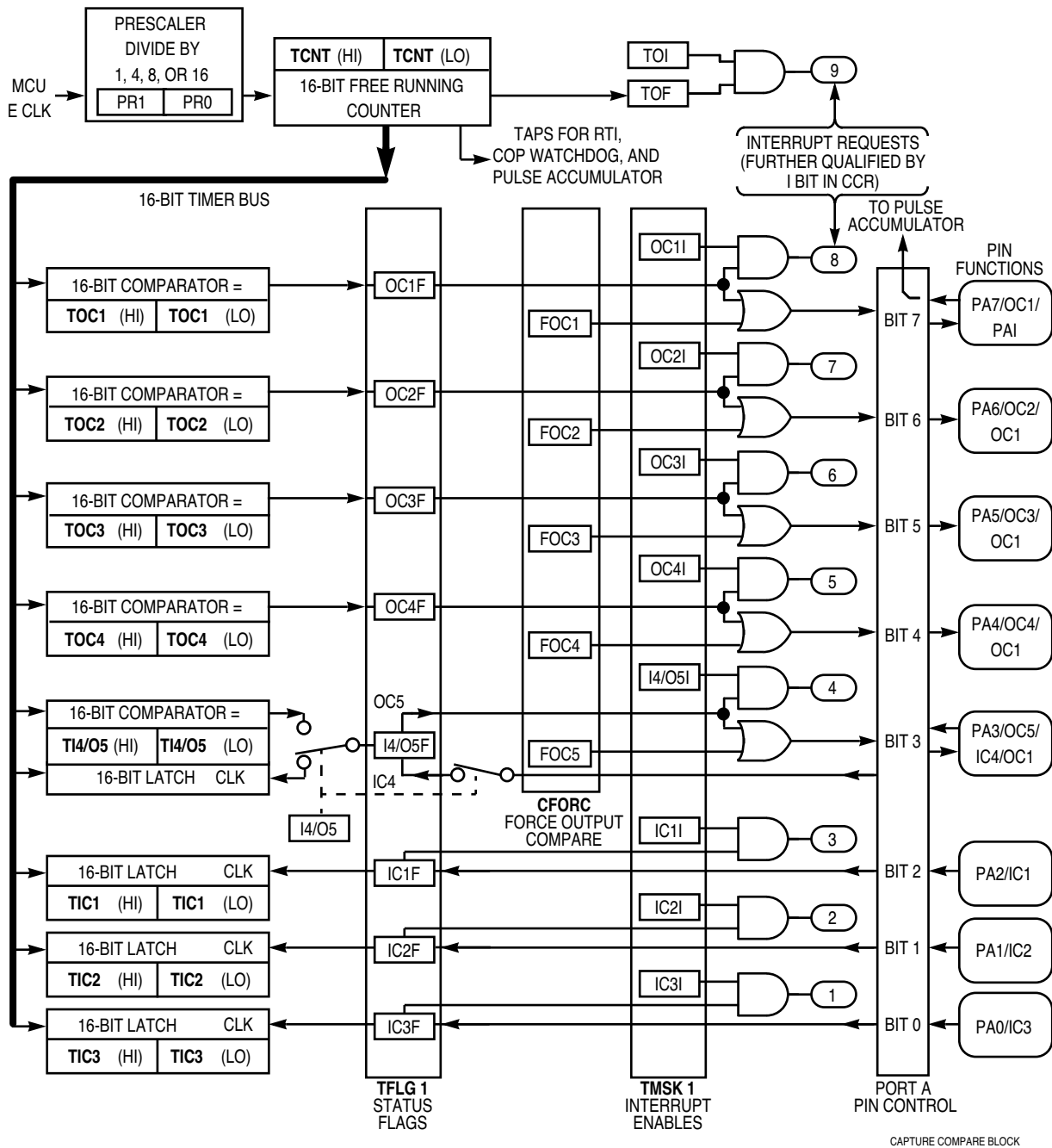


Figure 11 Main Timer

NOTE: Port A pin actions are controlled by OC1M, OC1D, PACTL, TCTL1, and TCTL2 registers.

CFORC — Timer Compare Force**\$100B**

| | Bit 7 | 6 | 5 | 4 | 3 | 2 | 1 | Bit 0 |
|--------|-------|------|------|------|------|---|---|-------|
| | FOC1 | FOC2 | FOC3 | FOC4 | FOC5 | 0 | 0 | 0 |
| RESET: | 0 | 0 | 0 | 0 | 0 | 0 | 0 | 0 |

FOC5–FOC1 — Write ones to Force Compare(s)

0 = Not affected

1 = Output compare x action occurs, but OCxF flag bit not set

OC1M — Output Compare 1 Mask**\$100C**

| | Bit 7 | 6 | 5 | 4 | 3 | 2 | 1 | Bit 0 |
|--------|-------|-------|-------|-------|-------|---|---|-------|
| | OC1M7 | OC1M6 | OC1M5 | OC1M4 | OC1M3 | 0 | 0 | 0 |
| RESET: | 0 | 0 | 0 | 0 | 0 | 0 | 0 | 0 |

Set bit(s) to enable OC1 to control corresponding pin(s) of port A.

OC1D — Output Compare 1 Data**\$100D**

| | Bit 7 | 6 | 5 | 4 | 3 | 2 | 1 | Bit 0 |
|--------|-------|-------|-------|-------|-------|---|---|-------|
| | OC1D7 | OC1D6 | OC1D5 | OC1D4 | OC1D3 | 0 | 0 | 0 |
| RESET: | 0 | 0 | 0 | 0 | 0 | 0 | 0 | 0 |

If OC1Mx is set, data in OC1Dx is output to port A bit x on successful OC1 compares.

TCNT — Timer Counter**\$100E, \$100F**

| | | | | | | | | | | |
|--------|--------|----|----|----|----|----|---|-------|------|-------------|
| \$100E | Bit 15 | 14 | 13 | 12 | 11 | 10 | 9 | Bit 8 | High | TCNT |
| | Bit 7 | 6 | 5 | 4 | 3 | 2 | 1 | Bit 0 | | |

TCNT resets to \$0000. In normal modes, TCNT is read-only.

TIC1–TIC3 — Timer Input Capture**\$1010–\$1015**

| | | | | | | | | | | |
|--------|--------|----|----|----|----|----|---|-------|------|-------------|
| \$1010 | Bit 15 | 14 | 13 | 12 | 11 | 10 | 9 | Bit 8 | High | TIC1 |
| \$1011 | Bit 7 | 6 | 5 | 4 | 3 | 2 | 1 | Bit 0 | Low | |
| \$1012 | Bit 15 | 14 | 13 | 12 | 11 | 10 | 9 | Bit 8 | High | TIC2 |
| \$1013 | Bit 7 | 6 | 5 | 4 | 3 | 2 | 1 | Bit 0 | Low | |
| \$1014 | Bit 15 | 14 | 13 | 12 | 11 | 10 | 9 | Bit 8 | High | TIC3 |
| \$1015 | Bit 7 | 6 | 5 | 4 | 3 | 2 | 1 | Bit 0 | Low | |

TICx not affected by reset.

TOC1–TOC5 — Timer Output Compare

\$1016–\$101F

| | | | | | | | | | | |
|--------|--------|----|----|----|----|----|---|-------|------|-------------|
| \$1016 | Bit 15 | 14 | 13 | 12 | 11 | 10 | 9 | Bit 8 | High | TOC1 |
| \$1017 | Bit 7 | 6 | 5 | 4 | 3 | 2 | 1 | Bit 0 | Low | |
| \$1018 | Bit 15 | 14 | 13 | 12 | 11 | 10 | 9 | Bit 8 | High | TOC2 |
| \$1019 | Bit 7 | 6 | 5 | 4 | 3 | 2 | 1 | Bit 0 | Low | |
| \$101A | Bit 15 | 14 | 13 | 12 | 11 | 10 | 9 | Bit 8 | High | TOC3 |
| \$101B | Bit 7 | 6 | 5 | 4 | 3 | 2 | 1 | Bit 0 | Low | |
| \$101C | Bit 15 | 14 | 13 | 12 | 11 | 10 | 9 | Bit 8 | High | TOC4 |
| \$101D | Bit 7 | 6 | 5 | 4 | 3 | 2 | 1 | Bit 0 | Low | |
| \$101E | Bit 15 | 14 | 13 | 12 | 11 | 10 | 9 | Bit 8 | High | TOC5 |
| \$101F | Bit 7 | 6 | 5 | 4 | 3 | 2 | 1 | Bit 0 | Low | |

All TOCx register pairs reset to ones (\$FFFF).

TCTL1 — Timer Control 1

\$1020

| | | | | | | | | |
|--------|-------|-----|-----|-----|-----|-----|-----|-------|
| | Bit 7 | 6 | 5 | 4 | 3 | 2 | 1 | Bit 0 |
| | OM2 | OL2 | OM3 | OL3 | OM4 | OL4 | OM5 | OL5 |
| RESET: | 0 | 0 | 0 | 0 | 0 | 0 | 0 | 0 |

OM2–OM5 — Output Mode

OL2–OL5 — Output Level

| OMx | OLx | Action Taken on Successful Compare |
|-----|-----|--|
| 0 | 0 | Timer disconnected from output pin logic |
| 0 | 1 | Toggle OCx output line |
| 1 | 0 | Clear OCx output line to 0 |
| 1 | 1 | Set OCx output line to 1 |

TCTL2 — Timer Control 2

\$1021

| | | | | | | | | |
|--------|-------|---|-------|-------|-------|-------|-------|-------|
| | Bit 7 | 6 | 5 | 4 | 3 | 2 | 1 | Bit 0 |
| | — | — | EDG1B | EDG1A | EDG2B | EDG2A | EDG3B | EDG3A |
| RESET: | 0 | 0 | 0 | 0 | 0 | 0 | 0 | 0 |

Table 7 Timer Control Configuration

| EDGxB | EDGxA | Configuration |
|-------|-------|-------------------------------|
| 0 | 0 | Capture disabled |
| 0 | 1 | Capture on rising edges only |
| 1 | 0 | Capture on falling edges only |
| 1 | 1 | Capture on any edge |

TMSK1 — Timer Interrupt Mask 1**\$1022**

| | Bit 7 | 6 | 5 | 4 | 3 | 2 | 1 | Bit 0 |
|--------|-------|------|------|------|------|------|------|-------|
| | OC1I | OC2I | OC3I | OC4I | OC5I | IC1I | IC2I | IC3I |
| RESET: | 0 | 0 | 0 | 0 | 0 | 0 | 0 | 0 |

OC1I–OC5I — Output Compare x Interrupt Enable

If the OCxI enable bit is set when the OCxF flag bit is set, a hardware interrupt sequence is requested.

IC1I–IC3I — Input Capture x Interrupt Enable

If the ICxI enable bit is set when the ICxF flag bit is set, a hardware interrupt sequence is requested.

NOTE

Bits in TMSK1 correspond bit for bit with flag bits in TFLG1. Ones in TMSK1 enable the corresponding interrupt sources.

TFLG1 — Timer Interrupt Flag 1**\$1023**

| | Bit 7 | 6 | 5 | 4 | 3 | 2 | 1 | Bit 0 |
|--------|-------|------|------|------|------|------|------|-------|
| | OC1F | OC2F | OC3F | OC4F | OC5F | IC1F | IC2F | IC3F |
| RESET: | 0 | 0 | 0 | 0 | 0 | 0 | 0 | 0 |

Clear flags by writing a one to the corresponding bit position(s).

OC1F–OC5F — Output Compare x Flag

Set each time the counter matches output compare x value.

IC1F–IC3F — Input Capture x Flag

Set each time a selected active edge is detected on the ICx input line.

TMSK2 — Timer Interrupt Mask 2**\$1024**

| | Bit 7 | 6 | 5 | 4 | 3 | 2 | 1 | Bit 0 |
|--------|-------|------|-------|------|---|---|-----|-------|
| | TOI | RTII | PAOVI | PAII | 0 | 0 | PR1 | PR0 |
| RESET: | 0 | 0 | 0 | 0 | 0 | 0 | 0 | 0 |

TOI — Timer Overflow Interrupt Enable

0 = TOF interrupts disabled

1 = Interrupt requested when TOF is set to one

RTII — Real-Time Interrupt Enable

0 = RTIF interrupts disabled

1 = Interrupt requested when RTIF is set to one

PAOVI — Pulse Accumulator Overflow Interrupt Enable

Refer to **9 Pulse Accumulator**.

PAII — Pulse Accumulator Input Edge Interrupt Enable

Refer to **9 Pulse Accumulator**.

NOTE

Bits in TMSK2 correspond bit for bit with flag bits in TFLG2. Ones in TMSK2 enable the corresponding interrupt sources.

PR1 and PR0 — Timer Prescaler Select

In normal modes, PR1 and PR0 can only be written once, and the write must be within 64 cycles after reset. Refer to **Table 6** for specific timing values.

| PR[1:0] | Prescaler |
|---------|-----------|
| 0 0 | 1 |
| 0 1 | 4 |
| 1 0 | 8 |
| 1 1 | 16 |

TFLG2 — Timer Interrupt Flag 2

\$1025

| | Bit 7 | 6 | 5 | 4 | 3 | 2 | 1 | Bit 0 |
|--------|-------|------|-------|------|---|---|---|-------|
| | TOF | RTIF | PAOVF | PAIF | 0 | 0 | 0 | 0 |
| RESET: | 0 | 0 | 0 | 0 | 0 | 0 | 0 | 0 |

Clear flags by writing a one to the corresponding bit position(s).

TOF — Timer Overflow Flag

Set when TCNT changes from \$FFFF to \$0000.

RTIF — Real-Time (Periodic) Interrupt Flag

Set periodically. Refer to RTR[1:0] bits in PACTL register.

PAOVF — Pulse Accumulator Overflow Interrupt Flag

Refer to **9 Pulse Accumulator**.

PAIF — Pulse Accumulator Input Edge Interrupt Flag

Refer to **9 Pulse Accumulator**.

PACTL — Pulse Accumulator Control

\$1026

| | Bit 7 | 6 | 5 | 4 | 3 | 2 | 1 | Bit 0 |
|--------|-------|------|-------|-------|---|---|------|-------|
| | DDRA7 | PAEN | PAMOD | PEDGE | 0 | 0 | RTR1 | RTR0 |
| RESET: | 0 | 0 | 0 | 0 | 0 | 0 | 0 | 0 |

DDRA7 — Data Direction for Port A Bit 7

Refer to **5 Parallel Input/Output**.

PAEN — Pulse Accumulator Enable

Refer to **9 Pulse Accumulator**.

PAMOD — Pulse Accumulator Mode Select

Refer to **9 Pulse Accumulator**.

PEDGE — Pulse Accumulator Edge Select

Refer to **9 Pulse Accumulator**.

RTR [1:0] — Real-Time Interrupt (RTI) Rate

Table 8 Real-Time Interrupt Rates

| RTR[1:0] | Divide E By | XTAL = 4.0 MHz | XTAL = 8.0 MHz | XTAL = 12.0 MHz |
|----------|-------------|----------------|----------------|-----------------|
| 0 0 | 2^{13} | 8.19 ms | 4.096 ms | 2.731 ms |
| 0 1 | 2^{14} | 16.38 ms | 8.192 ms | 5.461 ms |
| 1 0 | 2^{15} | 32.77 ms | 16.384 ms | 10.923 ms |
| 1 1 | 2^{16} | 65.54 ms | 32.768 ms | 21.845 ms |
| | E = | 1.0 MHz | 2.0 MHz | 3.0 MHz |

9 Pulse Accumulator

The MC68HC11A8 has an 8-bit counter that can be configured to operate as a simple event counter or for gated time accumulation, depending on the PAMOD bit in the PACTL register. The pulse accumulator counter can be read or written at any time.

The port A bit 7 I/O pin can be configured as a clock in event counting mode, or as a gate signal to enable a free-running clock (E divided by 64) in gated time accumulation mode.

Table 9 Pulse Accumulator Timing

| | Selected Crystal | Common XTAL Frequencies | | |
|-----------------------------------|------------------|-------------------------|----------|----------|
| | | 4.0 MHz | 8.0 MHz | 12.0 MHz |
| CPU Clock | (E) | 1.0 MHz | 2.0 MHz | 3.0 MHz |
| Cycle Time | (1/E) | 1000 ns | 500 ns | 333 ns |
| Pulse Accumulator (in Gated Mode) | | | | |
| (E/2 ⁶) | 1 count — | 64.0 μs | 32.0 μs | 21.33 μs |
| (E/2 ¹⁴) | overflow — | 16.384 ms | 8.192 ms | 5.461 ms |

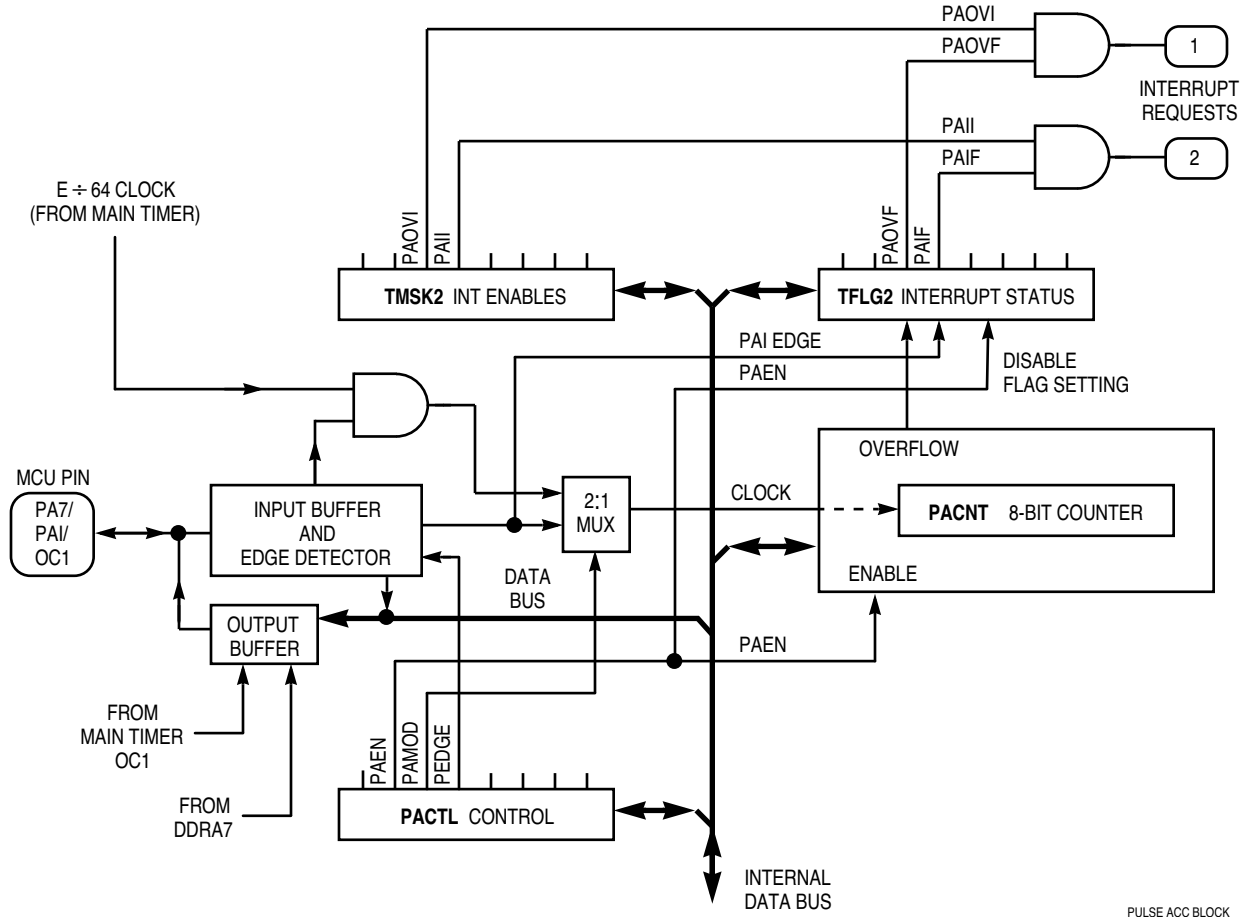


Figure 12 Pulse Accumulator System Block Diagram

TMSK2 — Timer Interrupt Mask 2**\$1024**

| | Bit 7 | 6 | 5 | 4 | 3 | 2 | 1 | Bit 0 |
|--------|-------|------|-------|------|---|---|-----|-------|
| | TOI | RTII | PAOVI | PAII | 0 | 0 | PR1 | PR0 |
| RESET: | 0 | 0 | 0 | 0 | 0 | 0 | 0 | 0 |

TOI — Timer Overflow Interrupt Enable
Refer to **8 Main Timer**.

RTII — Real-Time Interrupt Enable
Refer to **8 Main Timer**.

PAOVI — Pulse Accumulator Overflow Interrupt Enable
0 = PAOVF interrupts disabled
1 = Interrupt requested when RTIF is set to one

PAII — Pulse Accumulator Input Edge Interrupt Enable
0 = PAIF interrupts disabled
1 = Interrupt requested when PAIF is set to one

PR1, PR0 — Timer Prescaler Select
Refer to **8 Main Timer**.

NOTE

Bits in TMSK2 correspond bit for bit with flag bits in TFLG2. Ones in TMSK2 enable the corresponding interrupt sources.

TFLG2 — Timer Interrupt Flag 2**\$1025**

| | Bit 7 | 6 | 5 | 4 | 3 | 2 | 1 | Bit 0 |
|--------|-------|------|-------|------|---|---|---|-------|
| | TOF | RTIF | PAOVF | PAIF | 0 | 0 | 0 | 0 |
| RESET: | 0 | 0 | 0 | 0 | 0 | 0 | 0 | 0 |

Clear flags by writing a one to the corresponding bit position(s).

TOF — Timer Overflow Flag
Refer to **8 Main Timer**.

RTIF — Real-Time Interrupt Flag
Refer to **8 Main Timer**.

PAOVF — Pulse Accumulator Overflow Flag
Set when PACNT changes from \$FF to \$00.

PAIF — Pulse Accumulator Input Edge Flag
Set each time a selected active edge is detected on the PAI input line.

PACTL — Pulse Accumulator Control**\$1026**

| | Bit 7 | 6 | 5 | 4 | 3 | 2 | 1 | Bit 0 |
|--------|-------|------|-------|-------|---|---|------|-------|
| | DDRA7 | PAEN | PAMOD | PEDGE | 0 | 0 | RTR1 | RTR0 |
| RESET: | 0 | 0 | 0 | 0 | 0 | 0 | 0 | 0 |

DDRA7 — Data Direction for Port A Bit 7
Refer to **5 Parallel Input/Output**.

PAEN — Pulse Accumulator System Enable

0 = Pulse Accumulator disabled

1 = Pulse Accumulator enabled

PAMOD — Pulse Accumulator Mode

0 = Event counter

1 = Gated time accumulation

PEDGE — Pulse Accumulator Edge Control

| PAMOD | PEDGE | Action on Clock |
|-------|-------|---|
| 0 | 0 | PAI falling edge increments the counter |
| 0 | 1 | PAI rising edge increments the counter |
| 1 | 0 | A zero on PAI inhibits counting |
| 1 | 1 | A one on PAI inhibits counting |

RTR1 and RTR0 — Real-Time Interrupt (RTI) Rate

Refer to **8 Main Timer**.

PACNT — Pulse Accumulator Counter

\$1027

| | | | | | | | |
|--------|---|---|---|---|---|---|-------|
| Bit 7 | 6 | 5 | 4 | 3 | 2 | 1 | Bit 0 |
| Bit 7 | 6 | 5 | 4 | 3 | 2 | 1 | Bit 0 |
| RESET: | 0 | 0 | 0 | 0 | 0 | 0 | 0 |

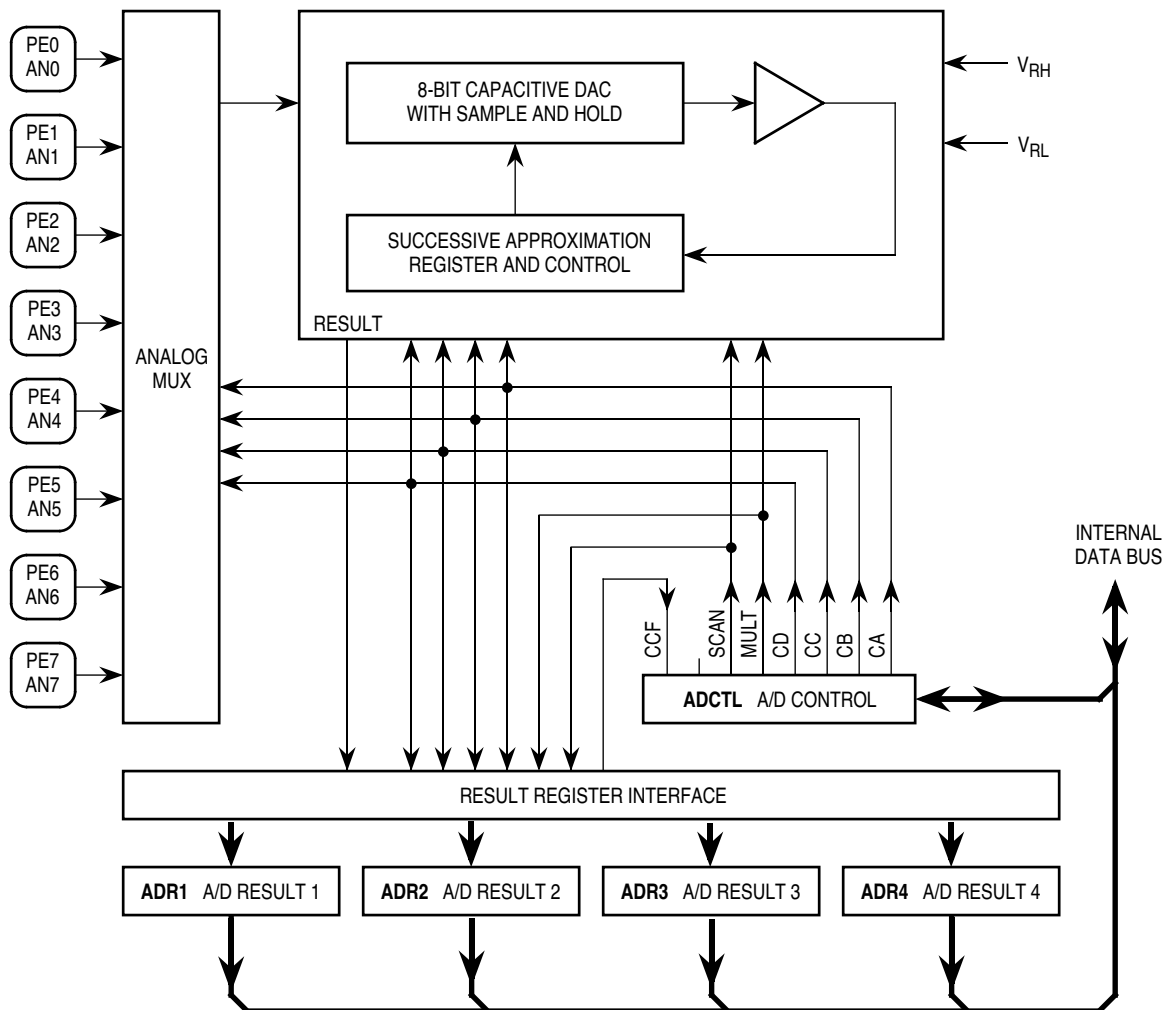
Can be read and written.

10 Analog-to-Digital Converter

The A/D converter system uses an all capacitive charge redistribution technique to convert analog signals to digital values. The MC68HC11A8 A/D system is an 8-channel, 8-bit, multiplexed-input, successive-approximation converter and is accurate to ± 1 least significant bit (LSB). It does not require external sample and hold circuits because of the type of charge redistribution technique used.

Dedicated lines V_{RH} and V_{RL} provide the reference supply voltage inputs. Refer to the A/D converter block diagram.

A multiplexer allows the single A/D converter to select one of 16 analog signals, as shown in the ADCTL register description.



EA9 A/D BLOCK

Figure 13 A/D Converter Block Diagram

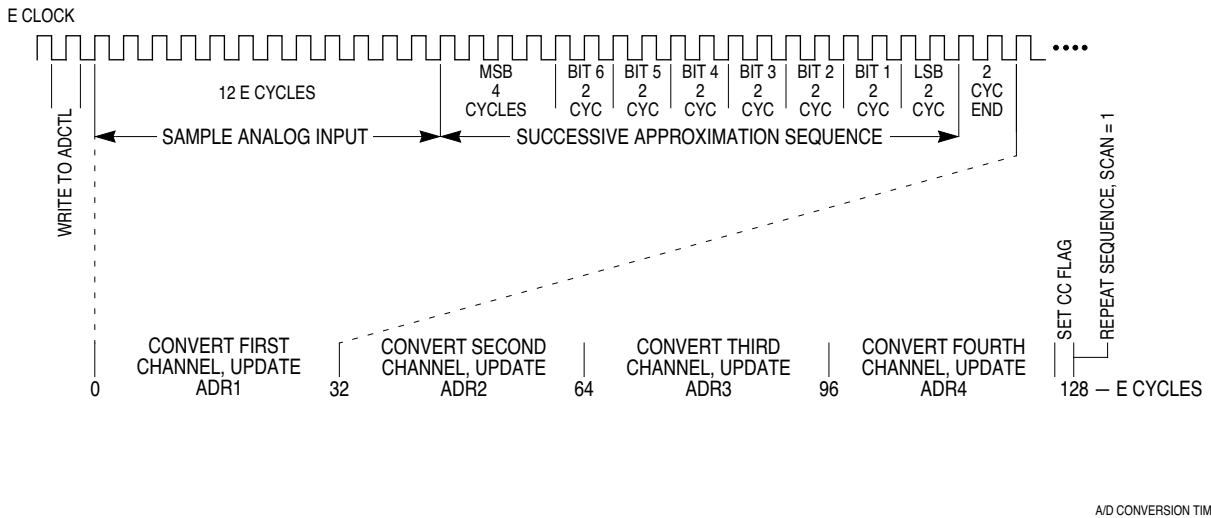


Figure 14 A/D Conversion Sequence

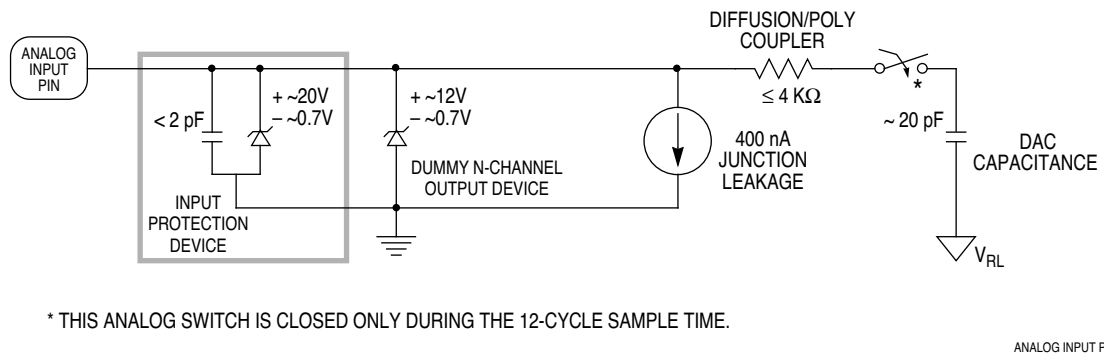


Figure 15 Electrical Model of an Analog Input Pin (Sample Mode)

ADCTL — A/D Control/Status

\$1030

| | Bit 7 | 6 | 5 | 4 | 3 | 2 | 1 | Bit 0 |
|--------|-------|---|------|------|----|----|----|-------|
| | CCF | 0 | SCAN | MULT | CD | CC | CB | CA |
| RESET: | U | 0 | U | U | U | U | U | U |

CCF — Conversions Complete Flag

Set after an A/D conversion cycle. Cleared when ADCTL is written.

SCAN — Continuous Scan Control

0 = Do four conversions and stop

1 = Convert four channels in selected group continuously

MULT — Multiple Channel/Single Channel Control

0 = Convert single channel selected

1 = Convert four channels in selected group

Table 10 A/D Converter Channel Assignments

| Channel Select Control Bits | | | | Channel Signal | Result in ADRx if MULT = 1 |
|-----------------------------|----|----|----|------------------------|-------------------------------|
| CD | CC | CB | CA | | |
| 0 | 0 | 0 | 0 | AN0 | ADR1 |
| 0 | 0 | 0 | 1 | AN1 | ADR2 |
| 0 | 0 | 1 | 0 | AN2 | ADR3 |
| 0 | 0 | 1 | 1 | AN3 | ADR4 |
| 0 | 1 | 0 | 0 | AN4* | ADR1 |
| 0 | 1 | 0 | 1 | AN5* | ADR2 |
| 0 | 1 | 1 | 0 | AN6* | ADR3 |
| 0 | 1 | 1 | 1 | AN7* | ADR4 |
| 1 | 0 | X | X | Reserved | ADR1-ADR4 |
| 1 | 1 | 0 | 0 | V _{RH} ** | ADR1 |
| 1 | 1 | 0 | 1 | V _{RL} ** | ADR2 |
| 1 | 1 | 1 | 0 | (V _{RH})/2** | ADR3 |
| 1 | 1 | 1 | 1 | Reserved** | ADR4 |

* Not available in 48-pin package

**Used for factory testing

ADR1-ADR4 — A/D Results

\$1031-\$1034

| | Bit 7 | 6 | 5 | 4 | 3 | 2 | 1 | Bit 0 | |
|--------|-------|---|---|---|---|---|---|-------|------|
| \$1031 | Bit 7 | 6 | 5 | 4 | 3 | 2 | 1 | Bit 0 | ADR1 |
| \$1032 | Bit 7 | 6 | 5 | 4 | 3 | 2 | 1 | Bit 0 | ADR2 |
| \$1033 | Bit 7 | 6 | 5 | 4 | 3 | 2 | 1 | Bit 0 | ADR3 |
| \$1034 | Bit 7 | 6 | 5 | 4 | 3 | 2 | 1 | Bit 0 | ADR4 |

Table 11 Analog Input to 8-Bit Result Translation Table

| | Bit 7 | 6 | 5 | 4 | 3 | 2 | 1 | Bit 0 |
|----------------------|-------|-------|-------|--------|--------|--------|--------|--------|
| % ⁽¹⁾ | 50% | 25% | 12.5% | 6.25% | 3.12% | 1.56% | 0.78% | 0.39% |
| Volts ⁽²⁾ | 2.500 | 1.250 | 0.625 | 0.3125 | 0.1562 | 0.0781 | 0.0391 | 0.0195 |

⁽¹⁾ % of V_{RH}-V_{RL}

⁽²⁾ V_{RL} = 0.0 V; V_{RH} = 5.0 V

OPTION — System Configuration Options

\$1039

| | Bit 7 | 6 | 5 | 4 | 3 | 2 | 1 | Bit 0 |
|--------|-------|------|-------|------|-----|---|------|-------|
| | ADPU | CSEL | IRQE* | DLY* | CME | 0 | CR1* | CR0* |
| RESET: | 0 | 0 | 0 | 1 | 0 | 0 | 0 | 0 |

*Can be written only once in first 64 cycles out of reset in normal modes, or any time in special modes.

ADPU — A/D Power Up

0 = A/D Converter powered down

1 = A/D Converter powered up

CSEL — Clock Select

0 = A/D and EEPROM use system E clock


1 = A/D and EEPROM use internal RC clock

IRQE — $\overline{\text{IRQ}}$ Select Edge Sensitive Only
Refer to **3 Resets and Interrupts**.

DLY — Enable Oscillator Start-Up Delay on Exit from STOP
Refer to **3 Resets and Interrupts**.

CME — Clock Monitor Enable
Refer to **3 Resets and Interrupts**.

CR1, CR0 — COP Timer Rate Select
Refer to **3 Resets and Interrupts**.

Motorola reserves the right to make changes without further notice to any products herein. Motorola makes no warranty, representation or guarantee regarding the suitability of its products for any particular purpose, nor does Motorola assume any liability arising out of the application or use of any product or circuit, and specifically disclaims any and all liability, including without limitation consequential or incidental damages. "Typical" parameters can and do vary in different applications. All operating parameters, including "Typicals" must be validated for each customer application by customer's technical experts. Motorola does not convey any license under its patent rights nor the rights of others. Motorola products are not designed, intended, or authorized for use as components in systems intended for surgical implant into the body, or other applications intended to support or sustain life, or for any other application in which the failure of the Motorola product could create a situation where personal injury or death may occur. Should Buyer purchase or use Motorola products for any such unintended or unauthorized application, Buyer shall indemnify and hold Motorola and its officers, employees, subsidiaries, affiliates, and distributors harmless against all claims, costs, damages, and expenses, and reasonable attorney fees arising out of, directly or indirectly, any claim of personal injury or death associated with such unintended or unauthorized use, even if such claim alleges that Motorola was negligent regarding the design or manufacture of the part. Motorola and  are registered trademarks of Motorola, Inc. Motorola, Inc. is an Equal Opportunity/Affirmative Action Employer.

How to reach us:

USA/EUROPE: Motorola Literature Distribution;

P.O. Box 20912; Phoenix, Arizona 85036. 1-800-441-2447

MFAX: RMFAX0@email.sps.mot.com - TOUCHTONE (602) 244-6609

INTERNET: <http://Design-NET.com>

JAPAN: Nippon Motorola Ltd.; Tatsumi-SPD-JLDC, Toshikatsu Otsuki,
6F Seibu-Butsuryu-Center, 3-14-2 Tatsumi Koto-Ku, Tokyo 135, Japan. 03-3521-8315

HONG KONG: Motorola Semiconductors H.K. Ltd.; 8B Tai Ping Industrial Park,
51 Ting Kok Road, Tai Po, N.T., Hong Kong. 852-26629298



MOTOROLA

MC68HC11A8TS/D

