

PLEASE CHECK WWW.MOLEX.COM FOR LATEST PART INFORMATION

Part Number: [0741640114](#)
Status: **Active**
Overview: [cgrid_sl_products](#)
Description: 2.54mm (.100") Pitch C-Grid® Receptacle, Right Angle, Through Hole, Dual Row, Shrouded with Pegs High-Temperature, 14 Circuits, Tin (Sn)

Documents:

[3D Model](#) [Product Specification PS-74164-001 \(PDF\)](#)
[Drawing \(PDF\)](#) [RoHS Certificate of Compliance \(PDF\)](#)

Agency Certification

UL E29179

General

Product Family PCB Receptacles
 Series [74164](#)
 Application Board-to-Board
 Overview [cgrid_sl_products](#)
 Product Name C-Grid®

Physical

Circuits (Loaded) 14
 Circuits (maximum) 14
 Color - Resin Black
 Durability (mating cycles max) 25
 Flammability 94V-0
 Glow-Wire Compliant No
 Guide to Mating Part No
 Keying to Mating Part None
 Lock to Mating Part Yes
 Material - Metal Phosphor Bronze
 Material - Plating Mating Tin
 Material - Plating Termination Tin
 Material - Resin High Performance Thermoplastic
 Number of Rows 2
 Orientation Right Angle
 PCB Locator Yes
 PCB Retention None
 Packaging Type Tube
 Pitch - Mating Interface (in) 0.100 In
 Pitch - Mating Interface (mm) 2.54 mm
 Pitch - Term. Interface (in) 0.100 In
 Pitch - Term. Interface (mm) 2.54 mm
 Polarized to Mating Part No
 Polarized to PCB No
 Robotic Placement None
 Stackable No
 Surface Mount Compatible (SMC) No
 Temperature Range - Operating -40°C to +105°C
 Termination Interface: Style Through Hole

Electrical

Current - Maximum per Contact 2.5A
 Grounding to PCB No
 Voltage - Maximum 250V

Solder Process Data

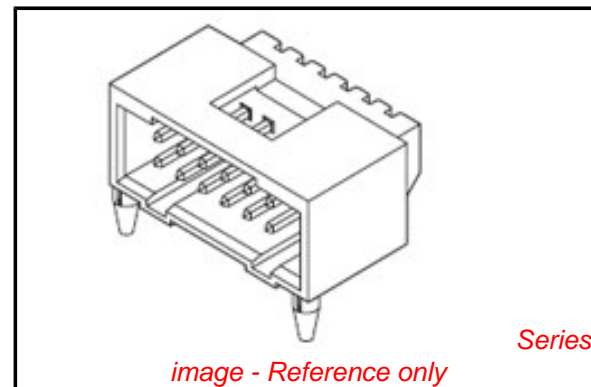


image - Reference only

EU RoHS

ELV and RoHS Compliant
REACH SVHC Contains SVHC: No
Halogen-Free Status
Not Reviewed

China RoHS



Need more information on product environmental compliance?

Email productcompliance@molex.com
 For a multiple part number RoHS Certificate of Compliance, [click here](#)

Please visit the [Contact Us](#) section for any non-product compliance questions.

Search Parts in this Series
[74164Series](#)

| | |
|--|------------------------|
| Duration at Max. Process Temperature (seconds) | 5 |
| Lead-free Process Capability | Wave Capable (TH only) |
| Max. Cycles at Max. Process Temperature | 1 |
| Process Temperature max. C | 260 |

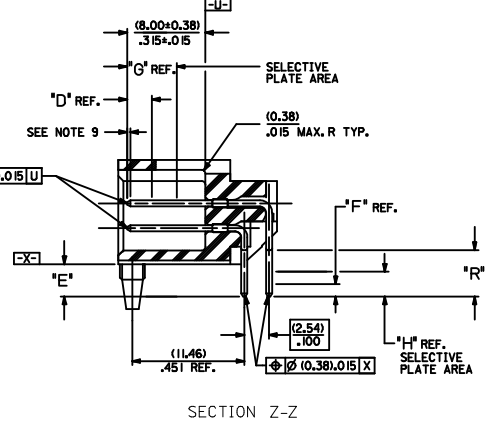
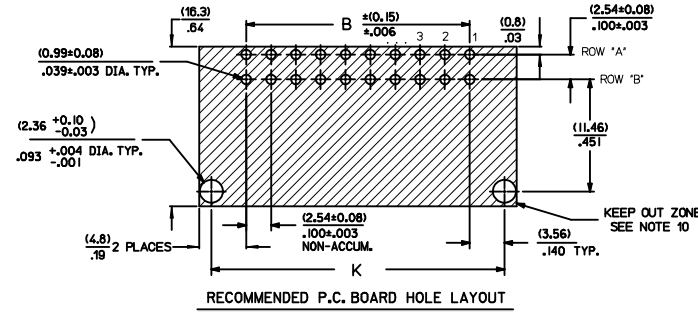
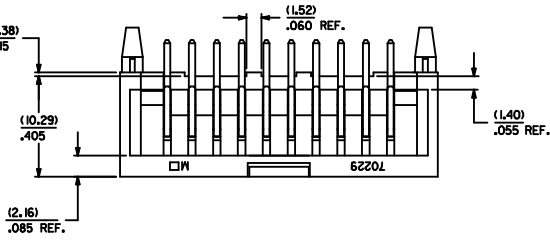
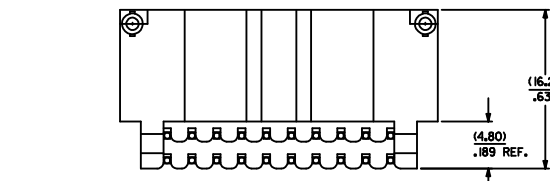
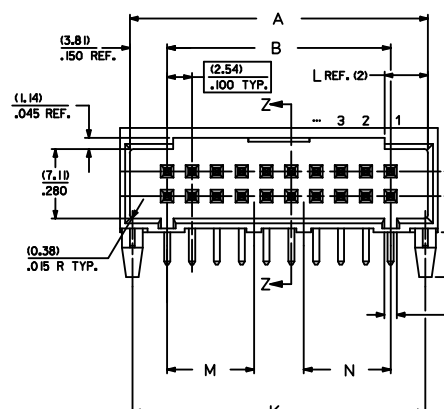
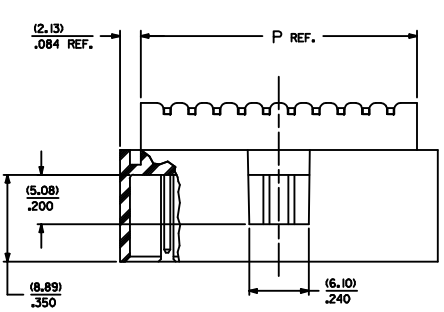
Material Info

Reference - Drawing Numbers

| | |
|-------------------------|---------------|
| Packaging Specification | PK-70873-0019 |
| Product Specification | PS-74164-001 |
| Sales Drawing | SD-74164-001 |

This document was generated on 05/21/2010

PLEASE CHECK WWW.MOLEX.COM FOR LATEST PART INFORMATION



- NOTES
- MATERIAL: SHROUDED WAFER: GLASS FILLED, LIQUID CRYSTAL POLYMER, COLOR: BLACK; UL94V-0
PINS: PHOSPHOR BRONZE
 - FINISH:
TIN - 3.81 MICROMETERS/150 MICROINCHES MINIMUM TIN PLATE OVER NICKEL UNDERPLATE OVERALL
15 GOLD - 0.38 MICROMETERS/15 MICROINCHES MINIMUM GOLD PLATE IN SELECT AREA
191 MICROMETERS/75 MICROINCHES MINIMUM TIN PLATE IN SELECT AREA OVER NICKEL UNDERPLATE OVERALL
30 GOLD - 0.76 MICROMETERS/30 MICROINCHES MINIMUM GOLD PLATE IN SELECT AREA
191 MICROMETERS/75 MICROINCHES MINIMUM TIN PLATE IN SELECT AREA OVER NICKEL UNDERPLATE OVERALL
50 GOLD - 1.27 MICROMETERS/50 MICROINCHES MINIMUM GOLD PLATE IN SELECT AREA
191 MICROMETERS/75 MICROINCHES MINIMUM TIN PLATE IN SELECT AREA OVER NICKEL UNDERPLATE OVERALL
 - PRODUCT SPECIFICATION: PS-74164-0001
 - PACKAGING INFORMATION: SEE CHART
 - 20 CIRCUIT SIZE SHOWN FOR ILLUSTRATION PURPOSES.
 - PIN PUSHOUT FORCE: (17.79 N)/4 LBS.
 - PINS MUST MEET SOLDERABILITY SPEC. MIL-STD-202 METHOD 208B.
 - FOR CHARTED DIMENSIONS AND ASSEMBLY NO.S NOT SHOWN ON THIS SHEET - SEE SHEET 2.
 - ROW TO ROW PIN HEIGHT VARIATION MUST NOT EXCEED (0.25)/.010 IN.
 - NO FEATURES WHICH RISE ABOVE THE PCB SURFACE ALLOWED IN THIS AREA
 - THIS PART CONFORMS TO CLASS B REQUIREMENTS OF COSMETIC SPECIFICATION PS-45499-002.

| CKT. | DIM. "A" | DIM. "B" | DIM. "K" | DIM. "L" | DIM. "M" | DIM. "N" | DIM. "P" |
|------|---------------|---------------|---------------|-------------|--------------|--------------|---------------|
| 06 | (12.70) .500 | (5.08) .200 | (12.19) .480 | (3.30) .130 | | | (10.46) .412 |
| 08 | (15.24) .600 | (7.62) .300 | (14.73) .580 | (4.42) .174 | | | (13.00) .512 |
| 10 | (17.78) .700 | (10.16) .400 | (17.27) .680 | (4.42) .174 | | | (15.54) .612 |
| 12 | (20.32) .800 | (12.70) .500 | (19.81) .780 | (4.42) .174 | | | (18.08) .712 |
| 14 | (22.86) .900 | (15.24) .600 | (22.35) .880 | (4.42) .174 | | | (20.62) .812 |
| 16 | (25.40) 1.000 | (17.78) .700 | (24.89) .980 | (4.42) .174 | | | (23.16) .912 |
| 18 | (27.94) 1.100 | (20.32) .800 | (27.43) 1.080 | (4.42) .174 | | | (25.70) 1.012 |
| 20 | (30.48) 1.200 | (22.86) .900 | (29.97) 1.180 | (4.42) .174 | | | (28.24) 1.112 |
| 22 | (33.02) 1.300 | (25.40) 1.000 | (32.51) 1.280 | (4.42) .174 | | | (30.78) 1.212 |
| 24 | (35.56) 1.400 | (27.94) 1.100 | (35.05) 1.380 | (4.42) .174 | (16.64) .655 | | (33.32) 1.312 |
| 26 | (38.10) 1.500 | (30.48) 1.200 | (37.59) 1.480 | (4.42) .174 | (16.64) .655 | | (35.86) 1.412 |
| 28 | (40.64) 1.600 | (33.02) 1.300 | (40.13) 1.580 | (4.42) .174 | (16.64) .655 | | (38.40) 1.512 |
| 30 | (43.18) 1.700 | (35.56) 1.400 | (42.67) 1.680 | (4.42) .174 | (16.64) .655 | | (40.94) 1.612 |
| 32 | (45.72) 1.800 | (38.10) 1.500 | (45.21) 1.780 | (4.42) .174 | (16.64) .655 | | (43.48) 1.712 |
| 34 | (48.26) 1.900 | (40.64) 1.600 | (47.75) 1.880 | (4.42) .174 | (16.64) .655 | (16.76) .660 | (46.02) 1.812 |
| 36 | (50.80) 2.000 | (43.18) 1.700 | (50.29) 1.980 | (4.42) .174 | (16.64) .655 | (16.76) .660 | (48.56) 1.912 |
| 38 | (53.34) 2.100 | (45.72) 1.800 | (52.83) 2.080 | (4.42) .174 | (16.64) .655 | (16.76) .660 | (51.10) 2.012 |
| 40 | (55.88) 2.200 | (48.26) 1.900 | (55.37) 2.180 | (4.42) .174 | (16.64) .655 | (16.76) .660 | (53.64) 2.112 |
| 42 | (58.42) 2.300 | (50.80) 2.000 | (57.91) 2.280 | (4.42) .174 | (16.64) .655 | (16.76) .660 | (56.18) 2.212 |
| 44 | (60.96) 2.400 | (53.34) 2.100 | (60.45) 2.380 | (4.42) .174 | (16.64) .655 | (16.76) .660 | (58.72) 2.312 |
| 46 | (63.50) 2.500 | (55.88) 2.200 | (62.99) 2.480 | (4.42) .174 | (16.64) .655 | (16.76) .660 | (61.26) 2.412 |
| 48 | (66.04) 2.600 | (58.42) 2.300 | (65.53) 2.580 | (4.42) .174 | (16.64) .655 | (16.76) .660 | (63.80) 2.512 |
| 50 | (68.58) 2.700 | (60.96) 2.400 | (68.07) 2.680 | (4.42) .174 | (16.64) .655 | (16.76) .660 | (66.34) 2.612 |
| 52 | (71.12) 2.800 | (63.50) 2.500 | (70.61) 2.780 | (4.42) .174 | (16.64) .655 | (16.76) .660 | (68.88) 2.712 |
| 54 | (73.66) 2.900 | (66.04) 2.600 | (73.15) 2.880 | (4.42) .174 | (16.64) .655 | (16.76) .660 | (71.42) 2.812 |
| 56 | (76.20) 3.000 | (68.58) 2.700 | (75.69) 2.980 | (4.42) .174 | (16.64) .655 | (16.76) .660 | (73.96) 2.912 |
| 58 | (78.74) 3.100 | (71.12) 2.800 | (78.23) 3.080 | (4.42) .174 | (16.64) .655 | (16.76) .660 | (76.50) 3.012 |
| 60 | (81.28) 3.200 | (73.66) 2.900 | (80.77) 3.180 | (4.42) .174 | (16.64) .655 | (16.76) .660 | (79.04) 3.112 |
| 62 | (83.82) 3.300 | (76.20) 3.000 | (83.31) 3.280 | (4.42) .174 | (16.64) .655 | (16.76) .660 | (81.58) 3.212 |
| 64 | (86.36) 3.400 | (78.74) 3.100 | (85.85) 3.380 | (4.42) .174 | (16.64) .655 | (16.76) .660 | (84.12) 3.312 |
| 66 | (88.90) 3.500 | (81.28) 3.200 | (88.39) 3.480 | (4.42) .174 | (16.64) .655 | (16.76) .660 | (86.66) 3.412 |
| 68 | (91.44) 3.600 | (83.82) 3.300 | (90.93) 3.580 | (4.42) .174 | (16.64) .655 | (16.76) .660 | (89.20) 3.512 |
| 70 | (93.98) 3.700 | (86.36) 3.400 | (93.47) 3.680 | (4.42) .174 | (16.64) .655 | (16.76) .660 | (91.74) 3.612 |
| 72 | (96.52) 3.800 | (88.90) 3.500 | (96.01) 3.780 | (4.42) .174 | (16.64) .655 | (16.76) .660 | (94.28) 3.712 |

| | | | | | | |
|---|-------------------------------|--|--|---------------------------|------------------------------|---|
| INITIAL RELEASE EC NO: UCP2009-1776 DRAWN BY: MIBARRA CHK BY: BBARKER APPR: SMILLER DATE: 2009/03/30 DATE: 2009/03/30 DATE: 2009/03/31 | QUALITY SYMBOLS 0=0 1=0 | GENERAL TOLERANCES (UNLESS SPECIFIED) DIMENSIONS: mm INCH 4 PLACES ± --- ± --- 3 PLACES ± --- ± .010 2 PLACES ± 0.25 ± .014 1 PLACE ± 0.36 ± --- ANGULAR ±1/2° | DIMENSION STYLE MM/IN | SCALE INCH | DESIGN UNITS INCH | THIRD ANGLE PROJECTION |
| | | DRAFT WHERE APPLICABLE MUST REMAIN WITHIN DIMENSIONS | DRAWN BY: MIBARRA CHECKED BY: BBARKER APPROVED BY: SMILLER DATE: 2009/03/30 DATE: 2009/03/30 DATE: 2009/03/30 | MATERIAL NO. SEE TABLE | DOCUMENT NO. SD-74164-001 | TITLE SALES ASSEMBLY RIGHT ANGLE SHROUDED W/PC BOARD STAB PEGS |

| ITEM NUMBER 74164 | E REF | R REF | PLATING FINISH | CONNECTOR END PLATING | | | PC BOARD END PLATING | | | INFORMATION PK-70873 | VOIDED CIRCUITS | |
|----------------------|--------------|--------------|-------------------|-----------------------|--------------|--------------|----------------------|-------------|--------------|-------------------------|-----------------|--|
| | | | | TYPE | G LENGTH | D MEAS. | TYPE | H LENGTH | F MEAS. | | | |
| -0006-0072 | 3.30 .130 | 4.75 .187 | 15 GOLD | GOLD | 5.08 .200 | 2.54 .100 | | TIN | 3.81 .150 | 2.54 .100 | 0019 | |
| -0106-0172 | 3.30 .130 | 4.75 .187 | TIN | TIN | | 2.54 .100 | | TIN | | 2.54 .100 | 0019 | |
| -0206-0272 | 3.30 .130 | 4.75 .187 | 50 GOLD | GOLD | 5.08 .200 | 2.54 .100 | | TIN | 3.81 .150 | 2.54 .100 | 0019 | |
| -0306-0372 | 3.30 .130 | 4.75 .187 | 30 GOLD | GOLD | 5.08 .200 | 2.54 .100 | | TIN | 3.81 .150 | 2.54 .100 | 0019 | |
| -3001 | 3.30 .130 | 4.75 .187 | 15 GOLD | GOLD | 5.08 .200 | 2.54 .100 | | TIN | 3.81 .150 | 2.54 .100 | 0019 | A14, A15, A16, A18, A19, A22, A23 B14, B15, B16, B18, B19, B22, B23 |
| | | | | | | | | | | | | |
| | | | | | | | | | | | | |

| NO. OF CKTS | ITEM NUMBER | ITEM NUMBER | ITEM NUMBER | ITEM NUMBER | ITEM NUMBER | ITEM NUMBER | ITEM NUMBER |
|-------------|-------------|-------------|-------------|-------------|-------------|-------------|-------------|
| 6 | 74164-0006 | 74164-0106 | 74164-0206 | 74164-0306 | | | |
| 8 | 74164-0008 | 74164-0108 | 74164-0208 | 74164-0308 | | | |
| 10 | 74164-0010 | 74164-0110 | 74164-0210 | 74164-0310 | | | |
| 12 | 74164-0012 | 74164-0112 | 74164-0212 | 74164-0312 | | | |
| 14 | 74164-0014 | 74164-0114 | 74164-0214 | 74164-0314 | | | |
| 16 | 74164-0016 | 74164-0116 | 74164-0216 | 74164-0316 | | | |
| 18 | 74164-0018 | 74164-0118 | 74164-0218 | 74164-0318 | | | |
| 20 | 74164-0020 | 74164-0120 | 74164-0220 | 74164-0320 | | | |
| 22 | 74164-0022 | 74164-0122 | 74164-0222 | 74164-0322 | | | |
| 24 | 74164-0024 | 74164-0124 | 74164-0224 | 74164-0324 | | | |
| 26 | 74164-0026 | 74164-0126 | 74164-0226 | 74164-0326 | | | |
| 28 | 74164-0028 | 74164-0128 | 74164-0228 | 74164-0328 | | | |
| 30 | 74164-0030 | 74164-0130 | 74164-0230 | 74164-0330 | | | |
| 32 | 74164-0032 | 74164-0132 | 74164-0232 | 74164-0332 | | | |
| 34 | 74164-0034 | 74164-0134 | 74164-0234 | 74164-0334 | | | |
| 36 | 74164-0036 | 74164-0136 | 74164-0236 | 74164-0336 | | | |
| 38 | 74164-0038 | 74164-0138 | 74164-0238 | 74164-0338 | | | |
| 40 | 74164-0040 | 74164-0140 | 74164-0240 | 74164-0340 | | | |
| 42 | 74164-0042 | 74164-0142 | 74164-0242 | 74164-0342 | | | |
| 44 | 74164-0044 | 74164-0144 | 74164-0244 | 74164-0344 | | | |
| 46 | 74164-0046 | 74164-0146 | 74164-0246 | 74164-0346 | | | |
| 48 | 74164-0048 | 74164-0148 | 74164-0248 | 74164-0348 | | | |
| 50 | 74164-0050 | 74164-0150 | 74164-0250 | 74164-0350 | | 74164-3001 | |
| 52 | 74164-0052 | 74164-0152 | 74164-0252 | 74164-0352 | | | |
| 54 | 74164-0054 | 74164-0154 | 74164-0254 | 74164-0354 | | | |
| 56 | 74164-0056 | 74164-0156 | 74164-0256 | 74164-0356 | | | |
| 58 | 74164-0058 | 74164-0158 | 74164-0258 | 74164-0358 | | | |
| 60 | 74164-0060 | 74164-0160 | 74164-0260 | 74164-0360 | | | |
| 62 | 74164-0062 | 74164-0162 | 74164-0262 | 74164-0362 | | | |
| 64 | 74164-0064 | 74164-0164 | 74164-0264 | 74164-0364 | | | |
| 66 | 74164-0066 | 74164-0166 | 74164-0266 | 74164-0366 | | | |
| 68 | 74164-0068 | 74164-0168 | 74164-0268 | 74164-0368 | | | |
| 70 | 74164-0070 | 74164-0170 | 74164-0270 | 74164-0370 | | | |
| 72 | 74164-0072 | 74164-0172 | 74164-0272 | 74164-0372 | | | |

| | | | | | | | |
|---|--|---|------------------------------|---------------------|--|---|---|
| INITIAL RELEASE EC NO: UCP2009-1776 DRAWN BY: MIBARRA 2009/03/30 CHECKED BY: BBARKER 2009/04/20 APPR: SMILLER 2009/04/21 REV: DESCRIPTION | QUALITY SYMBOLS | GENERAL TOLERANCES (UNLESS SPECIFIED) | DIMENSION STYLE | SCALE | DESIGN UNITS | THIRD ANGLE PROJECTION | |
| | ▼=0 ▽=0 | mm INCH 4 PLACES ±.005 ±.005 3 PLACES ±.010 ±.010 2 PLACES ±.025 ±.014 1 PLACE ±.036 ±.010 ANGULAR ±1/2° | MM/IN | INCH | INCH | DRAWN BY: MIBARRA 2009/03/30 CHECKED BY: BBARKER 2009/03/30 APPROVED BY: SMILLER 2009/03/30 | TITLE: SALES ASSEMBLY RIGHT ANGLE SHROUDED W/PC BOARD STAB PEGS MOLEX INCORPORATED |
| | DRAFT WHERE APPLICABLE MUST REMAIN WITHIN DIMENSIONS | MATERIAL NO: SEE TABLE | DOCUMENT NO: SD-74164-001 | SHEET NO: 2 OF 2 | THIS DRAWING CONTAINS INFORMATION THAT IS PROPRIETARY TO MOLEX INCORPORATED AND SHOULD NOT BE USED WITHOUT WRITTEN PERMISSION | | |
| | | | | | | | |