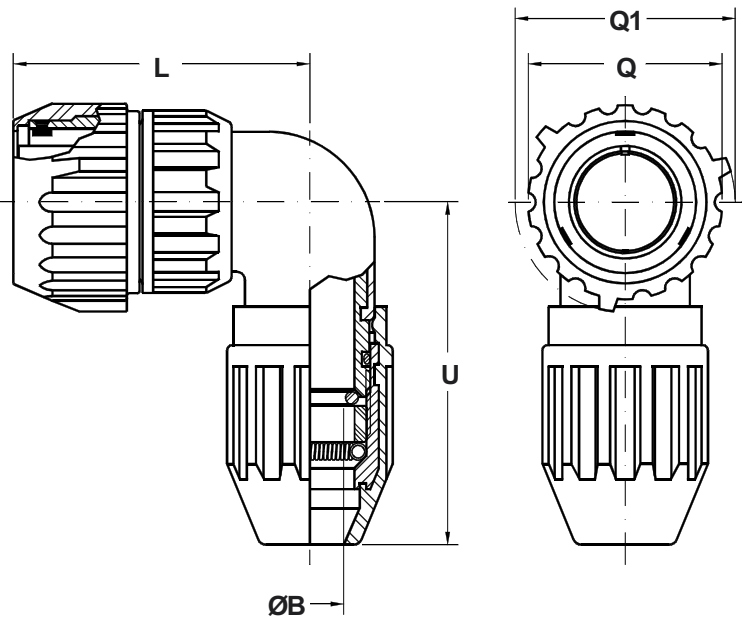




ITS 4108 (RG)
90° Cylindrical Plug Connector
with Rubber-Coated Cable Sealing Backshell

FR ITS G 41 08 RG 20-27 P Y XXX

- Fire Resistant Inserts (See Note 7) —————
 - Bayonet Coupling —————
 - Grounding Fingers (Omit for Standard) —————
 - Contact Type —————
 - 41 - Crimp Contacts —————
 - 08 - 90° Plug Connector —————
 - Connector/Backshell Class —————
 - RG - Non-Environmental; Supplied with Backshell Only
- Mod Code Option (See Table II) —————
 - Alternate Insert Rotation (W, X, Y, Z) Omit for Normal; See Page 00 —————
 - Contact Gender —————
 - P - Pin
 - S - Socket
 - Shell Size and Insert Arrangement (See Page 00) —————



Application Notes:

1. 90° plug connector with rubber-coated cable clamp.
2. Non-environmental (no grommet supplied).
3. Standard materials configuration consists of aluminum alloy with cadmium olive drab finish.
4. Standard contact material consists of copper alloy with silver plating (Gold plating available, see mod codes).
5. A broad range of additional connector accessories are available. See our website and/or contact the factory for complete information.
6. Standard insert material is synthetic rubber.
7. Add "FR" prefix to front of part number to specify fire-resistant insert elastomers.



ITS 4108 (RG)
90° Cylindrical Plug Connector
with Rubber-Coated Cable Sealing Backshell



TABLE I: DIMENSIONS

Dimensione Guscio Shell size	ØB		L	ØQ	ØQ1	U
	min.	Max.	Max.	±0.5	±0.5	Max.
14 S	9.52	12.70	57	35.0	42.0	60
16 S	12.70	15.90	58	38.0	45.0	68
16	12.70	15.90	67	38.0	45.0	68
18	12.70	15.90	68	43.5	49.0	70
20	15.90	19.00	71	46.0	51.5	72
22	15.90	19.00	71	50.5	56.0	72
24	19.00	22.20	76	54.0	60.0	80
28	22.20	25.40	76	61.0	67.0	80
32	28.50	31.75	80	68.0	76.0	88
36	31.75	34.90	84	74.0	82.0	95
40	38.00	41.27	88	80.0	88.0	98

TABLE II: MODIFICATION CODES

CONTACT OPTIONS	
Sym	Description
B0	Connector less contacts
B1	Connector with gold plated contacts
Omit for standard version (silver plated)	

