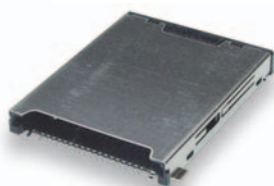


CCM05 Combo (2, 3, 4 in 1)



You need to put more active functions on your PCB? Marketing is chasing you for a cool new feature? Manufacturing wants you to save money? Use a combo connector; combine up to 4 cards in the same slot.

Features

- Different cards in the same component in one slot
- Front metal tab for better PCB tear-off resistance
- Front cover retention for temper resistant card entrance
- Card detect and write protect switches
- SMT mount devices
- Easy operation by manual insertion/extraction

Physical Data

| | |
|-----------------------------------|--------------------------------------|
| Contacts | Copper alloy |
| Contact finish (towards the card) | Gold over nickel |
| Contact finish (towards the PCB) | Tin / lead over nickel |
| Metal cover | Copper alloy (nickel plated overall) |
| Cover ground tails | Gold over nickel |
| Molding | High temp. Thermoplastic, UL 94V-0 |

Mechanical Data

| | |
|-------------------------------------|---|
| Operating life standard & push type | ≥ 5,000 cycles |
| Contact force (signal contact) | 0.20 N min. |
| Card insertion force | 40 N max. |
| Card withdrawal force | 1,5 N min. |
| Vibration | According to IEC 512 part 4, test 6d. 10 to 500 Hz / 50m/s ² / 3 axis / 2 hours per axis No discontinuity > 1 μs |
| Mechanical shock | Peak value 500 m/s ² 11ms. 3 shock in each direction of each axis. No electrical discontinuity 1 μs. |

Contact Electrical Data

| | |
|-----------------------|------------|
| Voltage / ct | ≤ 5 Vdc |
| Current / ct | ≤ 500 mA |
| Contact resistance | ≤ 40 mΩ |
| Voltage proof | ≥ 500 Vrms |
| Insulation resistance | 100 MΩ min |

Environmental Data

| | |
|-----------------------|---|
| Operating temperature | -20°C / +60°C |
| Storage temperature | -40°C / +85°C |
| Soldering temperature | 230°C / 5 sec according to MIL-STD-202F, method 208 |
| Corrosion | 48 hours according to IEC 512 test 11f |

Ordering Code

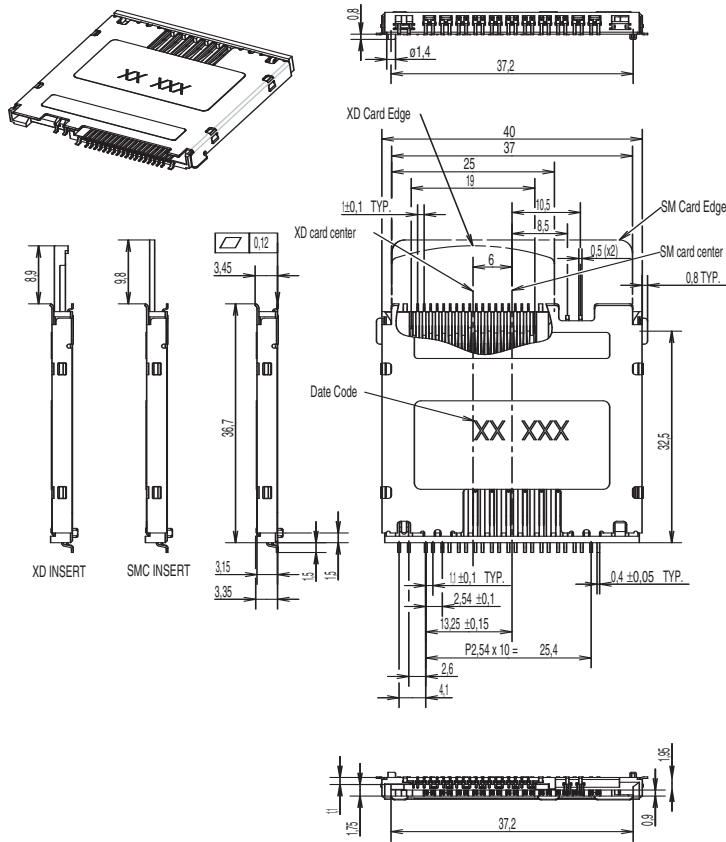
| | |
|----------------|--|
| CCM05-5783 T50 | 2 in 1 Smart Media / xD |
| CCM05-5784 T45 | 2 in 1 miniSD / Memory Stick Duo |
| CCM05-5785 T40 | 3 in 1 MMC / SD / Memory Stick |
| CCM05-5786 T32 | 4 in 1 MMC / SD / Memory Stick / xD |
| CCM05-5787 T20 | 4 in 1 MMC / SD / Memory Stick / Smart Media |

Packaging

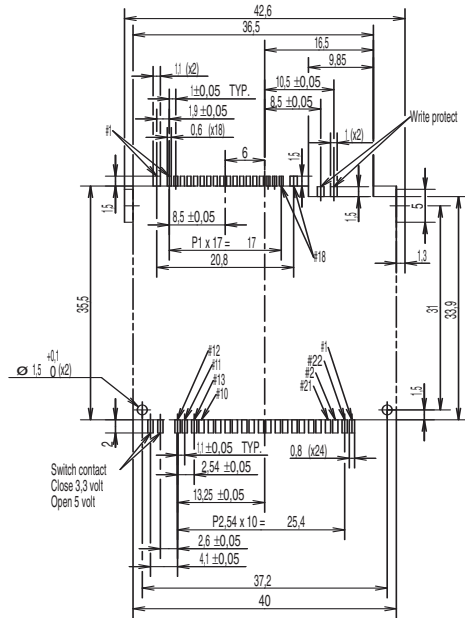
Tray packaging.

CCM05 Combo (2, 3, 4 in 1)

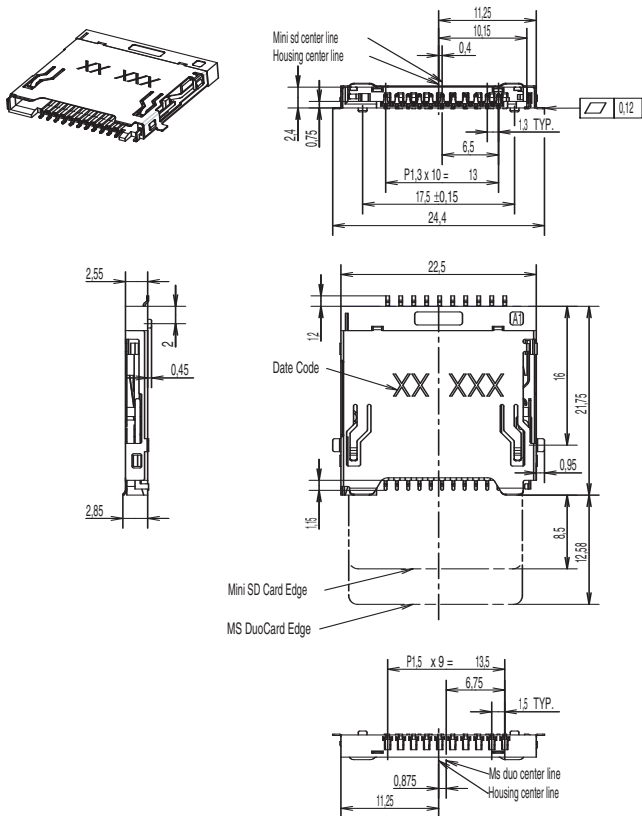
CCM05-5783 2 in 1 (Smart Media / xD)



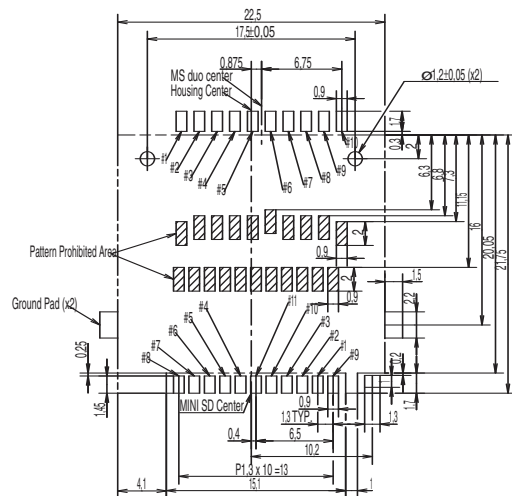
RECOMMENDED PC BOARD LAYOUT
(Component side)



CCM05-5784 2 in 1 miniSD / Memory Stick Duo



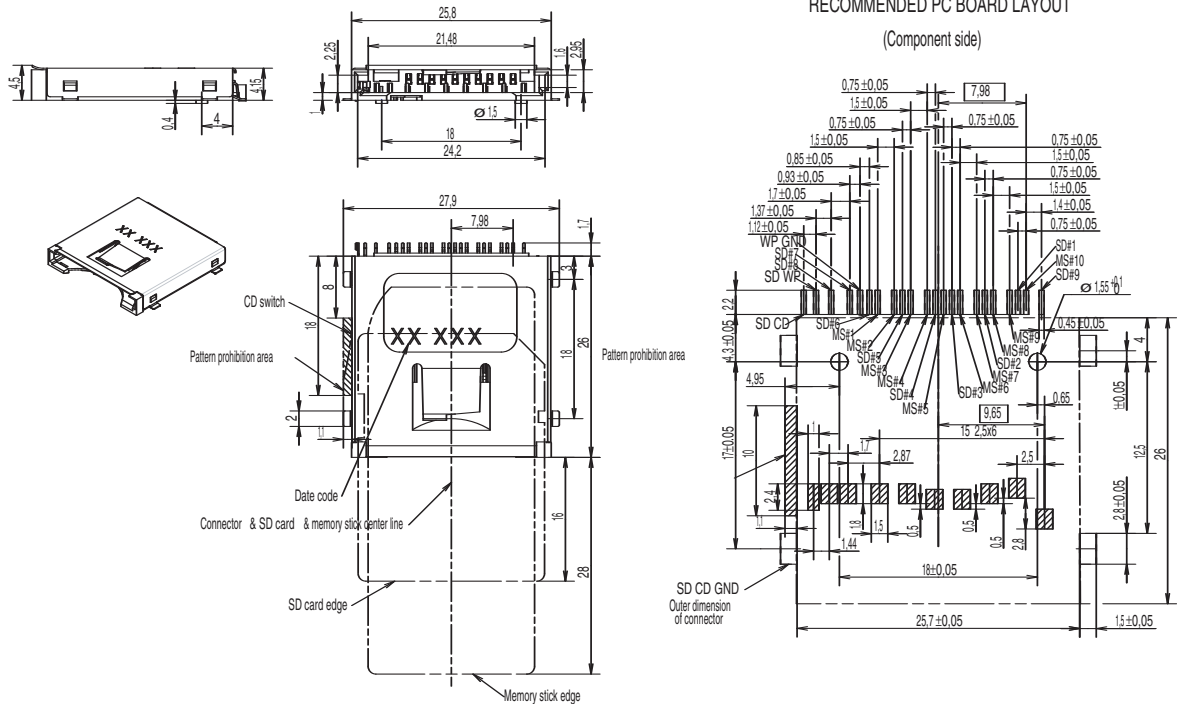
RECOMMENDED PC BOARD LAYOUT
(Component side)



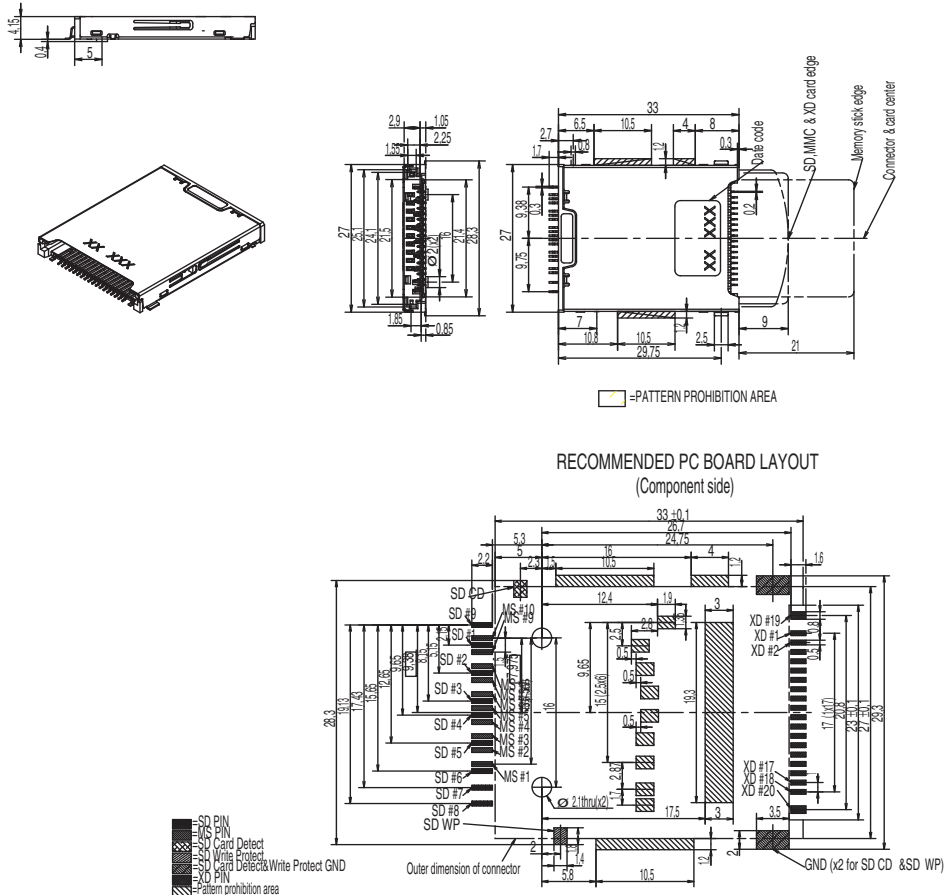
Dimensions are shown in mm
Specifications and dimensions subject to change

CCM05 Combo (2, 3, 4 in 1)

CCM05-5785 3 in 1 (MMC / SD / Memory Stick)



CCM05-5786 4 in 1 (MMC / SD / Memory Stick / xD)



Dimensions are shown in mm
Specifications and dimensions subject to change

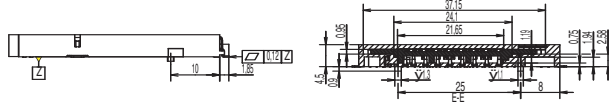
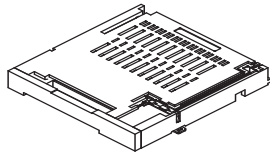
www.ittcannon.com

Cannon

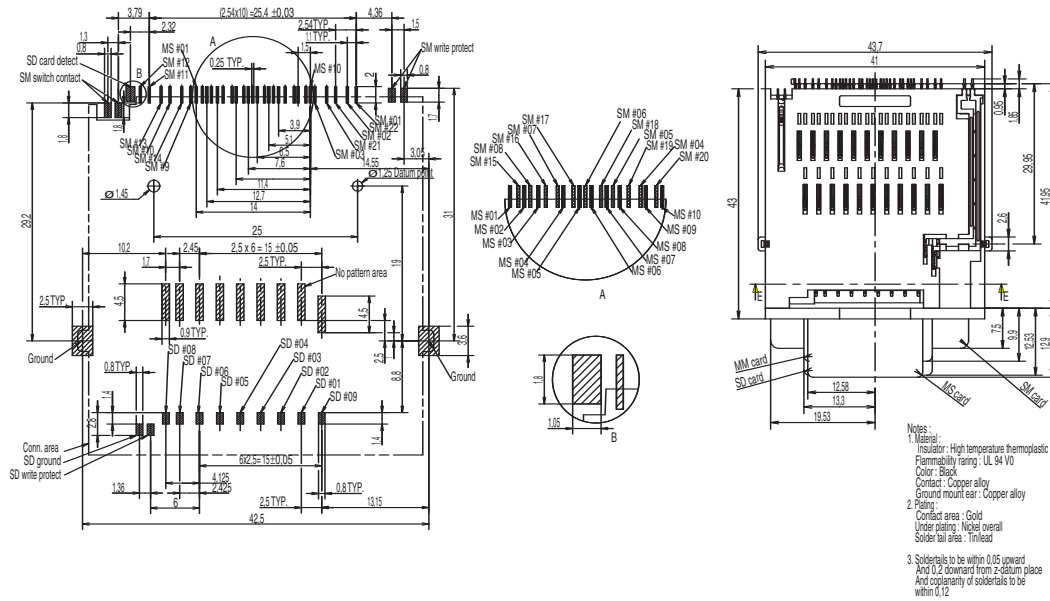
ITT Industries
Engineered for life

CCM05 Combo (2, 3, 4 in 1)

CCM05-5787 4 in 1 (MMC / SD / Memory Stick / Smart Media)



RECOMMENDED PC BOARD LAYOUT
(Component side)



To learn more about our CCM05 Combo product line, please visit www.ittcannon.com

Customer Support Locations

France: +33.(0) 1.60.24.51.51
UK: +44.1256.311850

Germany: +49 (30) 43.9990
USA: 800.635.5936

Hong Kong: +852.2732.2720