

## Features

- 64-megabit (4M x 16) Flash Memory
- 2.7V - 3.6V Read/Write
- High Performance
  - Asynchronous Access Time – 70 ns
  - Page Mode Read Time – 20 ns
  - Synchronous Burst Frequency – 66 MHz
  - Configurable Burst Operation
- Sector Erase Architecture
  - Eight 4K Word Sectors with Individual Write Lockout
  - 32K Word Main Sectors with Individual Write Lockout
- Typical Sector Erase Time: 32K Word Sectors – 500 ms; 4K Word Sectors – 100 ms
- 64M, Four Plane Organization, Permitting Concurrent Read in Any of Three Planes not Being Programmed/Erased
  - Memory Plane A: 16M of Memory Including Eight 4K Word Sectors
  - Memory Plane B: 16M of Memory Consisting of 32K Word Sectors
  - Memory Plane C: 16M of Memory Consisting of 32K Word Sectors
  - Memory Plane D: 16M of Memory Consisting of 32K Word Sectors
- Suspend/Resume Feature for Erase and Program
  - Supports Reading and Programming Data from Any Sector by Suspending Erase of a Different Sector
  - Supports Reading Any Word by Suspending Programming of Any Other Word
- Low-power Operation
  - 30 mA Active
  - 10  $\mu$ A Standby
- 1.8V I/O Option Reduces Overall System Power
- Data Polling and Toggle Bit for End of Program Detection
- VPP Pin for Write Protection and Accelerated Program/Erase Operations
- RESET Input for Device Initialization
- TSOP or CBGA Package
- Top or Bottom Boot Block Configuration Available
- 128-bit Protection Register
- Common Flash Interface (CFI)

## Description

The AT49BN/BV6416(T) is a 2.7-volt 64-megabit Flash memory. The memory is divided into multiple sectors and planes for erase operations. The devices can be read or reprogrammed off a single 2.7V power supply, making them ideally suited for in-system programming. The output voltage can be separately controlled down to 1.65V through the VCCQ supply pin. The devices can be configured to operate in the asynchronous/page read (default mode) or burst read mode (not available for the AT49BV6416(T)). The burst read mode is used to achieve a faster data rate than is possible in the asynchronous/page read mode.

If the  $\overline{\text{AVD}}$  and the CLK signals are both tied to GND, the device will behave like a standard asynchronous Flash memory. In the page mode, the  $\overline{\text{AVD}}$  signal can be tied to GND or can be pulsed low to latch the page address. In both cases the CLK can be tied to GND.



## 64-megabit (4M x 16) Burst/Page Mode 2.7-volt Flash Memory

AT49BV6416  
AT49BV6416T  
AT49BN6416  
AT49BN6416T

## Advance Information

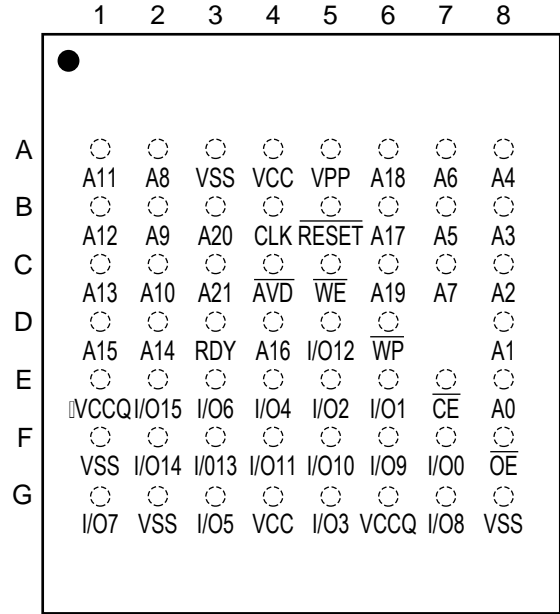


## Pin Configurations

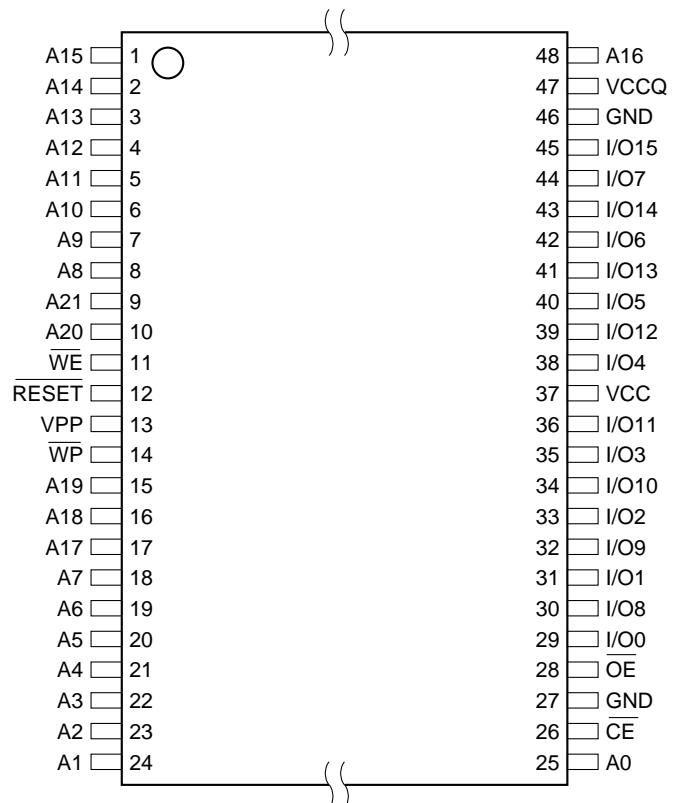
Pin Name	Pin Function
I/O0 - I/O15	Data Inputs/Outputs
A0 - A21	Addresses <sup>(1)</sup>
$\overline{CE}$	Chip Enable
$\overline{OE}$	Output Enable
$\overline{WE}$	Write Enable
$\overline{AVD}$	Address Latch Enable
CLK	Clock
$\overline{RESET}$	Reset
$\overline{WP}$	Write Protect
VPP	Write Protection and Power Supply for Accelerated Program/Erase Operations
RDY	Ready
VCCQ	Output Power Supply

1. These signals are not available for use with the AT49BV6416(T). The AT49BN6416(T) can only be used in the asynchronous/four word page mode.

AT49BN6416(T)  
CBGA  
Top View



AT49BV6416(T)  
TSOP Top View  
Type 1



The AT49BN/BV6416(T) is divided into four memory planes. A read operation can occur in any of the three planes which is not being programmed or erased. This concurrent operation allows improved system performance by not requiring the system to wait for a program or erase operation to complete before a read is performed. To further increase the flexibility of the device, it contains an Erase Suspend and Program Suspend feature. This feature will put the erase or program on hold for any amount of time and let the user read data from or program data to any of the remaining sectors. There is no reason to suspend the erase or program operation if the data to be read is in the other memory plane. The end of program or erase is detected by  $\overline{\text{Data Polling}}$  or toggle bit.

The V<sub>PP</sub> pin provides data protection and faster programming and erase times. When the V<sub>PP</sub> input is below 0.8V, the program and erase functions are inhibited. When V<sub>PP</sub> is at 1.65V or above, normal program and erase operations can be performed. With V<sub>PP</sub> at 12.0V, the program and erase operations are accelerated.

With V<sub>PP</sub> at 12V, a six-byte command (Enter Single Pulse Program Mode) to remove the requirement of entering the three-byte program sequence is offered to further improve programming time. After entering the six-byte code, only single pulses on the write control lines are required for writing into the device. This mode (Single Pulse Word Program) is exited by powering down the device, by taking the  $\overline{\text{RESET}}$  pin to GND or by a high-to-low transition on the V<sub>PP</sub> input. Erase, Erase Suspend/Resume, Program Suspend/Resume and Read Reset commands will not work while in this mode; if entered they will result in data being programmed into the device. It is not recommended that the six-byte code reside in the software of the final product but only exist in external programming code.

## Device Operation

**COMMAND SEQUENCES:** The device powers on in the read mode. Command sequences are used to place the device in other operating modes such as program and erase. After the completion of a program or an erase cycle, the device enters the read mode. The command sequences are written by applying a low pulse on the  $\overline{\text{WE}}$  input with  $\overline{\text{CE}}$  low and  $\overline{\text{OE}}$  high or by applying a low-going pulse on the  $\overline{\text{CE}}$  input with  $\overline{\text{WE}}$  low and  $\overline{\text{OE}}$  high. Prior to the low-going pulse on the  $\overline{\text{CE}}$  or  $\overline{\text{WE}}$  signal, the address input may be latched by a low-to-high transition on the  $\overline{\text{AVD}}$  signal or the rising edge of the first clock pulse when  $\overline{\text{AVD}}$  is low, whichever occurs first. If the  $\overline{\text{AVD}}$  is not pulsed low, the address will be latched on the falling edge of the  $\overline{\text{WE}}$  or  $\overline{\text{CE}}$  pulse whichever occurs first. Valid data is latched on the rising edge of the  $\overline{\text{WE}}$  or the  $\overline{\text{CE}}$  pulse, whichever occurs first. The addresses used in the command sequences are not affected by entering the command sequences.

**BURST CONFIGURATION COMMAND:** The Program Burst Configuration Register command is used to program the burst configuration register. The burst configuration register determines several parameters that control the read operation of the device. Bit B15 determines whether synchronous burst reads are enabled or asynchronous reads are enabled. Since the page read operation is an asynchronous operation, bit B15 must be set for asynchronous reads to enable the page read feature. Bit B14 determines whether a four word page or an eight word page will be used. The rest of the bits in the burst configuration register are used only for the burst read mode. Bits B13 - B11 of the burst configuration register determine the clock latency for the burst mode. The latency can be set to two, three, four, five or six cycles. The clock latency versus input clock frequency table is shown on page 16. The "Burst Read Waveform" as shown on page 27 illustrates a clock latency of four; the data is output from the device four clock cycles after the first low-to-high clock edge following the high-to-low  $\overline{\text{AVD}}$  edge. The B10 bit of the configuration register determines the polarity of the RDY signal. The B9 bit of the

burst configuration register determines the number of clocks that data will be held valid (see Figure 1). The B8 bit of the burst configuration register determines when the RDY signal will be asserted. When synchronous burst reads are enabled, an interleaved or linear burst sequence can be selected by setting bit B7. Table 4 shows the difference between the interleaved and burst sequence. Bit B6 selects whether the burst starts and the data output will be relative to the falling edge or the rising edge of the clock. Bits B2 - B0 of the burst configuration register determine whether a continuous or fixed-length burst will be used and also determine whether a four- or eight-word length will be used in the fixed-length mode. When a four or eight word burst length is selected, Bit B3 can be used to select whether burst accesses wrap within the burst length boundary or whether they cross word length boundaries to perform linear accesses. Please see Table 4. All other bits in the burst configuration register should be programmed as shown on page 16. The default state (after power-up or reset) of the burst configuration register is also shown on page 16. To read the burst configuration register, the Product ID Entry command is given, followed by a normal read operation from address location 00005H. After reading the burst configuration register, the Product ID Exit command must be given prior to performing any other operation.

**ASYNCHRONOUS READ:** There are two types of asynchronous reads –  $\overline{\text{AVD}}$  pulsed and standard asynchronous reads. The  $\overline{\text{AVD}}$  pulsed read operation of the device is controlled by  $\overline{\text{CE}}$ ,  $\overline{\text{OE}}$ , and  $\overline{\text{AVD}}$  inputs. The outputs are put in the high-impedance state whenever  $\overline{\text{CE}}$  or  $\overline{\text{OE}}$  is high. This dual-line control gives designers flexibility in preventing bus contention. The data at the address location defined by A0 - A21 and captured by the  $\overline{\text{AVD}}$  signal will be read when  $\overline{\text{CE}}$  and  $\overline{\text{OE}}$  are low. The address location passes into the device when  $\overline{\text{CE}}$  and  $\overline{\text{AVD}}$  are low; the address is latched on the low-to-high transition of  $\overline{\text{AVD}}$ . Low input levels on the  $\overline{\text{OE}}$  and  $\overline{\text{CE}}$  pins allow the data to be driven out of the device. The access time is measured from stable address, falling edge of  $\overline{\text{AVD}}$  or falling edge of  $\overline{\text{CE}}$ , whichever occurs last. During the  $\overline{\text{AVD}}$  pulsed read, the CLK signal may be static high or static low. For standard asynchronous reads, the  $\overline{\text{AVD}}$  and CLK signal should be tied to GND. The asynchronous read diagrams are shown on page 24.

**PAGE READ:** The page read operation of the device is controlled by  $\overline{\text{CE}}$ ,  $\overline{\text{OE}}$ , and  $\overline{\text{AVD}}$  inputs. The CLK input is ignored during a page read operation and should be tied to GND. The page size can be four words (default value) or eight words depending on what value bit B14 of the burst configuration register is programmed to. During a page read, the  $\overline{\text{AVD}}$  signal can transition low and then transition high, transition low and remain low, or can be tied to GND. If a high to low transition on the  $\overline{\text{AVD}}$  signal occurs, as shown in Page Read Cycle Waveform 1, the page address is latched by the low-to-high transition of the  $\overline{\text{AVD}}$  signal. However, if the  $\overline{\text{AVD}}$  signal remains low after the high-to-low transition or if the  $\overline{\text{AVD}}$  signal is tied to GND, as shown in Page Read Cycle Waveform 2, then the page address (determined by A21 - A3 for an eight word page and A21 - A2 for a four word page) cannot change during a page read operation. The first word access of the page read is the same as the asynchronous read. The first word is read at an asynchronous speed of 80 ns. Once the first word is read, toggling A0 and A1 (four word page mode) or toggling A0, A1, and A2 (eight word page mode) will result in subsequent reads within the page being output at a speed of 20 ns. If the  $\overline{\text{AVD}}$  and the CLK pins are both tied to GND, the device will behave like a standard asynchronous Flash memory. The page read diagrams are shown on page 25.

**SYNCHRONOUS READS:** Synchronous reads (not available on the AT49BV6416(T)) are used to achieve a faster data rate that is possible in the asynchronous/page read mode. The device can be configured for continuous or fixed-length burst access. The burst read operation of the device is controlled by  $\overline{\text{CE}}$ ,  $\overline{\text{OE}}$ , CLK and  $\overline{\text{AVD}}$  inputs. The initial read location is determined as for the  $\overline{\text{AVD}}$  pulsed asynchronous read operation; it can be any memory location in the device. In the burst access, the address is latched on

the rising edge of the first clock pulse when  $\overline{AVD}$  is low or the rising edge of the  $\overline{AVD}$  signal, whichever occurs first. The CLK input signal controls the flow of data from the device for a burst operation. After the clock latency cycles, the data at the next burst address location is read for each following clock cycle.

**CONTINUOUS BURST READ:** During a continuous burst read, any number of addresses can be read from the memory. When a page boundary in the memory is transitioned, additional time may be required for the device to continue the burst read. To indicate that it is not ready to continue the burst, the device will drive the RDY pin low (B10 = 0) during the clock cycles in which new data is not being presented. Once the RDY pin is driven high (B10 = 0), the next data will be valid. Starting with address zero, page boundaries occur every 128 words in the memory. During a continuous burst read, the first page boundary transition may occur before 128 words are read, depending on the initial burst address. The RDY signal will be tri-stated when the  $\overline{CE}$  or  $\overline{OE}$  signal is high.

In the “Burst Read Waveform” as shown on page 27, data D0 is valid asynchronously from point A, the time when the addresses are latched. D0 is valid within 13.0 ns of the clock edge for the specified clock latency (the waveforms show a clock latency of four). The low-to-high transition of the clock at point C results in D1 being read. The transition of the clock at point D results in a burst read of the last word of the page, D127. The clock transition at point E does not cause new data to appear on the output lines because the RDY signal goes low (B10 and B8 = 0) after the clock transition, which signifies that a page boundary in the memory has been crossed and that new data is not available. The clock transition at point F does cause a burst read of data D128 because the RDY signal goes high (B10 and B8 = 0) after the clock transition indicating that new data is available. Additional clock transitions, like at point G, will continue to result in burst reads until the next page boundary is crossed between words D255 and D256.

**FIXED-LENGTH BURST READS:** During a fixed-length burst mode read, four or eight words of data may be burst from the device, depending upon the configuration. The device supports a linear or interleaved burst mode. The burst sequence is shown on page 17. The RDY output remains high (B10 = 0) during fixed-length bursts. The “Four-word Burst Read Waveform” on page 27 illustrates a fixed-length burst cycle. As in the continuous burst read, the data D0 is valid asynchronously from point A, the time when the addresses are latched. D0 is valid within 13.0 ns of the clock edge for the specified clock latency (shown for the case of a latency of four). The low-to-high transition of the clock at point C results in D1 being read. Similarly, D2 and D3 are output following the next two clock cycles. Returning  $\overline{CE}$  high ends the read cycle.

**RESET:** A  $\overline{RESET}$  input pin is provided to ease some system applications. When  $\overline{RESET}$  is at a logic high level, the device is in its standard operating mode. A low level on the  $\overline{RESET}$  pin halts the present device operation and puts the outputs of the device in a high-impedance state. When a high level is reasserted on the  $\overline{RESET}$  pin, the device returns to read or standby mode, depending upon the state of the control pins.

**ERASE:** Before a word can be reprogrammed it must be erased. The erased state of the memory bits is a logical “1”. The entire memory can be erased by using the Chip Erase command or individual planes or sectors can be erased by using the Plane Erase or Sector Erase commands.

**CHIP ERASE:** Chip Erase is a six-bus cycle operation. The automatic erase begins on the rising edge of the last  $\overline{WE}$  pulse. Chip Erase does not alter the data of the protected sectors. After the full chip erase the device will return back to the read mode. The hardware reset during Chip Erase will stop the erase but the data will be of unknown state. Any command during Chip Erase except Erase Suspend will be ignored.



**PLANE ERASE:** As an alternative to a full chip erase, the device is organized into four planes that can be individually erased. The plane erase command is a six-bus cycle operation. The plane whose address is valid at the sixth falling edge of  $\overline{WE}$  will be erased provided none of the sectors within the plane are protected.

**SECTOR ERASE:** As an alternative to a full chip erase or a plane erase, the device is organized into multiple sectors that can be individually erased. The Sector Erase command is a six-bus cycle operation. The sector whose address is valid at the sixth falling edge of  $\overline{WE}$  will be erased provided the given sector has not been protected.

**WORD PROGRAMMING:** The device is programmed on a word-by-word basis. Programming is accomplished via the internal device command register and is a four-bus cycle operation. The programming address and data are latched in the fourth cycle. The device will automatically generate the required internal programming pulses. Please note that a "0" cannot be programmed back to a "1"; only erase operations can convert "0"s to "1"s.

**FLEXIBLE SECTOR PROTECTION:** The AT49BN/BV6416(T) offers two sector protection modes, the Softlock and the Hardlock. The Softlock mode is optimized as sector protection for sectors whose content changes frequently. The Hardlock protection mode is recommended for sectors whose content changes infrequently. Once either of these two modes is enabled, the contents of the selected sector is read-only and cannot be erased or programmed. Each sector can be independently programmed for either the Softlock or Hardlock sector protection mode. At power-up and reset, all sectors have their Softlock protection mode enabled.

**SOFTLOCK AND UNLOCK:** The Softlock protection mode can be disabled by issuing a two-bus cycle Unlock command to the selected sector. Once a sector is unlocked, its contents can be erased or programmed. To enable the Softlock protection mode, a six-bus cycle Softlock command must be issued to the selected sector.

**HARDLOCK AND WRITE PROTECT ( $\overline{WP}$ ):** The Hardlock sector protection mode operates in conjunction with the Write Protection ( $\overline{WP}$ ) pin. The Hardlock sector protection mode can be enabled by issuing a six-bus cycle Hardlock software command to the selected sector. The state of the Write Protect pin affects whether the Hardlock protection mode can be overridden.

- When the  $\overline{WP}$  pin is low and the Hardlock protection mode is enabled, the sector cannot be unlocked and the contents of the sector is read-only.
- When the  $\overline{WP}$  pin is high, the Hardlock protection mode is overridden and the sector can be unlocked via the Unlock command.

To disable the Hardlock sector protection mode, the chip must be either reset or power cycled.

**Table 1.** Hardlock and Softlock Protection Configurations in Conjunction with  $\overline{WP}$

$V_{PP}$	$\overline{WP}$	Hard lock	Soft lock	Erase/ Prog Allowed?	Comments
$V_{CC}/5V$	0	0	0	Yes	No sector is locked
$V_{CC}/5V$	0	0	1	No	Sector is Softlocked. The Unlock command can unlock the sector.
$V_{CC}/5V$	0	1	1	No	Hardlock protection mode is enabled. The sector cannot be unlocked.
$V_{CC}/5V$	1	0	0	Yes	No sector is locked.
$V_{CC}/5V$	1	0	1	No	Sector is Softlocked. The Unlock command can unlock the sector.
$V_{CC}/5V$	1	1	0	Yes	Hardlock protection mode is overridden and the sector is not locked.
$V_{CC}/5V$	1	1	1	No	Hardlock protection mode is overridden and the sector can be unlocked via the Unlock command.
$V_{IL}$	x	x	x	No	Erase and Program Operations cannot be performed.

**SECTOR PROTECTION DETECTION:** A software method is available to determine if the sector protection Softlock or Hardlock features are enabled. When the device is in the software product identification mode (see Software Product Identification Entry and Exit sections) a read from the I/O0 and I/O1 at address location 00002H within a sector will show if the sector is unlocked, softlocked, or hardlocked.

**Table 2.** Sector Protection Status

I/O1	I/O0	Sector Protection Status
0	0	Sector Not Locked
0	1	Softlock Enabled
1	0	Hardlock Enabled
1	1	Both Hardlock and Softlock Enabled

**PROGRAM/ERASE STATUS:** The device provides several bits to determine the status of a program or erase operation: I/O2, I/O3, I/O5, I/O6, and I/O7. All other status bits are don't care. The Table 3 on page 13 and the following four sections describe the function of these bits. To provide greater flexibility for system designers, the AT49BN/BV6416(T) contains a programmable configuration register. The configuration register allows the user to specify the status bit operation. The configuration register can be set to one of two different values, "00" or "01". If the configuration register is set to "00", the part will automatically return to the read mode after a successful program or erase operation. If the configuration register is set to a "01", a Product ID Exit command must be given after a successful program or erase operation before the part will return to the read mode. It is important to note that whether the configuration register is set to a "00" or to a "01",

any unsuccessful program or erase operation requires using the Product ID Exit command to return the device to read mode. The default value (after power-up) for the configuration register is “00”. Using the four-bus cycle set configuration register command as shown in the Command Definition table on page 14, the value of the configuration register can be changed. Voltages applied to the reset pin will not alter the value of the configuration register. The value of the configuration register will affect the operation of the I/O7 status bit as described below.

**DATA POLLING:** The AT49BN/BV6416(T) features  $\overline{\text{Data}}$  Polling to indicate the end of a program cycle. If the status configuration register is set to a “00”, during a program cycle an attempted read of the last byte/word loaded will result in the complement of the loaded data on I/O7. Once the program cycle has been completed, true data is valid on all outputs and the next cycle may begin. During a chip or sector erase operation, an attempt to read the device will give a “0” on I/O7. Once the program or erase cycle has completed, true data will be read from the device.  $\overline{\text{Data}}$  Polling may begin at any time during the program cycle. Please see Table 3 on page 13 for more details.

If the status bit configuration register is set to a “01”, the I/O7 status bit will be low while the device is actively programming or erasing data. I/O7 will go high when the device has completed a program or erase operation. Once I/O7 has gone high, status information on the other pins can be checked.

The  $\overline{\text{Data}}$  Polling status bit must be used in conjunction with the erase/program and  $V_{PP}$  status bit as shown in the algorithm in Figures 2 and 3.

**TOGGLE BIT:** In addition to  $\overline{\text{Data}}$  Polling, the AT49BN/BV6416(T) provides another method for determining the end of a program or erase cycle. During a program or erase operation, successive attempts to read data from the memory will result in I/O6 toggling between one and zero. Once the program cycle has completed, I/O6 will stop toggling and valid data will be read. Examining the toggle bit may begin at any time during a program cycle. Please see Table 3 on page 13 for more details.

The toggle bit status bit should be used in conjunction with the erase/program and  $V_{PP}$  status bit as shown in the algorithm in Figures 4 and 5 on page 12.

**ERASE/PROGRAM STATUS BIT:** The device offers a status bit on I/O5 that indicates whether the program or erase operation has exceeded a specified internal pulse count limit. If the status bit is a “1”, the device is unable to verify that an erase or a byte/word program operation has been successfully performed. The device may also output a “1” on I/O5 if the system tries to program a “1” to a location that was previously programmed to a “0”. Only an erase operation can change a “0” back to a “1”. If a program (Sector Erase) command is issued to a protected sector, the protected sector will not be programmed (erased). The device will go to a status read mode and the I/O5 status bit will be set high, indicating the program (erase) operation did not complete as requested. Once the erase/program status bit has been set to a “1”, the system must write the Product ID Exit command to return to the read mode. The erase/program status bit is a “0” while the erase or program operation is still in progress. Please see Table 3 on page 13 for more details.

**$V_{PP}$  STATUS BIT:** The AT49BN/BV6416(T) provides a status bit on I/O3 that provides information regarding the voltage level of the VPP pin. During a program or erase operation, if the voltage on the VPP pin is not high enough to perform the desired operation successfully, the I/O3 status bit will be a “1”. Once the  $V_{PP}$  status bit has been set to a “1”, the system must write the Product ID Exit command to return to the read mode. On the other hand, if the voltage level is high enough to perform a program or erase operation successfully, the  $V_{PP}$  status bit will output a “0”. Please see Table 3 on page 13 for more details.



**ERASE SUSPEND/ERASE RESUME:** The Erase Suspend command allows the system to interrupt a sector erase operation and then program or read data from a different sector within the same plane. Since this device has a dual plane architecture, there is no need to use the erase suspend feature while erasing a sector when you want to read data from a sector in the other plane. After the Erase Suspend command is given, the device requires a maximum time of 15  $\mu$ s to suspend the erase operation. After the erase operation has been suspended, the plane that contains the suspended sector enters the erase-suspend-read mode. The system can then read data or program data to any other sector within the device. An address is not required during the Erase Suspend command. During a sector erase suspend, another sector cannot be erased. To resume the sector erase operation, the system must write the Erase Resume command. The Erase Resume command is a one-bus cycle command, which does require the plane address. The device also supports an erase suspend during a complete chip erase. While the chip erase is suspended, the user can read from any sector within the memory that is protected. The command sequence for a chip erase suspend and a sector erase suspend are the same.

**PROGRAM SUSPEND/PROGRAM RESUME:** The Program Suspend command allows the system to interrupt a programming operation and then read data from a different word within the memory. After the Program Suspend command is given, the device requires a maximum of 10  $\mu$ s to suspend the programming operation. After the programming operation has been suspended, the system can then read from any other word within the device. An address is not required during the program suspend operation. To resume the programming operation, the system must write the Program Resume command. The program suspend and resume are one-bus cycle commands. The command sequence for the erase suspend and program suspend are the same, and the command sequence for the erase resume and program resume are the same.

**128-BIT PROTECTION REGISTER:** The AT49BN/BV6416(T) contains a 128-bit register that can be used for security purposes in system design. The protection register is divided into two 64-bit blocks. The two blocks are designated as block A and block B. The data in block A is non-changeable and is programmed at the factory with a unique number. The data in block B is programmed by the user and can be locked out such that data in the block cannot be reprogrammed. To program block B in the protection register, the four-bus cycle Program Protection Register command must be used as shown in the Command Definition in Hex table on page 14. To lock out block B, the four-bus cycle lock protection register command must be used as shown in the Command Definition in Hex table. Data bit D1 must be zero during the fourth bus cycle. All other data bits during the fourth bus cycle are don't cares. To determine whether block B is locked out, the Product ID Entry command is given followed by a read operation from address 80H. If data bit D1 is zero, block B is locked. If data bit D1 is one, block B can be reprogrammed. Please see the Protection Register Addressing Table on page 15 for the address locations in the protection register. To read the protection register, the Product ID Entry command is given followed by a normal read operation from an address within the protection register. After determining whether block B is protected or not or reading the protection register, the Product ID Exit command must be given prior to performing any other operation.

**CFI:** Common Flash Interface (CFI) is a published, standardized data structure that may be read from a flash device. CFI allows system software to query the installed device to determine the configurations, various electrical and timing parameters, and functions supported by the device. CFI is used to allow the system to learn how to interface to the flash device most optimally. The two primary benefits of using CFI are ease of upgrading and second source availability. The command to enter the CFI Query mode is a one-bus cycle command which requires writing data 98h to address 55h. The

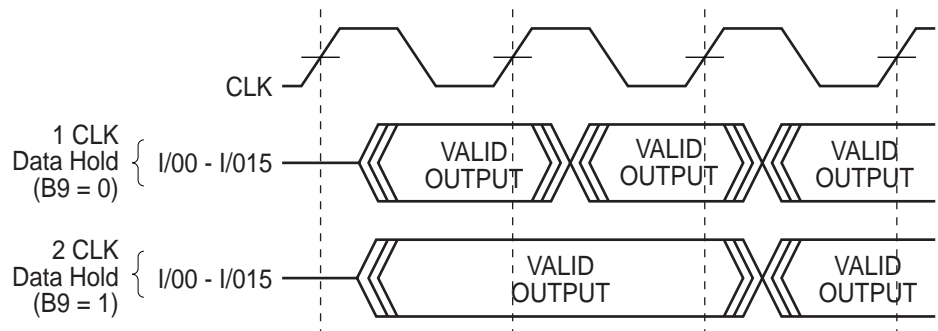
CFI Query command can be written when the device is ready to read data or can also be written when the part is in the product ID mode. Once in the CFI Query mode, the system can read CFI data at the addresses given in Table 5 on page 33. To exit the CFI Query mode, the product ID exit command must be given. If the CFI Query command is given while the part is in the product ID mode, then the product ID exit command must first be given to return the part to the product ID mode. Once in the product ID mode, it will be necessary to give another product ID exit command to return the part to the read mode.

**HARDWARE DATA PROTECTION:** Hardware features protect against inadvertent programs to the AT49BN/BV6416(T) in the following ways: (a)  $V_{CC}$  sense: if  $V_{CC}$  is below 1.8V (typical), the program function is inhibited. (b)  $V_{CC}$  power-on delay: once  $V_{CC}$  has reached the  $V_{CC}$  sense level, the device will automatically time-out 10 ms (typical) before programming. (c) Program inhibit: holding any one of  $\overline{OE}$  low,  $\overline{CE}$  high or  $\overline{WE}$  high inhibits program cycles. (d) Noise filter: pulses of less than 15 ns (typical) on the  $\overline{WE}$  or  $\overline{CE}$  inputs will not initiate a program cycle. (e)  $V_{PP}$  is less than  $V_{ILPP}$ .

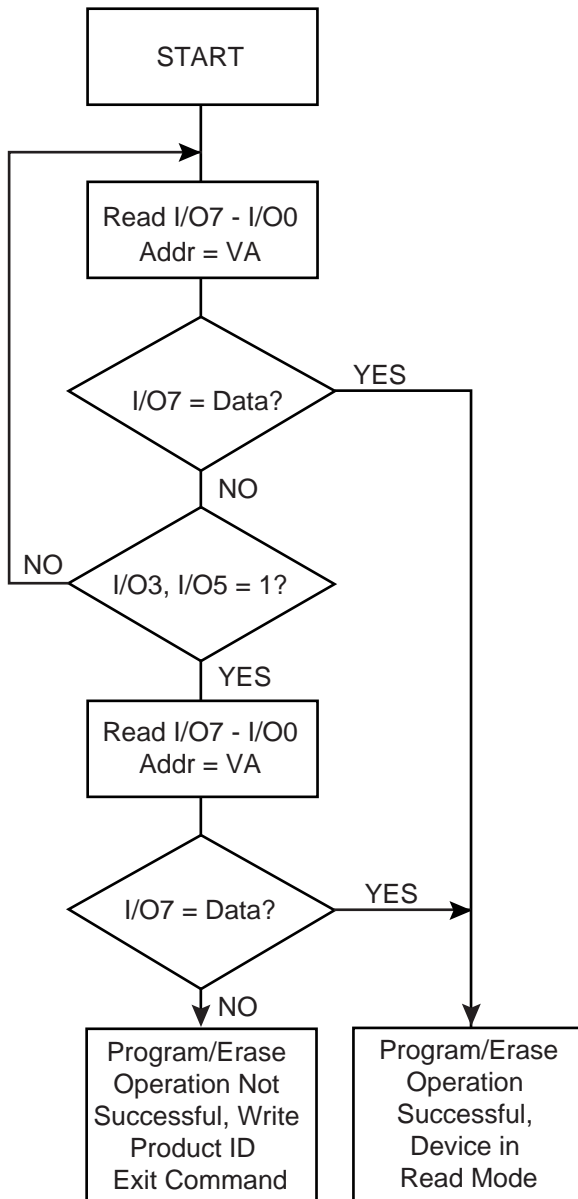
**INPUT LEVELS:** While operating with a 2.7V to 3.1V power supply, the address inputs and control inputs ( $\overline{OE}$ ,  $\overline{CE}$  and  $\overline{WE}$ ) may be driven from 0 to 5.5V without adversely affecting the operation of the device. The I/O lines can be driven from 0 to  $V_{CCQ} + 0.6V$ .

**OUTPUT LEVELS:** For the AT49BN/BV6416(T), output high levels are equal to  $V_{CCQ} - 0.1V$  (not  $V_{CC}$ ). For 2.7V to 3.1V output levels,  $V_{CCQ}$  must be tied to  $V_{CC}$ .

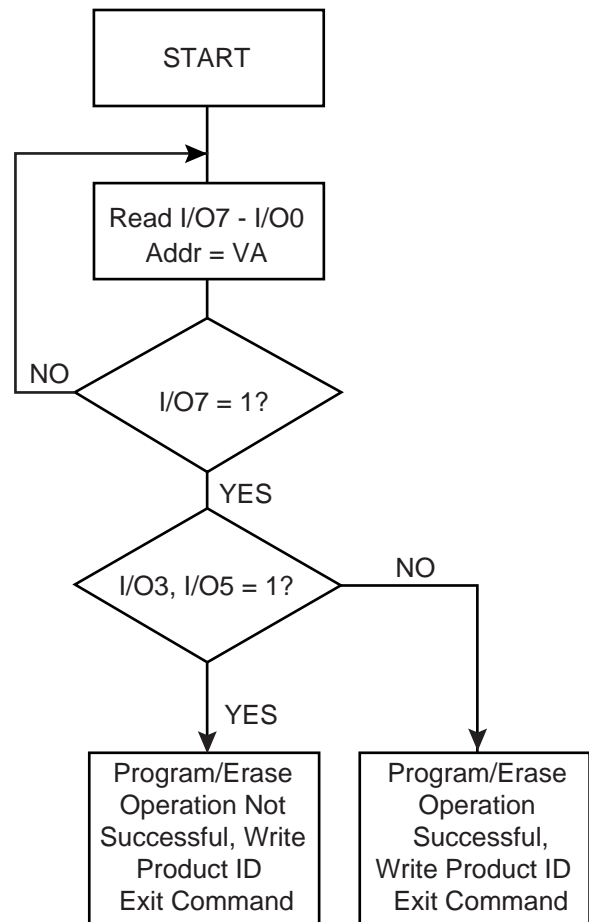
**Figure 1.** Output Configuration



**Figure 2.** Data Polling Algorithm  
(Configuration Register = 00)



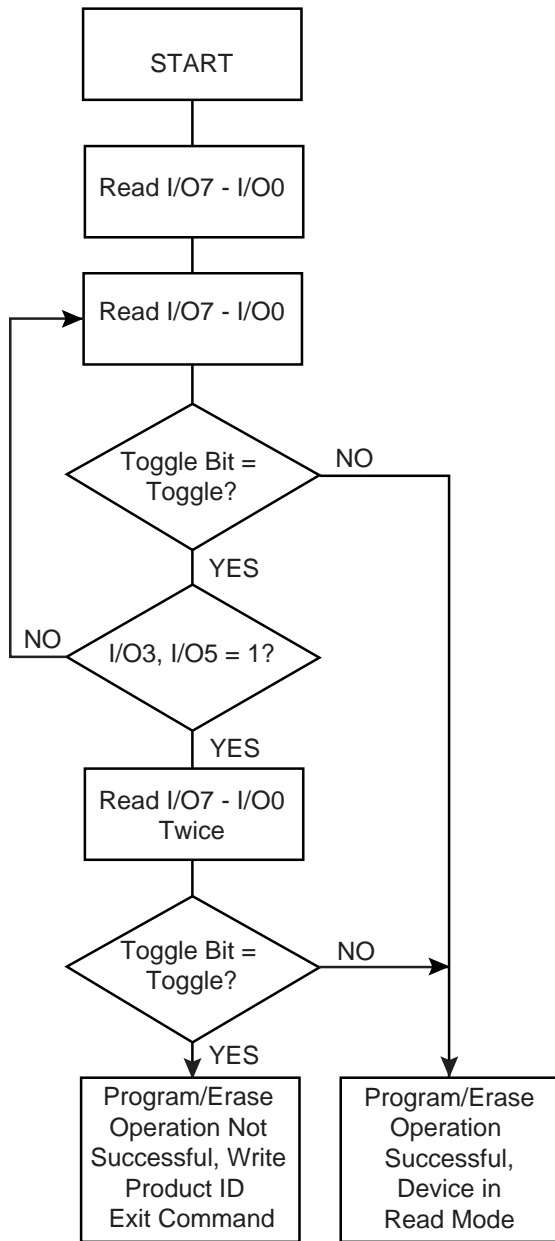
**Figure 3.** Data Polling Algorithm  
(Configuration Register = 01)



Note: 1. VA = Valid address for programming. During a sector erase operation, a valid address is any sector address within the sector being erased. During chip erase, a valid address is any non-protected sector address.

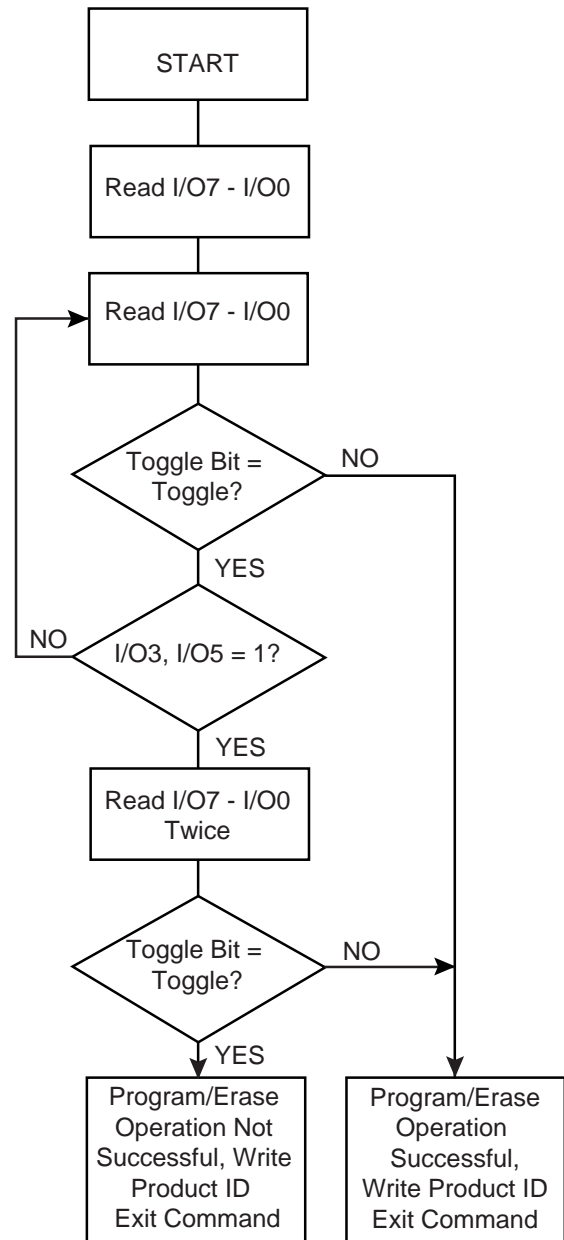
- Notes:
1. VA = Valid address for programming. During a sector erase operation, a valid address is any sector address within the sector being erased. During chip erase, a valid address is any non-protected sector address.
  2. I/O7 should be rechecked even if I/O5 = "1" because I/O7 may change simultaneously with I/O5.

**Figure 4.** Toggle Bit Algorithm  
(Configuration Register = 00)



Note: 1. The system should recheck the toggle bit even if I/O5 = "1" because the toggle bit may stop toggling as I/O5 changes to "1".

**Figure 5.** Toggle Bit Algorithm  
(Configuration Register = 01)



Note: 1. The system should recheck the toggle bit even if I/O5 = "1" because the toggle bit may stop toggling as I/O5 changes to "1".

**Table 3. Status Bit Table**

Configuration Register:	I/O7				I/O6				I/O2			
	00/01	00/01	00/01	00/01	00/01	00/01	00/01	00/01	00/01	00/01	00/01	00/01
Read Address In	Plane A	Plane B	Plane C	Plane D	Plane A	Plane B	Plane C	Plane D	Plane A	Plane B	Plane C	Plane D
While												
Programming in Plane A	$\overline{I/O7}/0$	DATA	DATA	DATA	TOGGLE	DATA	DATA	DATA	1	DATA	DATA	DATA
Programming in Plane B	DATA	$\overline{I/O7}/0$	DATA	DATA	DATA	TOGGLE	DATA	DATA	DATA	1	DATA	DATA
Programming in Plane C	DATA	DATA	$\overline{I/O7}/0$	DATA	DATA	DATA	TOGGLE	DATA	DATA	DATA	1	DATA
Programming in Plane D	DATA	DATA	DATA	$\overline{I/O7}/0$	DATA	DATA	DATA	TOGGLE	DATA	DATA	DATA	1
Erasing in Plane A	0/0	DATA	DATA	DATA	TOGGLE	DATA	DATA	DATA	TOGGLE	DATA	DATA	DATA
Erasing in Plane B	DATA	0/0	DATA	DATA	DATA	TOGGLE	DATA	DATA	DATA	TOGGLE	DATA	DATA
Erasing in Plane C	DATA	DATA	0/0	DATA	DATA	DATA	TOGGLE	DATA	DATA	DATA	TOGGLE	DATA
Erasing in Plane D	DATA	DATA	DATA	0/0	DATA	DATA	DATA	TOGGLE	DATA	DATA	DATA	TOGGLE
Erase Suspended & Read Erasing Sector	1	1	1	1	1	1	1	1	TOGGLE	TOGGLE	TOGGLE	TOGGLE
Erase Suspended & Read Non-erasing Sector	DATA	DATA	DATA	DATA	DATA	DATA	DATA	DATA	DATA	DATA	DATA	DATA
Erase Suspended & Program Non-erasing Sector in Plane A	$\overline{I/O7}/0$	DATA	DATA	DATA	TOGGLE	DATA	DATA	DATA	TOGGLE	DATA	DATA	DATA
Erase Suspended & Program Non-erasing Sector in Plane B	DATA	$\overline{I/O7}/0$	DATA	DATA	DATA	TOGGLE	DATA	DATA	DATA	TOGGLE	DATA	DATA
Erase Suspended & Program Non-erasing Sector in Plane C	DATA	DATA	$\overline{I/O7}/0$	DATA	DATA	DATA	TOGGLE	DATA	DATA	DATA	TOGGLE	DATA
Erase Suspended & Program Non-erasing Sector in Plane D	DATA	DATA	DATA	$\overline{I/O7}/0$	DATA	DATA	DATA	TOGGLE	DATA	DATA	DATA	TOGGLE



## Command Definition in (Hex)<sup>(1)</sup>

Command Sequence	Bus Cycles	1st Bus Cycle		2nd Bus Cycle		3rd Bus Cycle		4th Bus Cycle		5th Bus Cycle		6th Bus Cycle	
		Addr	Data	Addr	Data	Addr	Data	Addr	Data	Addr	Data	Addr	Data
Read	1	Addr	D <sub>OUT</sub>										
Chip Erase	6	555	AA	AAA <sup>(2)</sup>	55	555	80	555	AA	AAA	55	555	10
Plane Erase	6	555	AA	AAA	55	555	80	555	AA	AAA	55	PA <sup>(6)</sup>	20
Sector Erase	6	555	AA	AAA	55	555	80	555	AA	AAA	55	SA <sup>(4)</sup>	30
Word Program	4	555	AA	AAA	55	555	A0	Addr	D <sub>IN</sub>				
Enter Single-pulse Program Mode	6	555	AA	AAA	55	555	80	555	AA	AAA	55	555	A0
Single-pulse Word Program Mode	1	Addr	D <sub>IN</sub>										
Sector Softlock	6	555	AA	AAA	55	555	80	555	AA	AAA	55	SA <sup>(4)</sup>	40
Sector Unlock	2	555	AA	SA <sup>(4)</sup>	70								
Sector Hardlock	6	555	AA	AAA	55	555	80	555	AA	AAA	55	SA <sup>(4)(5)</sup>	60
Erase/Program Suspend	1	xxx	B0										
Erase/Program Resume	1	PA <sup>(6)</sup>	30										
Product ID Entry	3	555	AA	AAA	55	xxx <sup>(7)</sup>	90						
Product ID Exit <sup>(3)</sup>	3	555	AA	AAA	55	555	F0						
Product ID Exit <sup>(3)</sup>	1	xxx	FX										
Program Burst Configuration Register	4	555	AA	AAA	55	555	D0	xxx		<sup>(8)</sup>			
Read Burst Configuration Register	4	555	AA	AAA	55	xxx <sup>(7)</sup>	90	005	D <sub>OUT</sub>				
Program Protection Register – Block B	4	555	AA	AAA	55	555	C0	Addr	D <sub>IN</sub>				
Lock Protection Register – Block B	4	555	AA	AAA	55	555	C0	080	X0				
Status of Block B Protection	4	555	AA	AAA	55	555	90	80	D <sub>OUT</sub> <sup>(9)</sup>				
Set Configuration Register	4	555	AA	AAA	55	555	E0	xxx	00/01 <sup>(10)</sup>				
CFI Query	1	X55	98										

- Notes:
- The DATA FORMAT in each bus cycle is as follows: I/O15 - I/O8 (Don't Care); I/O7 - I/O0 (Hex). The ADDRESS FORMAT in each bus cycle is as follows: A11 - A0 (Hex), A11 - A21 (Don't Care).
  - Since A11 is a Don't Care, AAA can be replaced with 2AA.
  - Either one of the Product ID Exit commands can be used.
  - SA = sector address. Any word address within a sector can be used to designate the sector address (see pages 18 - 19 for details).
  - Once a sector is in the Hardlock protection mode, it cannot be disabled unless the chip is reset or power cycled.
  - PA is the plane address (A21 - A20).
  - For the AT49BN6416/BV6416:
 

xxx = 0XX555 Status Read from Plane A	For the AT49BN6416T/BV6416T:
xxx = 1XX555 Status Read from Plane B	xxx = 3XX555 Status Read from Plane A
xxx = 2XX555 Status Read from Plane C	xxx = 2XX555 Status Read from Plane B
xxx = 3XX555 Status Read from Plane D	xxx = 1XX555 Status Read from Plane C
	xxx = 0XX555 Status Read from Plane D
  - See "Burst Configuration Register" on page 16.
  - If data bit D1 is "0", block B is locked. If data bit D1 is "1", block B can be reprogrammed.
  - The default state (after power-up) of the configuration register is "00".

## Absolute Maximum Ratings\*

Temperature under Bias .....	-55°C to +125°C
Storage Temperature .....	-65°C to +150°C
All Input Voltages Except $V_{PP}$ (including NC Pins) with Respect to Ground .....	-0.6V to +6.25V
$V_{PP}$ Input Voltage with Respect to Ground .....	0V to 13.0V
All Output Voltages with Respect to Ground .....	-0.6V to $V_{CCQ} + 0.6V$

\*NOTICE: Stresses beyond those listed under “Absolute Maximum Ratings” may cause permanent damage to the device. This is a stress rating only and functional operation of the device at these or any other conditions beyond those indicated in the operational sections of this specification is not implied. Exposure to absolute maximum rating conditions for extended periods may affect device reliability.

## Protection Register Addressing Table

Word	Use	Block	A7	A6	A5	A4	A3	A2	A1	A0
0	Factory	A	1	0	0	0	0	0	0	1
1	Factory	A	1	0	0	0	0	0	1	0
2	Factory	A	1	0	0	0	0	0	1	1
3	Factory	A	1	0	0	0	0	1	0	0
4	User	B	1	0	0	0	0	1	0	1
5	User	B	1	0	0	0	0	1	1	0
6	User	B	1	0	0	0	0	1	1	1
7	User	B	1	0	0	0	1	0	0	0

Note: 1. All address lines not specified in the above table must be 0 when accessing the Protection Register, i.e., A21 - A8 = 0.



## Burst Configuration Register

B15	0 1 <sup>(1)</sup>	Synchronous Burst Reads Enabled Asynchronous/Page Reads Enabled
B14	0 <sup>(1)</sup> 1 <sup>(2)</sup>	Four Word Page Eight Word Page
B13 - B11:	010 011 100 101 110 <sup>(1)</sup>	Clock Latency of Two Clock Latency of Three Clock Latency of Four Clock Latency of Five Clock Latency of Six
B10	0 1 <sup>(1)</sup>	RDY Signal is Active Low RDY Signal is Active High
B9	0 1 <sup>(1)</sup>	Hold Data for One Clock Hold Data for Two Clocks
B8	0 1 <sup>(1)</sup>	RDY Asserted during Clock Cycle in which Data is Valid RDY Asserted One Clock Cycle before Data is Valid
B7	0 1 <sup>(1)</sup>	Interleaved Burst Sequence Linear Burst Sequence
B6	0 1 <sup>(1)</sup>	Burst Starts and Data Output on Falling Clock Edge Burst Starts and Data Output on Rising Clock Edge
B5 - B4	00 <sup>(1)</sup>	Reserved for Future Use
B3	0 1 <sup>(1)</sup>	Wrap Burst Within Burst length set by B2 - B0 Don't Wrap Accesses Within Burst Length set by B2 - B0
B2 - B0	001 010 111 <sup>(1)</sup>	Four-word Burst Eight-word Burst Continuous Burst

- Note: 1. Default State  
2. This feature is not available on the AT49BV6416(T).

## Clock Latency versus Input Clock Frequency

Minimum Clock Latency (Minimum Number of Clocks Following Address Latch)	Input Clock Frequency
6	≤54 MHz
4	≤40 MHz
2	≤20 MHz



**Table 4. Sequence and Burst Length**

Start Addr. (Decimal)	Wrap B3 = 0	Wrap B3 = 1	Burst Addressing Sequence (Decimal)				
			4-word Burst Length B2 – B0 = 001		8-word Burst Length B2 – B0 = 010		Continuous Burst B2 – B0 = 111
			Linear	Interleaved	Linear	Interleaved	Linear
0	0		0-1-2-3	0-1-2-3	0-1-2-3-4-5-6-7	0-1-2-3-4-5-6-7	0-1-2-3-4-5-6...
1	0		1-2-3-0	1-0-3-2	1-2-3-4-5-6-7-0	1-0-3-2-5-4-7-6	1-2-3-4-5-6-7...
2	0		2-3-0-1	2-3-0-1	2-3-4-5-6-7-0-1	2-3-0-1-6-7-4-5	2-3-4-5-6-7-8...
3	0		3-0-1-2	3-2-1-0	3-4-5-6-7-0-1-2	3-2-1-0-7-6-5-4	3-4-5-6-7-8-9...
4	0				4-5-6-7-0-1-2-3	4-5-6-7-0-1-2-3	4-5-6-7-8-9-10...
5	0				5-6-7-0-1-2-3-4	5-4-7-6-1-0-3-2	5-6-7-8-9-10-11...
6	0				6-7-0-1-2-3-4-5	6-7-4-5-2-3-0-1	6-7-8-9-10-11-12...
7	0				7-0-1-2-3-4-5-6	7-6-5-4-3-2-1-0	7-8-9-10-11-12-13...
...	...	...	...	...	...	...	...
14	0						14-15-16-17-18-19-20
15	0						15-16-17-18-19-20-21
...	...	...	...	...	...	...	...
0		1	0-1-2-3	N/A	0-1-2-3-4-5-6-7	N/A	0-1-2-3-4-5-6...
1		1	1-2-3-4	N/A	1-2-3-4-5-6-7-8	N/A	1-2-3-4-5-6-7...
2		1	2-3-4-5	N/A	2-3-4-5-6-7-8-9	N/A	2-3-4-5-6-7-8...
3		1	3-4-5-6	N/A	3-4-5-6-7-8-9-10	N/A	3-4-5-6-7-8-9...
4		1			4-5-6-7-8-9-10-11	N/A	4-5-6-7-8-9-10...
5		1			5-6-7-8-9-10-11-12	N/A	5-6-7-8-9-10-11...
6		1			6-7-8-9-10-11-12-13	N/A	6-7-8-9-10-11-12...
7		1			7-8-9-10-11-12-13-14	N/A	7-8-9-10-11-12-13...
...	...	...	...	...	...	...	...
14		1					14-15-16-17-18-19-20
15		1					15-16-17-18-19-20-21



### Memory Organization – AT49BN/BV6416

6416 Plane	Sector	Size (Words)	x16 Address Range (A21 - A0)
A	SA0	4K	00000 - 00FFF
A	SA1	4K	01000 - 01FFF
A	SA2	4K	02000 - 02FFF
A	SA3	4K	03000 - 03FFF
A	SA4	4K	04000 - 04FFF
A	SA5	4K	05000 - 05FFF
A	SA6	4K	06000 - 06FFF
A	SA7	4K	07000 - 07FFF
A	SA8	32K	08000 - 0FFFF
A	SA9	32K	10000 - 17FFF
A	SA10	32K	18000 - 1FFFF
A	SA11	32K	20000 - 27FFF
A	SA12	32K	28000 - 2FFFF
A	SA13	32K	30000 - 37FFF
A	SA14	32K	38000 - 3FFFF
A	SA15	32K	40000 - 47FFF
A	SA16	32K	48000 - 4FFFF
A	SA17	32K	50000 - 57FFF
A	SA18	32K	58000 - 5FFFF
A	SA19	32K	60000 - 67FFF
A	SA20	32K	68000 - 6FFFF
A	SA21	32K	70000 - 77FFF
A	SA22	32K	78000 - 7FFFF
A	SA23	32K	80000 - 87FFF
A	SA24	32K	88000 - 8FFFF
A	SA25	32K	90000 - 97FFF
A	SA26	32K	98000 - 9FFFF
A	SA27	32K	A0000 - A7FFF
A	SA28	32K	A8000 - AFFFF
A	SA29	32K	B0000 - B7FFF
A	SA30	32K	B8000 - BFFFF
A	SA31	32K	C0000 - C7FFF
A	SA32	32K	C8000 - CFFFF
A	SA33	32K	D0000 - D7FFF
A	SA34	32K	D8000 - DFFFF
A	SA35	32K	E0000 - E7FFF
A	SA36	32K	E8000 - EFFFF
A	SA37	32K	F0000 - F7FFF
A	SA38	32K	F8000 - FFFFF
B	SA39	32K	100000 - 107FFF
B	SA40	32K	108000 - 10FFFF
B	SA41	32K	110000 - 117FFF
B	SA42	32K	118000 - 11FFFF
B	SA43	32K	120000 - 127FFF
B	SA44	32K	128000 - 12FFFF

### Memory Organization – AT49BN/BV6416 (Continued)

6416 Plane	Sector	Size (Words)	x16 Address Range (A21 - A0)
B	SA45	32K	130000 - 137FFF
B	SA46	32K	138000 - 13FFFF
B	SA47	32K	140000 - 147FFF
B	SA48	32K	148000 - 14FFFF
B	SA49	32K	150000 - 157FFF
B	SA50	32K	158000 - 15FFFF
B	SA51	32K	160000 - 167FFF
B	SA52	32K	168000 - 16FFFF
B	SA53	32K	170000 - 177FFF
B	SA54	32K	178000 - 17FFFF
B	SA55	32K	180000 - 187FFF
B	SA56	32K	188000 - 18FFFF
B	SA57	32K	190000 - 197FFF
B	SA58	32K	198000 - 19FFFF
B	SA59	32K	1A0000 - 1A7FFF
B	SA60	32K	1A8000 - 1AFFFF
B	SA61	32K	1B0000 - 1B7FFF
B	SA62	32K	1B8000 - 1BFFFF
B	SA63	32K	1C0000 - 1C7FFF
B	SA64	32K	1C8000 - 1CFFFF
B	SA65	32K	1D0000 - 1D7FFF
B	SA66	32K	1D8000 - 1DFFFF
B	SA67	32K	1E0000 - 1E7FFF
B	SA68	32K	1E8000 - 1EFFFF
B	SA69	32K	1F0000 - 1F7FFF
B	SA70	32K	1F8000 - 1FFFFF
C	SA71	32K	200000 - 207FFF
C	SA72	32K	208000 - 20FFFF
C	SA73	32K	210000 - 217FFF
C	SA74	32K	218000 - 21FFFF
C	SA75	32K	220000 - 227FFF
C	SA76	32K	228000 - 22FFFF
C	SA77	32K	230000 - 237FFF
C	SA78	32K	238000 - 23FFFF
C	SA79	32K	240000 - 247FFF
C	SA80	32K	248000 - 24FFFF
C	SA81	32K	250000 - 257FFF
C	SA82	32K	258000 - 25FFFF
C	SA83	32K	260000 - 267FFF
C	SA84	32K	268000 - 26FFFF
C	SA85	32K	270000 - 277FFF
C	SA86	32K	278000 - 27FFFF
C	SA87	32K	280000 - 287FFF
C	SA88	32K	288000 - 28FFFF
C	SA89	32K	290000 - 297FFF

**Memory Organization – AT49BN/BV6416 (Continued)**

6416 Plane	Sector	Size (Words)	x16 Address Range (A21 - A0)
C	SA90	32K	298000 - 29FFFF
C	SA91	32K	2A0000 - 2A7FFF
C	SA92	32K	2A8000 - 2AFFFF
C	SA93	32K	2B0000 - 2B7FFF
C	SA94	32K	2B8000 - 2BFFFF
C	SA95	32K	2C0000 - 2C7FFF
C	SA96	32K	2C8000 - 2CFFFF
C	SA97	32K	2D0000 - 2D7FFF
C	SA98	32K	2D8000 - 2DFFFF
C	SA99	32K	2E0000 - 2E7FFF
C	SA100	32K	2E8000 - 2EFFFF
C	SA101	32K	2F0000 - 2F7FFF
D	SA102	32K	2F8000 - 2FFFFF
D	SA103	32K	300000 - 307FFF
D	SA104	32K	308000 - 30FFFF
D	SA105	32K	310000 - 317FFF
D	SA106	32K	318000 - 31FFFF
D	SA107	32K	320000 - 327FFF
D	SA108	32K	328000 - 32FFFF
D	SA109	32K	330000 - 337FFF
D	SA110	32K	338000 - 33FFFF
D	SA111	32K	340000 - 347FFF
D	SA112	32K	348000 - 34FFFF

**Memory Organization – AT49BN/BV6416 (Continued)**

6416 Plane	Sector	Size (Words)	x16 Address Range (A21 - A0)
D	SA113	32K	350000 - 357FFF
D	SA114	32K	358000 - 35FFFF
D	SA115	32K	360000 - 367FFF
D	SA116	32K	368000 - 36FFFF
D	SA117	32K	370000 - 377FFF
D	SA118	32K	378000 - 37FFFF
D	SA119	32K	380000 - 387FFF
D	SA120	32K	388000 - 38FFFF
D	SA121	32K	390000 - 397FFF
D	SA122	32K	398000 - 39FFFF
D	SA123	32K	3A0000 - 3A7FFF
D	SA124	32K	3A8000 - 3AFFFF
D	SA125	32K	3B0000 - 3B7FFF
D	SA126	32K	3B8000 - 3BFFFF
D	SA127	32K	3C0000 - 3C7FFF
D	SA128	32K	3C8000 - 3CFFFF
D	SA129	32K	3D0000 - 3D7FFF
D	SA130	32K	3D8000 - 3DFFFF
D	SA131	32K	3E0000 - 3E7FFF
D	SA132	32K	3E8000 - 3EFFFF
D	SA133	32K	3F0000 - 3F7FFF
D	SA134	32K	3F8000 - 3FFFFF



### Memory Organization – AT49BN/BV6416T

6416T Plane	Sector	Size (Words)	x16 Address Range (A21 - A0)
D	SA0	32K	00000 - 07FFF
D	SA1	32K	08000 - 0FFFF
D	SA2	32K	10000 - 17FFF
D	SA3	32K	18000 - 1FFFF
D	SA4	32K	20000 - 27FFF
D	SA5	32K	28000 - 2FFFF
D	SA6	32K	30000 - 37FFF
D	SA7	32K	38000 - 3FFFF
D	SA8	32K	40000 - 47FFF
D	SA9	32K	48000 - 4FFFF
D	SA10	32K	50000 - 57FFF
D	SA11	32K	58000 - 5FFFF
D	SA12	32K	60000 - 67FFF
D	SA13	32K	68000 - 6FFFF
D	SA14	32K	70000 - 77FFF
D	SA15	32K	78000 - 7FFFF
D	SA16	32K	80000 - 87FFF
D	SA17	32K	88000 - 8FFFF
D	SA18	32K	90000 - 97FFF
D	SA19	32K	98000 - 9FFFF
D	SA20	32K	A0000 - A7FFF
D	SA21	32K	A8000 - AFFFF
D	SA22	32K	B0000 - B7FFF
D	SA23	32K	B8000 - BFFFF
D	SA24	32K	C0000 - C7FFF
D	SA25	32K	C8000 - CFFFF
D	SA26	32K	D0000 - D7FFF
D	SA27	32K	D8000 - DFFFF
D	SA28	32K	E0000 - E7FFF
D	SA29	32K	E8000 - EFFFF
D	SA30	32K	F0000 - F7FFF
D	SA31	32K	F8000 - FFFFF
C	SA32	32K	100000 - 107FFF
C	SA33	32K	108000 - 10FFFF
C	SA34	32K	110000 - 117FFF
C	SA35	32K	118000 - 11FFFF
C	SA36	32K	120000 - 127FFF
C	SA37	32K	128000 - 12FFFF
C	SA38	32K	130000 - 137FFF
C	SA39	32K	138000 - 13FFFF
C	SA40	32K	140000 - 147FFF
C	SA41	32K	148000 - 14FFFF
C	SA42	32K	150000 - 157FFF
C	SA43	32K	158000 - 15FFFF
C	SA44	32K	160000 - 167FFF

### Memory Organization – AT49BN/BV6416T (Continued)

6416T Plane	Sector	Size (Words)	x16 Address Range (A21 - A0)
C	SA45	32K	168000 - 16FFFF
C	SA46	32K	170000 - 177FFF
C	SA47	32K	178000 - 17FFFF
C	SA48	32K	180000 - 187FFF
C	SA49	32K	188000 - 18FFFF
C	SA50	32K	190000 - 197FFF
C	SA51	32K	198000 - 19FFFF
C	SA52	32K	1A0000 - 1A7FFF
C	SA53	32K	1A8000 - 1AFFFF
C	SA54	32K	1B0000 - 1B7FFF
C	SA55	32K	1B8000 - 1BFFFF
C	SA56	32K	1C0000 - 1C7FFF
C	SA57	32K	1C8000 - 1CFFFF
C	SA58	32K	1D0000 - 1D7FFF
C	SA59	32K	1D8000 - 1DFFFF
C	SA60	32K	1E0000 - 1E7FFF
C	SA61	32K	1E8000 - 1EFFFF
C	SA62	32K	1F0000 - 1F7FFF
C	SA63	32K	1F8000 - 1FFFFF
B	SA64	32K	200000 - 207FFF
B	SA65	32K	208000 - 20FFFF
B	SA66	32K	210000 - 217FFF
B	SA67	32K	218000 - 21FFFF
B	SA68	32K	220000 - 227FFF
B	SA69	32K	228000 - 22FFFF
B	SA70	32K	230000 - 237FFF
B	SA71	32K	238000 - 23FFFF
B	SA72	32K	240000 - 247FFF
B	SA73	32K	248000 - 24FFFF
B	SA74	32K	250000 - 257FFF
B	SA75	32K	258000 - 25FFFF
B	SA76	32K	260000 - 267FFF
B	SA77	32K	268000 - 26FFFF
B	SA78	32K	270000 - 277FFF
B	SA79	32K	278000 - 27FFFF
B	SA80	32K	280000 - 287FFF
B	SA81	32K	288000 - 28FFFF
B	SA82	32K	290000 - 297FFF
B	SA83	32K	298000 - 29FFFF
B	SA84	32K	2A0000 - 2A7FFF
B	SA85	32K	2A8000 - 2AFFFF
B	SA86	32K	2B0000 - 2B7FFF
B	SA87	32K	2B8000 - 2BFFFF
B	SA88	32K	2C0000 - 2C7FFF
B	SA89	32K	2C8000 - 2CFFFF

**Memory Organization – AT49BN/BV6416T (Continued)**

6416T Plane	Sector	Size (Words)	x16 Address Range (A21 - A0)
B	SA90	32K	2D0000 - 2D7FFF
B	SA91	32K	2D8000 - 2DFFFF
B	SA92	32K	2E0000 - 2E7FFF
B	SA93	32K	2E8000 - 2EFFFF
B	SA94	32K	2F0000 - 2F7FFF
B	SA95	32K	2F8000 - 2FFFFFF
A	SA96	32K	300000 - 307FFF
A	SA97	32K	308000 - 30FFFF
A	SA98	32K	310000 - 317FFF
A	SA99	32K	318000 - 31FFFF
A	SA100	32K	320000 - 327FFF
A	SA101	32K	328000 - 32FFFF
A	SA102	32K	330000 - 337FFF
A	SA103	32K	338000 - 33FFFF
A	SA104	32K	340000 - 347FFF
A	SA105	32K	348000 - 34FFFF
A	SA106	32K	350000 - 357FFF
A	SA107	32K	358000 - 35FFFF
A	SA108	32K	360000 - 367FFF
A	SA109	32K	368000 - 36FFFF
A	SA110	32K	370000 - 377FFF
A	SA111	32K	378000 - 37FFFF
A	SA112	32K	380000 - 387FFF

**Memory Organization – AT49BN/BV6416T (Continued)**

6416T Plane	Sector	Size (Words)	x16 Address Range (A21 - A0)
A	SA113	32K	388000 - 38FFFF
A	SA114	32K	390000 - 397FFF
A	SA115	32K	398000 - 39FFFF
A	SA116	32K	3A0000 - 3A7FFF
A	SA117	32K	3A8000 - 3AFFFF
A	SA118	32K	3B0000 - 3B7FFF
A	SA119	32K	3B8000 - 3BFFFF
A	SA120	32K	3C0000 - 3C7FFF
A	SA121	32K	3C8000 - 3CFFFF
A	SA122	32K	3D0000 - 3D7FFF
A	SA123	32K	3D8000 - 3DFFFF
A	SA124	32K	3E0000 - 3E7FFF
A	SA125	32K	3E8000 - 3EFFFF
A	SA126	32K	3F0000 - 3F7FFF
A	SA127	4K	3F8000 - 3F8FFF
A	SA128	4K	3F9000 - 3F9FFF
A	SA129	4K	3FA000 - 3FAFFF
A	SA130	4K	3FB000 - 3FBFFF
A	SA131	4K	3FC000 - 3FCFFF
A	SA132	4K	3FD000 - 3FDFFF
A	SA133	4K	3FE000 - 3FEFFF
A	SA134	4K	3FF000 - 3FFFFFF



## DC and AC Operating Range

		AT49BN/BV6416(T) - 70	AT49BN/BV6416(T) - 85
Operating Temperature (Case)	Industrial	-40°C - 85°C	-40°C - 85°C
V <sub>CC</sub> Power Supply		2.7V - 3.6V	2.7V - 3.6V

## Operating Modes

Mode	$\overline{CE}$	$\overline{OE}$	$\overline{WE}$	$\overline{RESET}$	V <sub>PP</sub> <sup>(5)</sup>	Ai	I/O
Read	V <sub>IL</sub>	V <sub>IL</sub>	V <sub>IH</sub>	V <sub>IH</sub>	X	Ai	D <sub>OUT</sub>
Burst Read	V <sub>IL</sub>	V <sub>IL</sub>	V <sub>IH</sub>	V <sub>IH</sub>	X	Ai	D <sub>OUT</sub>
Program/Erase <sup>(3)</sup>	V <sub>IL</sub>	V <sub>IH</sub>	V <sub>IL</sub>	V <sub>IH</sub>	V <sub>IHPP</sub> <sup>(6)</sup>	Ai	D <sub>IN</sub>
Standby/Program Inhibit	V <sub>IH</sub>	X <sup>(1)</sup>	X	V <sub>IH</sub>	X	X	High Z
Program Inhibit	X	X	V <sub>IH</sub>	V <sub>IH</sub>	X		
	X	V <sub>IL</sub>	X	V <sub>IH</sub>	X		
	X	X	X	X	V <sub>ILPP</sub> <sup>(7)</sup>		
Output Disable	X	V <sub>IH</sub>	X	V <sub>IH</sub>	X		High Z
Reset	X	X	X	V <sub>IL</sub>	X	X	High Z
Product Identification							
Software <sup>(4)</sup>				V <sub>IH</sub>		A0 = V <sub>IL</sub> , A1 - A21 = V <sub>IL</sub>	Manufacturer Code <sup>(3)</sup>
						A0 = V <sub>IH</sub> , A1 - A21 = V <sub>IL</sub>	Device Code <sup>(3)</sup>

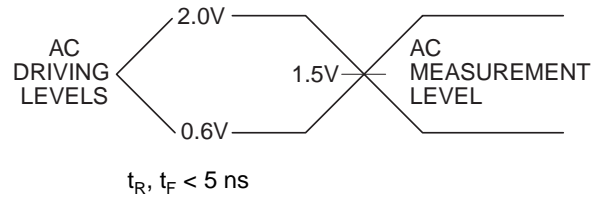
- Notes:
1. X can be V<sub>IL</sub> or V<sub>IH</sub>.
  2. Refer to AC programming waveforms.
  3. Manufacturer Code: 001FH; Device Code: 00D6H - AT49BN6416/BV6416; 00D2H - AT49BN6416T/BV6416T.
  4. See details under "Software Product Identification Entry/Exit" on page 32.
  5. The VPP pin can be tied to V<sub>CC</sub>. For faster program/erase operations, V<sub>PP</sub> can be set to 12.0V ± 0.5V.
  6. V<sub>IHPP</sub> (min) = 1.65V.
  7. V<sub>ILPP</sub> (max) = 0.8V.

## DC Characteristics

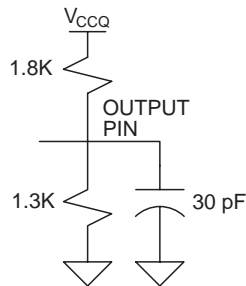
Symbol	Parameter	Condition	Min	Max	Units
$I_{LI}$	Input Load Current	$V_{IN} = 0V$ to $V_{CC}$		1	$\mu A$
$I_{LO}$	Output Leakage Current	$V_{I/O} = 0V$ to $V_{CC}$		1	$\mu A$
$I_{SB1}$	$V_{CC}$ Standby Current CMOS	$\overline{CE} = V_{CCQ} - 0.3V$ to $V_{CC}$		10	$\mu A$
$I_{CC}^{(1)}$	$V_{CC}$ Active Current	$f = 66$ MHz; $I_{OUT} = 0$ mA		30	mA
$I_{CCRE}$	$V_{CC}$ Read While Erase Current	$f = 66$ MHz; $I_{OUT} = 0$ mA		50	mA
$I_{CCRW}$	$V_{CC}$ Read While Write Current	$f = 66$ MHz; $I_{OUT} = 0$ mA		50	mA
$V_{IL}$	Input Low Voltage			0.6	V
$V_{IH}$	Input High Voltage		$V_{CCQ} - 0.6$		V
$V_{OL}$	Output Low Voltage	$I_{OL} = 2.1$ mA		0.45	V
$V_{OH}$	Output High Voltage	$I_{OH} = -100$ $\mu A$ ; $V_{CCQ} = 1.65V - 2.2V$	$V_{CCQ} - 0.1$		V
		$I_{OH} = -400$ $\mu A$ ; $V_{CCQ} = 2.7V - 3.1V$	2.4		

Note: 1. In the erase mode,  $I_{CC}$  is 30 mA.

## Input Test Waveforms and Measurement Level



## Output Test Load



## Pin Capacitance

$f = 1$  MHz,  $T = 25^\circ C^{(1)}$

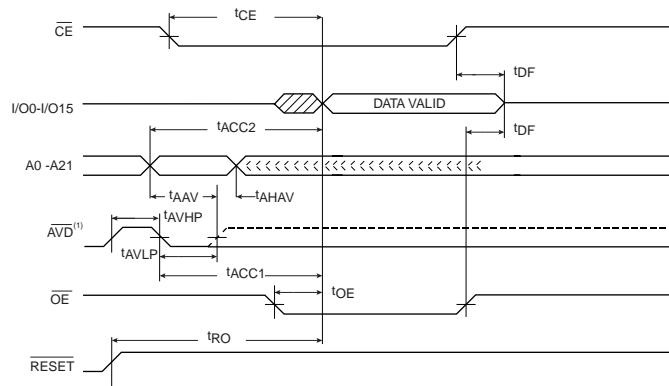
	Typ	Max	Units	Conditions
$C_{IN}$	4	6	pF	$V_{IN} = 0V$
$C_{OUT}$	8	12	pF	$V_{OUT} = 0V$

Note: 1. This parameter is characterized and is not 100% tested.

## AC Asynchronous Read Timing Characteristics

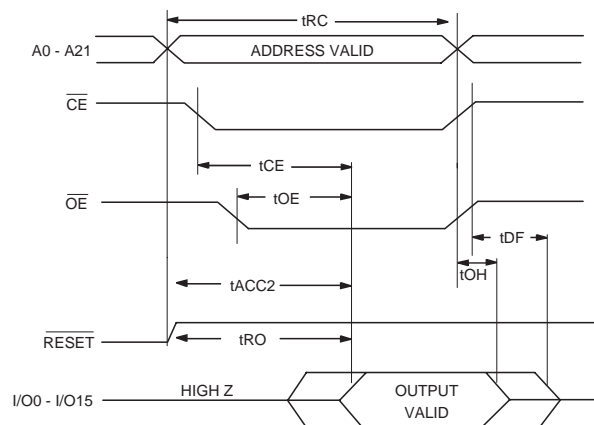
Symbol	Parameter	Min	Max	Units
$t_{ACC1}$	Access, $\overline{AVD}$ To Data Valid		70	ns
$t_{ACC2}$	Access, Address to Data Valid		70	ns
$t_{CE}$	Access, $\overline{CE}$ to Data Valid		70	ns
$t_{OE}$	$\overline{OE}$ to Data Valid		20	ns
$t_{AHAV}$	Address Hold from $\overline{AVD}$	9		ns
$t_{AVLP}$	$\overline{AVD}$ Low Pulse Width	10		ns
$t_{AVHP}$	$\overline{AVD}$ High Pulse Width	10		ns
$t_{AAV}$	Address Valid to $\overline{AVD}$	7		ns
$t_{DF}$	$\overline{CE}$ , $\overline{OE}$ High to Data Float		25	ns
$t_{RO}$	$\overline{RESET}$ to Output Delay		150	ns

### $\overline{AVD}$ Pulsed Asynchronous Read Cycle Waveform<sup>(1)(2)</sup>



- Note:
1. After the high-to-low transition on  $\overline{AVD}$ ,  $\overline{AVD}$  may remain low as long as the address is stable.
  2. CLK may be static high or static low.

### Asynchronous Read Cycle Waveform<sup>(1)(2)(3)(4)</sup>



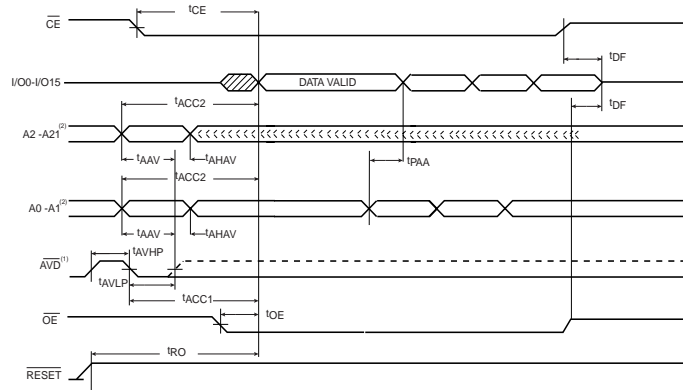
- Notes:
1.  $\overline{CE}$  may be delayed up to  $t_{ACC} - t_{CE}$  after the address transition without impact on  $t_{ACC}$ .
  2.  $\overline{OE}$  may be delayed up to  $t_{CE} - t_{OE}$  after the falling edge of  $\overline{CE}$  without impact on  $t_{CE}$  or by  $t_{ACC} - t_{OE}$  after an address change without impact on  $t_{ACC}$ .
  3.  $t_{DF}$  is specified from  $\overline{OE}$  or  $\overline{CE}$ , whichever occurs first (CL = 5 pF).
  4.  $\overline{AVD}$  and CLK should be tied low.



## AC Asynchronous Read Timing Characteristics

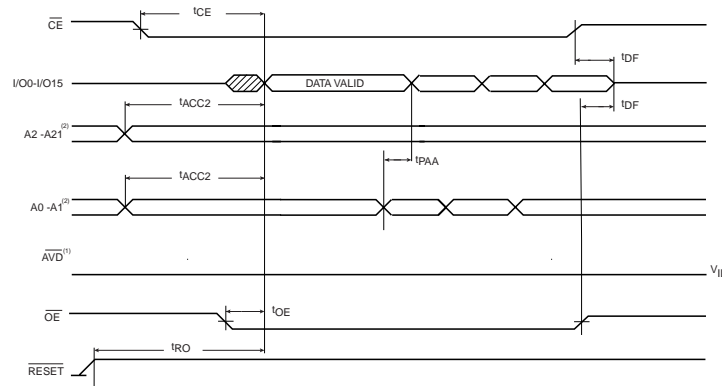
Symbol	Parameter	Min	Max	Units
$t_{ACC1}$	Access, $\overline{AVD}$ To Data Valid		70	ns
$t_{ACC2}$	Access, Address to Data Valid		70	ns
$t_{CE}$	Access, $\overline{CE}$ to Data Valid		70	ns
$t_{OE}$	$\overline{OE}$ to Data Valid		20	ns
$t_{AHAV}$	Address Hold from $\overline{AVD}$	9		ns
$t_{AVLP}$	$\overline{AVD}$ Low Pulse Width	10		ns
$t_{AVHP}$	$\overline{AVD}$ High Pulse Width	10		ns
$t_{AAV}$	Address Valid to $\overline{AVD}$	7		ns
$t_{DF}$	$\overline{CE}$ , $\overline{OE}$ High to Data Float		25	ns
$t_{RO}$	$\overline{RESET}$ to Output Delay		150	ns
$t_{PAA}$	Page Address Access Time		20	ns

### Page Read Cycle Waveform 1<sup>(1)(2)</sup>



- Notes:
1. After the high-to-low transition on  $\overline{AVD}$ ,  $\overline{AVD}$  may remain low as long as the page address is stable.
  2. The diagram shown is for a four-word page read. For an eight-word page read  $A_0 - A_1$  becomes  $A_0 - A_2$  and  $A_2 - A_{21}$  becomes  $A_3 - A_{21}$ .

### Page Read Cycle Waveform 2<sup>(1)(2)</sup>

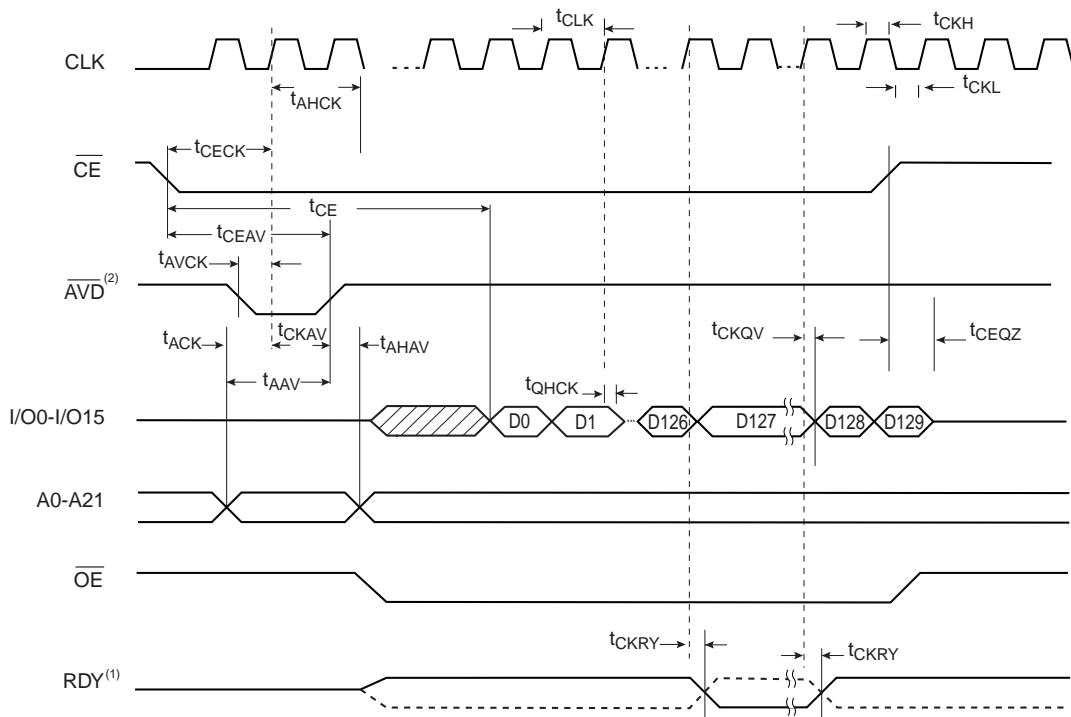


- Notes:
1.  $\overline{AVD}$  may remain low as long as the page address is stable.
  2. The diagram shown is for a four-word page read. For an eight-word page read  $A_0 - A_1$  becomes  $A_0 - A_2$  and  $A_2 - A_{21}$  becomes  $A_3 - A_{21}$ .

## AC Burst Read Timing Characteristics

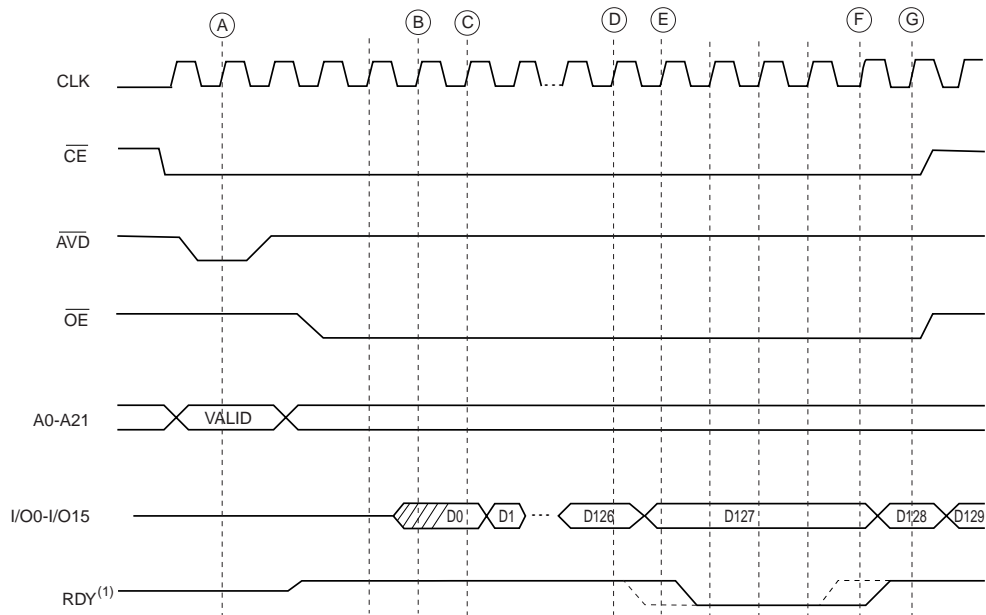
Symbol	Parameter	Min	Max	Units
$t_{CLK}$	CLK Period	15		ns
$t_{CKH}$	CLK High Time	4		ns
$t_{CKL}$	CLK Low Time	4		ns
$t_{CKRT}$	CLK Rise Time		3.5	ns
$t_{CKFT}$	CLK Fall Time		3.5	ns
$t_{ACK}$	Address Valid to Clock	7		ns
$t_{AVCK}$	$\overline{AVD}$ Low to Clock	7		ns
$t_{CECK}$	$\overline{CE}$ Low to Clock	7		ns
$t_{CKAV}$	Clock to $\overline{AVD}$ High	3		ns
$t_{QHCK}$	Output Hold from Clock	3		ns
$t_{AHCK}$	Address Hold from Clock	8		ns
$t_{CKRY}$	Clock to RDY Delay		13.0	ns
$t_{CEAV}$	$\overline{CE}$ Setup to $\overline{AVD}$	7		ns
$t_{AAV}$	Address Valid to $\overline{AVD}$	7		ns
$t_{AHAV}$	Address Hold From $\overline{AVD}$	9		ns
$t_{CKQV}$	CLK to Data Delay		13.0	ns
$t_{CEQZ}$	$\overline{CE}$ High to Output High-Z		10	ns

## Burst Read Cycle Waveform



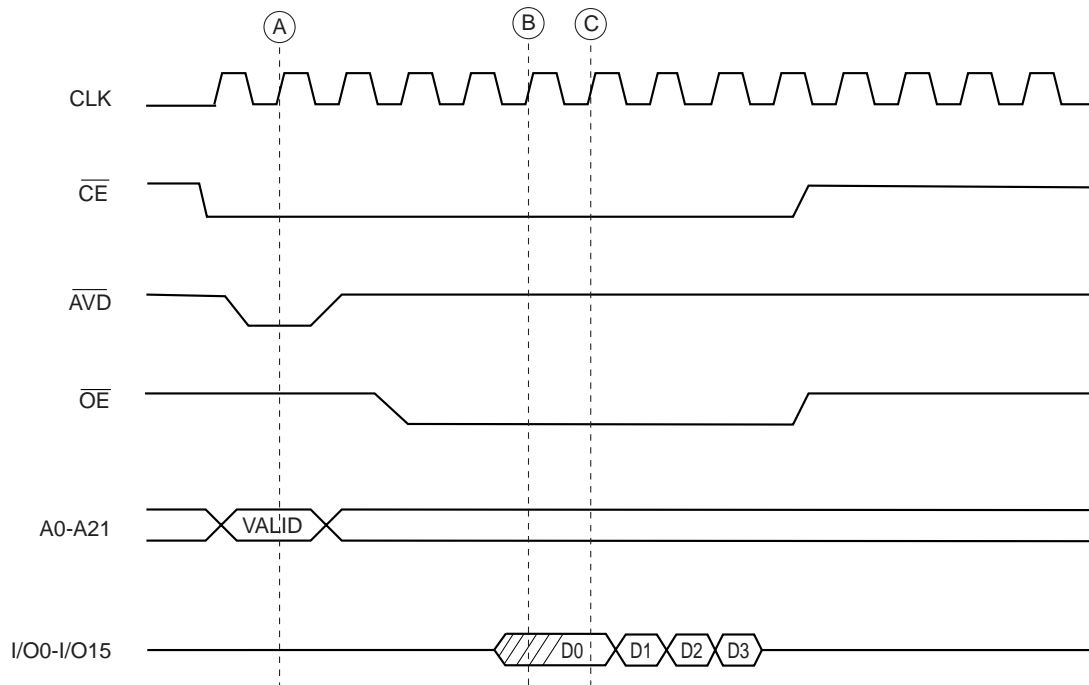
- Notes:
1. The RDY signal (solid line) shown is for a burst configuration register setting of B10 and B8 = 0. The RDY Signal (dashed line) shown is for a burst configuration setting of B10 = 1 and B8 = 0.
  2. After the high-to-low transition on  $\overline{AVD}$ ,  $\overline{AVD}$  may remain low.

### Burst Read Waveform (Clock Latency of 4)



Note: 1. Solid line reflects a B10 and B8 setting of 0 in the configuration register. Dashed line reflects a B10 setting of 0 and B8 setting of 1 in the configuration register.

### Four-word Burst Read Waveform (Clock Latency of 4)

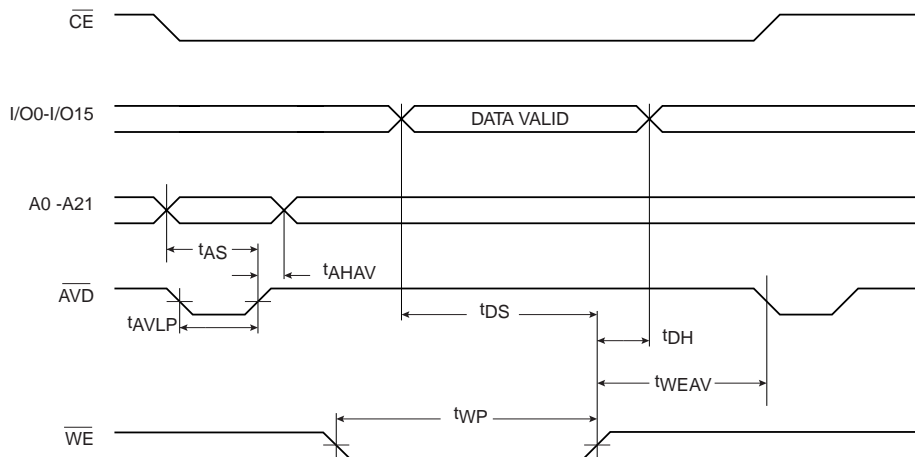


## AC Word Load Characteristics 1

Symbol	Parameter	Min	Max	Units
$t_{AS}$	Address, $\overline{CE}$ Setup Time to $\overline{AVD}$ High	10		ns
$t_{AHAV}$	Address Hold Time from $\overline{AVD}$ High	9		ns
$t_{AVLP}$	$\overline{AVD}$ Low Pulse Width	10		ns
$t_{DS}$	Data Setup Time	15		ns
$t_{DH}$	Data Hold Time	0		ns
$t_{CEAV}$	$\overline{CE}$ Setup to $\overline{AVD}$	10		ns
$t_{WLP}$	$\overline{CE}$ or $\overline{WE}$ Low Pulse Width	35		ns
$t_{WPH}$	$\overline{CE}$ or $\overline{WE}$ High Pulse Width	25		ns
$t_{WEAV}$	$\overline{WE}$ High Time to $\overline{AVD}$ Low	25		ns
$t_{CEAV}$	$\overline{CE}$ High Time to $\overline{AVD}$ Low	25		ns

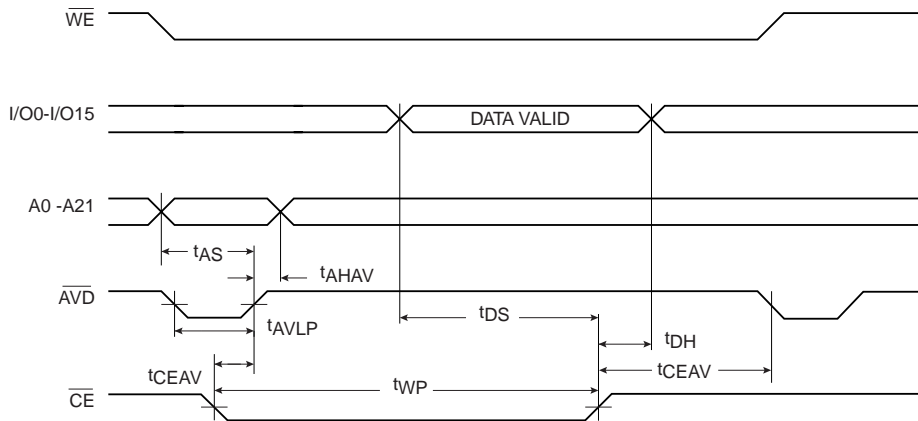
## AC Word Load Waveforms 1

### $\overline{WE}$ Controlled<sup>(1)</sup>



Note: 1. After the high-to-low transition on  $\overline{AVD}$ ,  $\overline{AVD}$  may remain low as long as the CLK input does not toggle.

### $\overline{CE}$ Controlled<sup>(1)</sup>



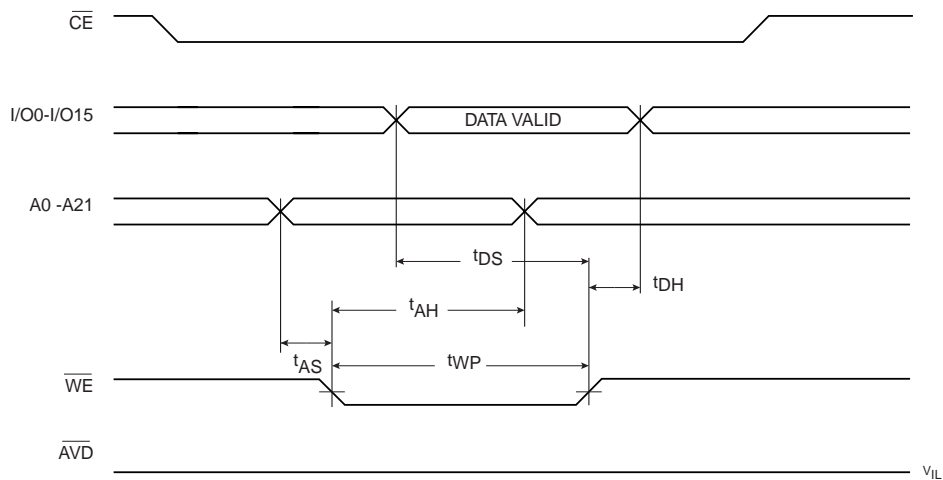
Note: 1. After the high-to-low transition on  $\overline{AVD}$ ,  $\overline{AVD}$  may remain low as long as the CLK input does not toggle.

## AC Word Load Characteristics 2

Symbol	Parameter	Min	Max	Units
$t_{AS}$	Address Setup Time to $\overline{WE}$ and $\overline{CE}$ Low	0		ns
$t_{AH}$	Address Hold Time	20		ns
$t_{DS}$	Data Setup Time	20		ns
$t_{DH}$	Data Hold Time	0		ns
$t_{WLP}$	$\overline{CE}$ or $\overline{WE}$ Low Pulse Width	35		ns
$t_{WPH}$	$\overline{CE}$ or $\overline{WE}$ High Pulse Width	25		ns

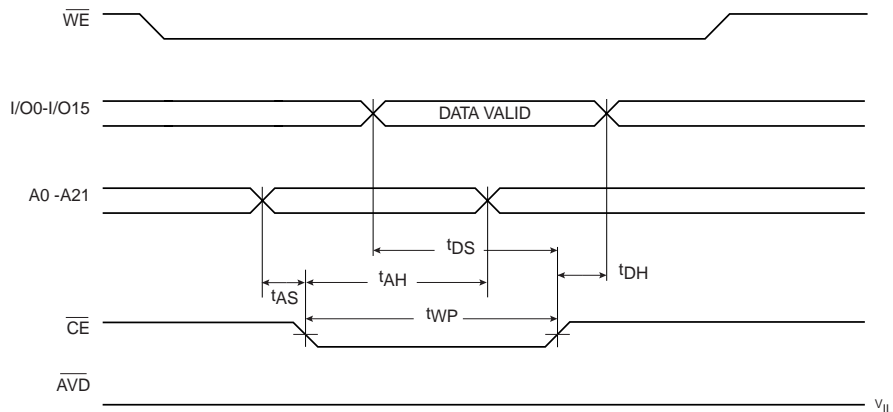
## AC Word Load Waveforms 2

### $\overline{WE}$ Controlled<sup>(1)</sup>



Note: 1. The CLK input should not toggle.

### $\overline{CE}$ Controlled<sup>(1)</sup>

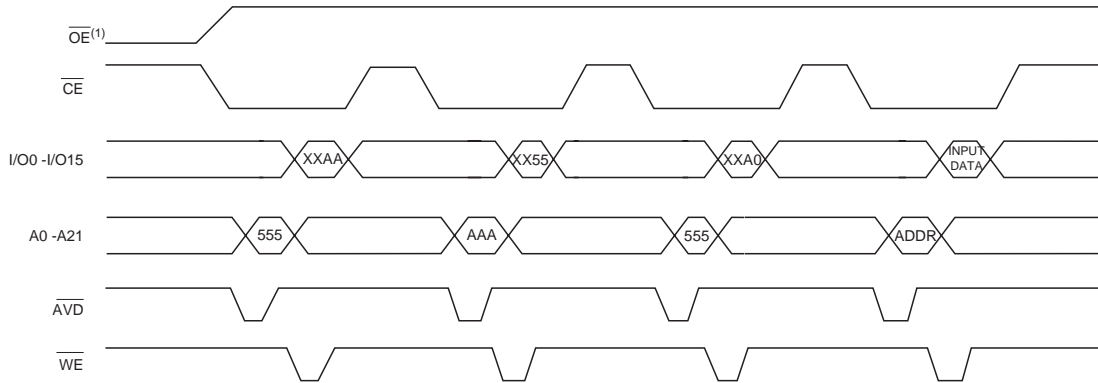


Note: 1. The CLK input should not toggle.

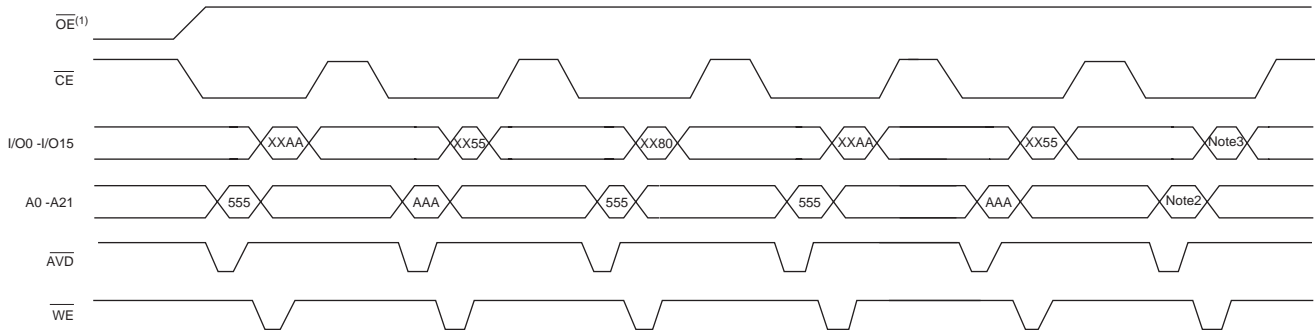
## Program Cycle Characteristics

Symbol	Parameter	Min	Typ	Max	Units
$t_{BP}$	Word Programming Time ( $V_{pp} = V_{CC}$ )		22		$\mu s$
$t_{BPVPP}$	Word Programming Time ( $V_{pp} \geq 11.5V$ )		10		$\mu s$
$t_{SEC1}$	Sector Erase Cycle Time (4K word sectors)		100		ms
$t_{SEC2}$	Sector Erase Cycle Time (32K word sectors)		500		ms
$t_{ES}$	Erase Suspend Time			15	$\mu s$
$t_{PS}$	Program Suspend Time			10	$\mu s$

## Program Cycle Waveforms



## Sector, Plane or Chip Erase Cycle Waveforms



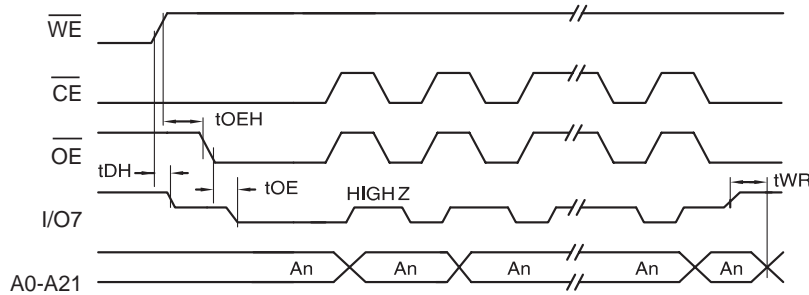
- Notes:
- $\overline{OE}$  must be high only when  $\overline{WE}$  and  $\overline{CE}$  are both low.
  - For chip erase, the address should be 555. For plane or sector erase, the address depends on what plane or sector is to be erased. (See note 4 and 6 under Command Definitions on page 14.)
  - For chip erase, the data should be XX10H, for plane erase, the data should be XX20H, and for sector erase, the data should be XX30H
  - The waveforms shown above use the  $\overline{WE}$  controlled AC Word Load Waveforms 1.

## Data Polling Characteristics

Symbol	Parameter	Min	Typ	Max	Units
$t_{DH}$	Data Hold Time	10			ns
$t_{OE\overline{H}}$	$\overline{OE}$ Hold Time	10			ns
$t_{OE}$	$\overline{OE}$ to Output Delay <sup>(2)</sup>				ns
$t_{WR}$	Write Recovery Time	0			ns

Notes: 1. These parameters are characterized and not 100% tested.  
 2. See  $t_{OE}$  spec on page 24.

## Data Polling Waveforms

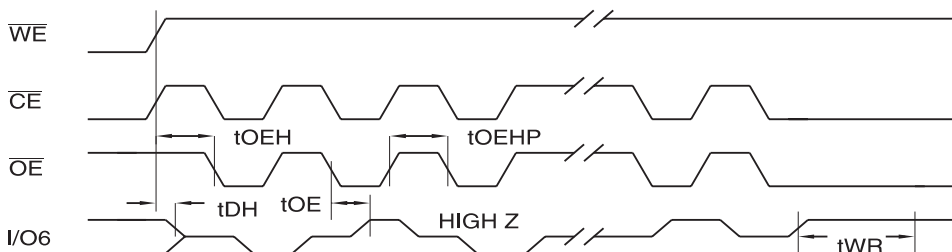


## Toggle Bit Characteristics<sup>(1)</sup>

Symbol	Parameter	Min	Typ	Max	Units
$t_{DH}$	Data Hold Time	10			ns
$t_{OE\overline{H}}$	$\overline{OE}$ Hold Time	10			ns
$t_{OE}$	$\overline{OE}$ to Output Delay <sup>(2)</sup>				ns
$t_{OEHP}$	$\overline{OE}$ High Pulse	50			ns
$t_{WR}$	Write Recovery Time	0			ns

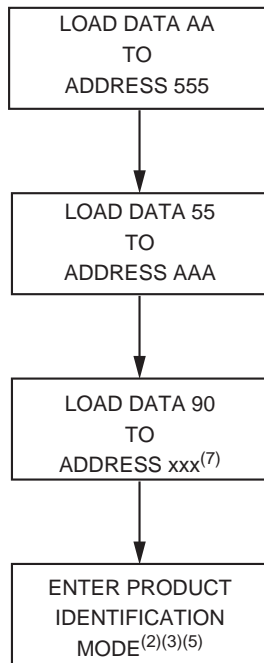
Notes: 1. These parameters are characterized and not 100% tested.  
 2. See  $t_{OE}$  spec on page 24.

## Toggle Bit Waveforms<sup>(1)(2)(3)</sup>

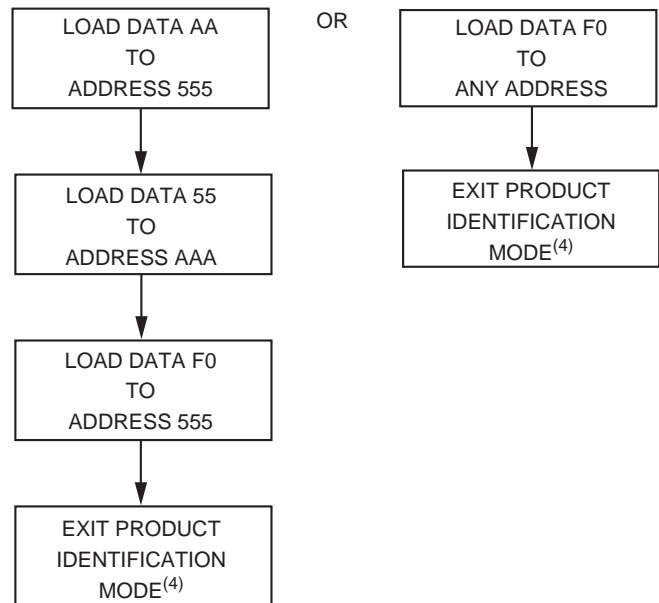


Notes: 1. Toggling either  $\overline{OE}$  or  $\overline{CE}$  or both  $\overline{OE}$  and  $\overline{CE}$  will operate toggle bit. The  $t_{OEHP}$  specification must be met by the toggling input(s).  
 2. Beginning and ending state of I/O6 will vary.  
 3. Any address location may be used but the address should not vary.

## Software Product Identification Entry<sup>(1)</sup>



## Software Product Identification Exit<sup>(1)(6)</sup>



- Notes:
1. Data Format: I/O15 - I/O8 (Don't Care); I/O7 - I/O0 (Hex) Address Format: A11 - A0 (Hex); A12 - A21 (Don't Care).
  2. A1 - A21 =  $V_{IL}$ .  
Manufacturer Code is read for A0 =  $V_{IL}$ ;  
Device Code is read for A0 =  $V_{IH}$ .
  3. The device does not remain in identification mode if powered down.
  4. The device returns to standard operation mode.
  5. Manufacturer Code: 001FH  
Device Code: 00D6H - AT49BN6416/BV6416; 00D2H - AT49BN6416T/BV6416T.
  6. Either one of the Product ID Exit commands can be used.
  7. For the AT49BN6416/BV6416:
 

xxx = 0XX555 Status Read from Plane A	For the AT49BN6416T/BV6416T:
xxx = 1XX555 Status Read from Plane B	xxx = 3XX555 Status Read from Plane A
xxx = 2XX555 Status Read from Plane C	xxx = 2XX555 Status Read from Plane B
xxx = 3XX555 Status Read from Plane D	xxx = 1XX555 Status Read from Plane C
	xxx = 0XX555 Status Read from Plane D

If a read status has been entered for a plane, any read from this plane will be a status read while any read of another plane will be a memory read, either random or burst. Program or erase operations cannot be performed while one of the planes is in the read status mode.



**Table 5.** Common Flash Interface Definition for AT49BN/BV6416(T)

Address	AT49BN/BV6416(T)	Comments
10h	0051h	“Q”
11h	0052h	“R”
12h	0059h	“Y”
13h	0002h	
14h	0000h	
15h	0041h	
16h	0000h	
17h	0000h	
18h	0000h	
19h	0000h	
1Ah	0000h	
1Bh	0027h	VCC min write/erase
1Ch	0031h	VCC max write/erase
1Dh	00B5h	VPP min voltage
1Eh	00C5h	VPP max voltage
1Fh	0004h	Typ word write – 16 $\mu$ s
20h	0000h	
21h	0009h	Typ block erase – 500 ms
22h	0010h	Typ chip erase, 32M bytes – 32,300 ms, 64M bytes – 64,300 ms
23h	0004h	Max word write/typ time
24h	0000h	n/a
25h	0003h	Max block erase/typ block erase
26h	0003h	Max chip erase/ typ chip erase
27h	0017h	Device size
28h	0001h	x16 device
29h	0000h	x16 device
2Ah	0000h	Multiple byte write not supported
2Bh	0000h	Multiple byte write not supported
2Ch	0002h	2 regions, x = 2
2Dh	007Eh	64K bytes, 32M – Y = 62, 64M – Y = 126
2Eh	0000h	64K bytes, 32M – Y = 62, 64M – Y = 126
2Fh	0000h	64K bytes, Z = 256
30h	0001h	64K bytes, Z = 256
31h	0007h	8K bytes, Y = 7
32h	0000h	8K bytes, Y = 7
33h	0020h	8K bytes, Z = 32
34h	0000h	8K bytes, Z = 32



**Table 5.** Common Flash Interface Definition for AT49BN/BV6416(T) (Continued)

Address	AT49BN/BV6416(T)	Comments
<b>VENDOR SPECIFIC EXTENDED QUERY</b>		
41h	0050h	"P"
42h	0052h	"R"
43h	0049h	"I"
44h	0031h	Major version number, ASCII
45h	0030h	Minor version number, ASCII
46h	00BFh	Bit 0 – chip erase supported, 0 – no, 1 – yes Bit 1 – erase suspend supported, 0 – no, 1 – yes Bit 2 – program suspend supported, 0 – no, 1 – yes Bit 3 – simultaneous operations supported, 0 – no, 1 – yes Bit 4 – burst mode read supported, 0 – no, 1 – yes Bit 5 – page mode read supported, 0 – no, 1 – yes Bit 6 – queued erase supported, 0 – no, 1 – yes Bit 7 – protection bits supported, 0 – no, 1 – yes
47h	0000h AT49BN/BV6416T or 0001h AT49BN/BV6416	Bit 0 – top ("0") or bottom ("1") boot block device Undefined bits are "0"
48h	0007h	Bit 0 – 4 word linear burst with wrap around, 0 – no, 1 – yes Bit 1 – 8 word linear burst with wrap around, 0 – no, 1 – yes Bit 2 – continuous burst, 0 – no, 1 – yes Undefined bits are "0"
49h	0003h	Bit 0 – 4 word page, 0 – no, 1 – yes Bit 1 – 8 word page, 0 – no, 1 – yes Undefined bits are "0"
4Ah	0080h	Location of protection register lock byte, the section's first byte
4Bh	0003h	# of bytes in the factory prog section of prot register – 2*n
4Ch	0003h	# of bytes in the user prog section of prot register – 2*n

## AT49BV6416(T) Ordering Information

t <sub>ACC</sub> (ns)	I <sub>CC</sub> (mA)		Ordering Code	Package	Operation Range
	Active	Standby			
70	30	0.01	AT49BV6416-70TI	48T	Industrial (-40° to 85° C)
85	30	0.01	AT49BV6416-85TI	48T	Industrial (-40° to 85° C)
70	30	0.01	AT49BV6416T-70TI	48T	Industrial (-40° to 85° C)
85	30	0.01	AT49BV6416T-85TI	48T	Industrial (-40° to 85° C)

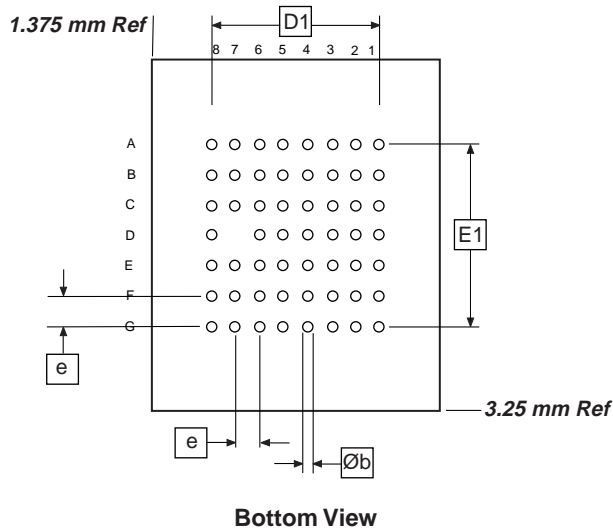
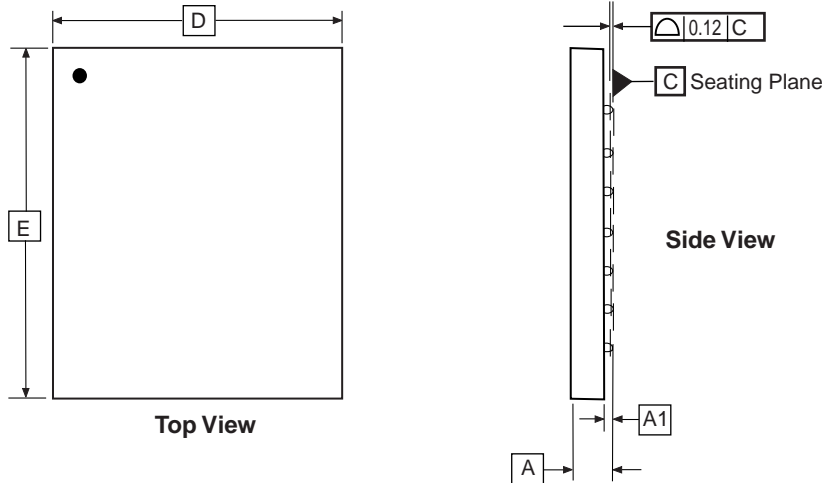
## AT49BN6416(T) Ordering Information

t <sub>ACC</sub> (ns)	I <sub>CC</sub> (mA)		Ordering Code	Package	Operation Range
	Active	Standby			
70	30	0.01	AT49BN6416-70CI	55C1	Industrial (-40° to 85° C)
85	30	0.01	AT49BN6416-85CI	55C1	Industrial (-40° to 85° C)
70	30	0.01	AT49BN6416T-70CI	55C1	Industrial (-40° to 85° C)
85	30	0.01	AT49BN6416T-85CI	55C1	Industrial (-40° to 85° C)

Package Type	
<b>55C1</b>	55-ball, Plastic Chip-size Ball Grid Array Package (CBGA)
<b>48T</b>	48-lead, Plastic Thin Small Outline Package (TSOP)

# Packaging Information – AT49BN6416(T)

## 55C1 – CBGA



**COMMON DIMENSIONS**  
(Unit of Measure = mm)

SYMBOL	MIN	NOM	MAX	NOTE
A	–	–	1.00	
A1	0.23	–	–	
D	7.90	8.00	8.10	
D1	5.25 TYP			
E	10.90	11.00	11.10	
E1	4.50 TYP			
e	0.75 TYP			
øb	0.35 TYP			

3/20/02



2325 Orchard Parkway  
San Jose, CA 95131

**TITLE**

**55C1**, 55-ball (8 x 7 Array), 8 x 11 x 1.0 mm Body, 0.75 mm Ball Pitch  
Ceramic Ball Grid Array Package (CBGA)

**DRAWING NO.**

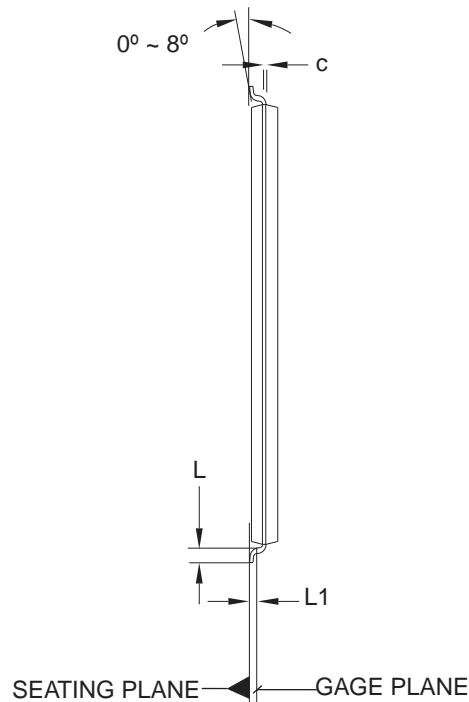
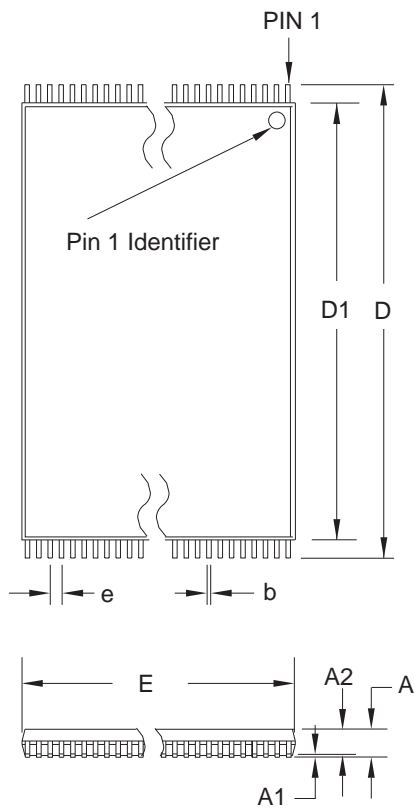
55C1

**REV.**

A

## Packaging Information – AT49BV6416(T)

### 48T – TSOP



**COMMON DIMENSIONS**  
(Unit of Measure = mm)

SYMBOL	MIN	NOM	MAX	NOTE
A	–	–	1.20	
A1	0.05	–	0.15	
A2	0.95	1.00	1.05	
D	19.80	20.00	20.20	
D1	18.30	18.40	18.50	Note 2
E	11.90	12.00	12.10	Note 2
L	0.50	0.60	0.70	
L1	0.25 BASIC			
b	0.17	0.22	0.27	
c	0.10	–	0.21	
e	0.50 BASIC			

- Notes:
1. This package conforms to JEDEC reference MO-142, Variation DD.
  2. Dimensions D1 and E do not include mold protrusion. Allowable protrusion on E is 0.15 mm per side and on D1 is 0.25 mm per side.
  3. Lead coplanarity is 0.10 mm maximum.

10/18/01



2325 Orchard Parkway  
San Jose, CA 95131

**TITLE**

**48T**, 48-lead (12 x 20 mm Package) Plastic Thin Small Outline Package, Type I (TSOP)

**DRAWING NO.**

48T

**REV.**

B





## Atmel Corporation

2325 Orchard Parkway  
San Jose, CA 95131  
Tel: 1(408) 441-0311  
Fax: 1(408) 487-2600

## Regional Headquarters

### Europe

Atmel Sarl  
Route des Arsenalux 41  
Case Postale 80  
CH-1705 Fribourg  
Switzerland  
Tel: (41) 26-426-5555  
Fax: (41) 26-426-5500

### Asia

Room 1219  
Chinachem Golden Plaza  
77 Mody Road Tsimshatsui  
East Kowloon  
Hong Kong  
Tel: (852) 2721-9778  
Fax: (852) 2722-1369

### Japan

9F, Tonetsu Shinkawa Bldg.  
1-24-8 Shinkawa  
Chuo-ku, Tokyo 104-0033  
Japan  
Tel: (81) 3-3523-3551  
Fax: (81) 3-3523-7581

## Atmel Operations

### Memory

2325 Orchard Parkway  
San Jose, CA 95131  
Tel: 1(408) 441-0311  
Fax: 1(408) 436-4314

### Microcontrollers

2325 Orchard Parkway  
San Jose, CA 95131  
Tel: 1(408) 441-0311  
Fax: 1(408) 436-4314

### La Chantrerie

BP 70602  
44306 Nantes Cedex 3, France  
Tel: (33) 2-40-18-18-18  
Fax: (33) 2-40-18-19-60

### ASIC/ASSP/Smart Cards

Zone Industrielle  
13106 Rousset Cedex, France  
Tel: (33) 4-42-53-60-00  
Fax: (33) 4-42-53-60-01

1150 East Cheyenne Mtn. Blvd.  
Colorado Springs, CO 80906  
Tel: 1(719) 576-3300  
Fax: 1(719) 540-1759

Scottish Enterprise Technology Park  
Maxwell Building  
East Kilbride G75 0QR, Scotland  
Tel: (44) 1355-803-000  
Fax: (44) 1355-242-743

### RF/Automotive

Theresienstrasse 2  
Postfach 3535  
74025 Heilbronn, Germany  
Tel: (49) 71-31-67-0  
Fax: (49) 71-31-67-2340

1150 East Cheyenne Mtn. Blvd.  
Colorado Springs, CO 80906  
Tel: 1(719) 576-3300  
Fax: 1(719) 540-1759

### Biometrics/Imaging/Hi-Rel MPU/ High Speed Converters/RF Datacom

Avenue de Rochepleine  
BP 123  
38521 Saint-Egreve Cedex, France  
Tel: (33) 4-76-58-30-00  
Fax: (33) 4-76-58-34-80

---

### e-mail

[literature@atmel.com](mailto:literature@atmel.com)

### Web Site

<http://www.atmel.com>

**Disclaimer:** Atmel Corporation makes no warranty for the use of its products, other than those expressly contained in the Company's standard warranty which is detailed in Atmel's Terms and Conditions located on the Company's web site. The Company assumes no responsibility for any errors which may appear in this document, reserves the right to change devices or specifications detailed herein at any time without notice, and does not make any commitment to update the information contained herein. No licenses to patents or other intellectual property of Atmel are granted by the Company in connection with the sale of Atmel products, expressly or by implication. Atmel's products are not authorized for use as critical components in life support devices or systems.

© Atmel Corporation 2003. All rights reserved. Atmel® and combinations thereof are the registered trademarks of Atmel Corporation or its subsidiaries. Other terms and product names may be the trademarks of others.



Printed on recycled paper.