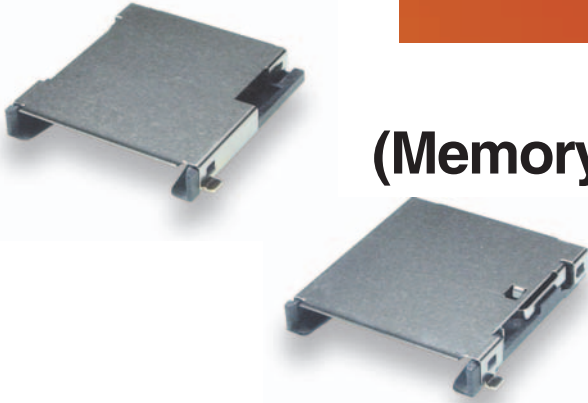


# CCM05 MS & MSD (Memory Stick™ & Memory Stick Duo™)



These connectors are the interface for the two Sony standards of flash memory cards, the Memory Stick and Memory Stick Duo cards.

## Features

- Standard or reverse reading option
- Card withholding blade
- Front metal tab for better PCB tear-off resistance
- Front cover retention for temper resistant card entrance
- Minimized depth design, perfect for portable electronics devices
- Low profile (2.40 mm)

## Physical Data

Contacts	Copper alloy
Contact finish (towards the card)	Copper alloy
Contact finish (towards the PCB)	Gold over nickel
Metal cover	Copper alloy (nickel plated overall)
Cover ground tails	Gold plated over nickel
Molding	High temp. Thermoplastic, UL 94V-0

## Mechanical Data

Number of contacts	10
Operating life standard & reverse type	≥ 10,000 cycles
Contact force (signal contact)	0.20 N min.
Card insertion force	12 N max
Card withdrawal force	2 N min
Vibration	According to IEC 512 part 4, test 6d. 10 to 500 Hz / 50m/s <sup>2</sup> / 3 axis / 2 hours per axis No discontinuity > 1 μs
Mechanical shock	Peak value 500 m/s <sup>2</sup> 11ms. 3 shock in each direction of each axis. No electrical discontinuity 1 μs.

## Contact Electrical Data

Voltage / ct	≤ 5 Vdc
Current / ct	≤ 500 mA
Contact resistance	≤ 100 milliohms
Voltage proof	≥ 500 Vrms
Insulation resistance	1000 MΩ min.

## Environmental Data

Operating temperature	-20°C / +60°C
Storage temperature	-40°C / +85°C
Soldering temperature	230°C / 5 sec according to MIL-STD-202F, method 208
Moisture resistance	40°C / 93% HR / 96 hour according to MIL-STD-202F, method 103B, test condition B
Corrosion	48 hours according to IEC 512 test 11f

## Ordering Code

CCM05-5774 T60	Memory Stick
CCM05-5779 T60	Memory Stick reverse
CCM05-5780 T40	Memory Stick Duo
CCM05-5781 T40	Memory Stick Duo reverse

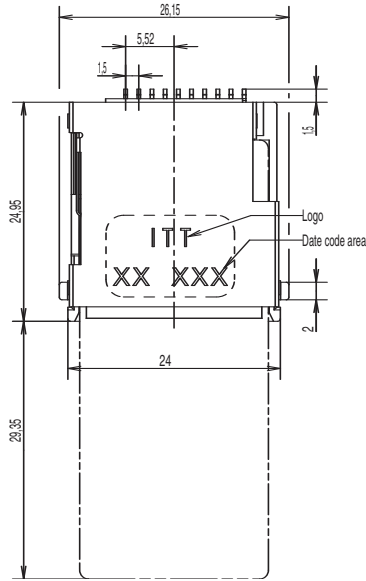
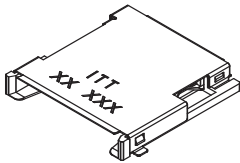
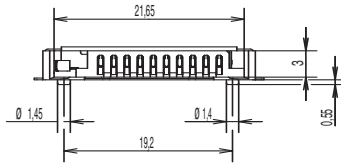
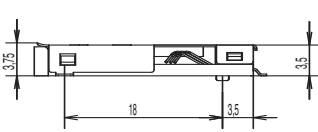
## Packaging

Tray packaging.

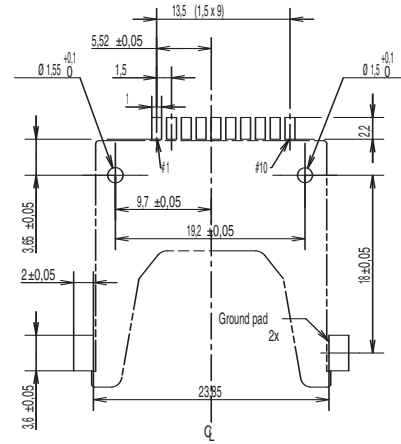
Memory Stick and Memory Stick Duo are trademarks of Sony Corporation.

# CCM05 MS (Memory Stick™)

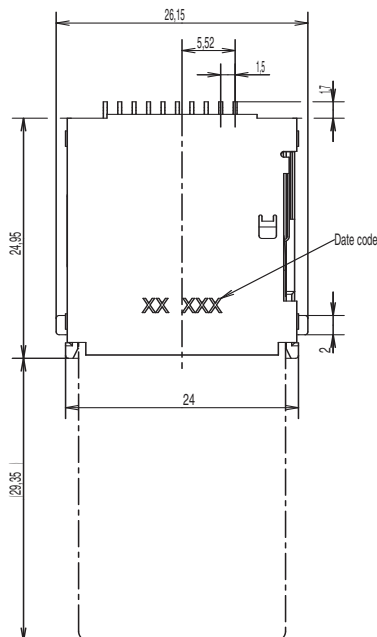
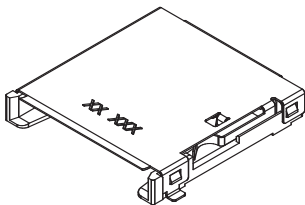
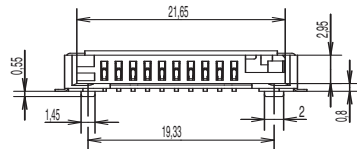
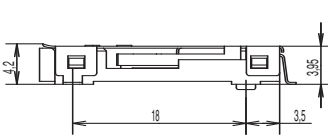
## CCM05-5774



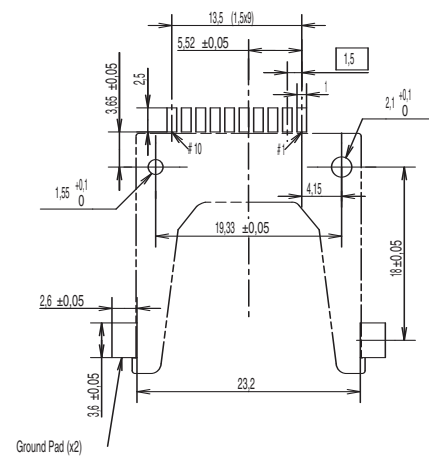
### RECOMMENDED P.C BOARD LAYOUT (Component side)



## CCM05-5779 (reverse)



### RECOMMENDED P.C BOARD LAYOUT (Component side)



Dimensions are shown in mm  
Specifications and dimensions subject to change

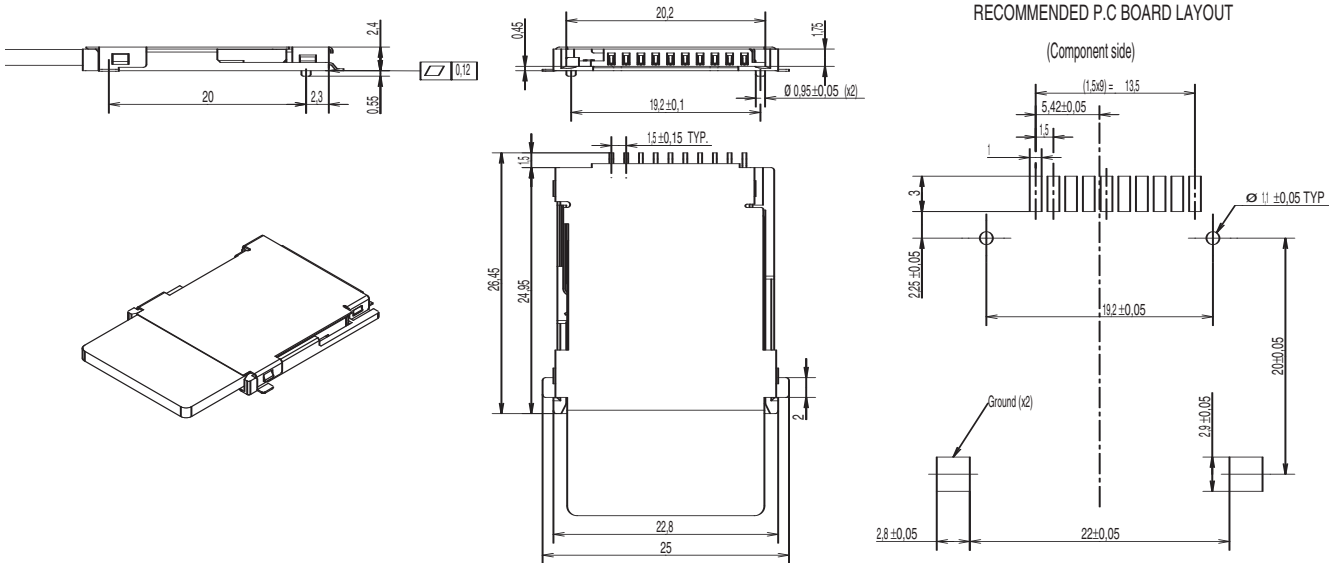
[www.itccannon.com](http://www.itccannon.com)

Cannon

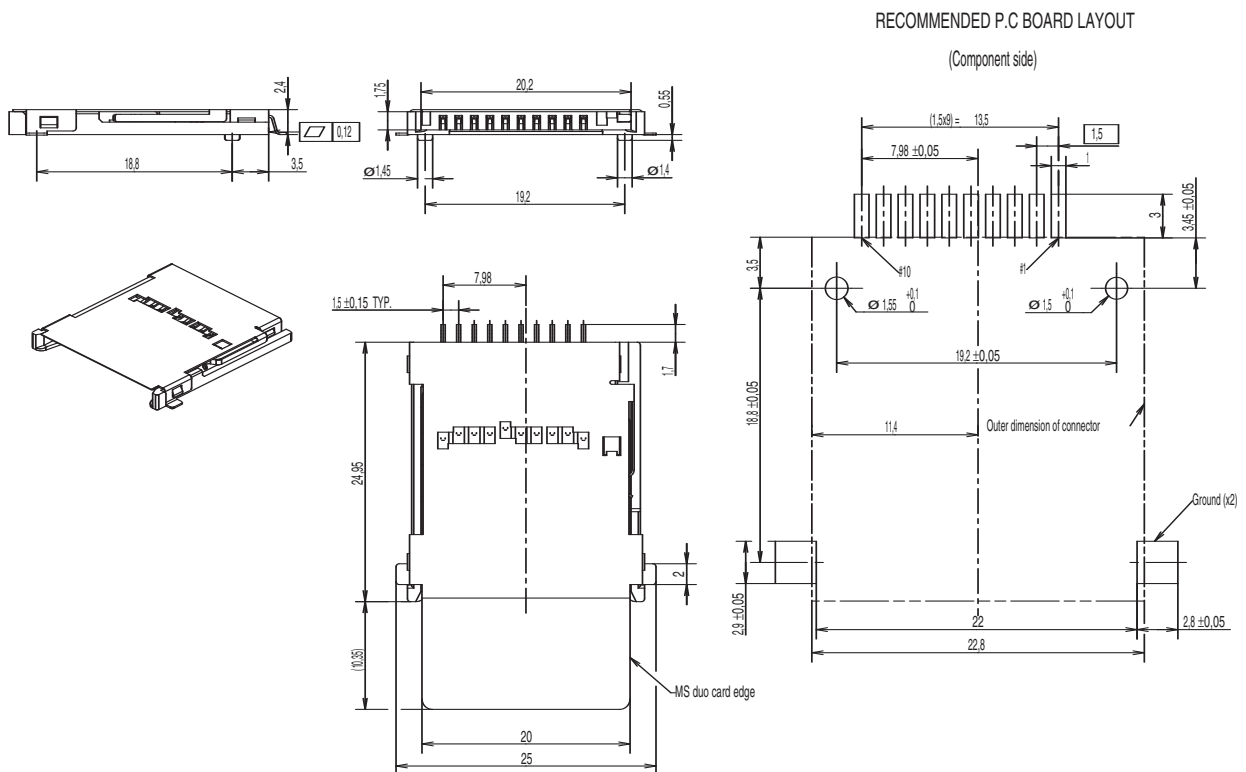
**ITT Industries**  
Engineered for life

# CCM05 MSD (Memory Stick Duo™)

## CCM05-5780



## CCM05-5781 (reverse)



To learn more about our CCM05 MS & MSD product lines, please visit [www.ittcannon.com](http://www.ittcannon.com)

### Customer Support Locations

France: +33.(0) 1.60.24.51.51  
UK: +44.1256.311850

Germany: +49 (30) 43.9990  
USA: 800.635.5936

Hong Kong: +852.2732.2720

Dimensions are shown in mm  
Specifications and dimensions subject to change

[www.ittcannon.com](http://www.ittcannon.com)

Cannon

 **ITT Industries**  
Engineered for life