

Interconnection Cord with Appliance Outlet For low voltage, Angled



70 °C

**Description**

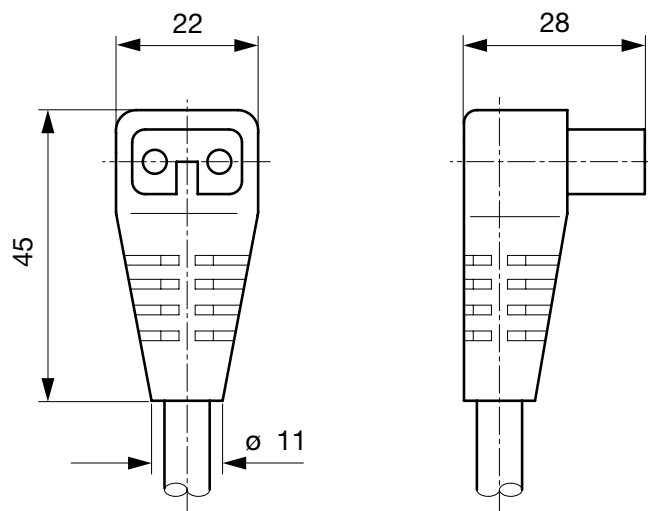
Power Cord, Protection class II, Pin temperature 70 °C, Cable

**References**[General Product Information](#)**Weblinks**[Approvals](#), [RoHS](#), [CHINA-RoHS](#), [Mating Connectors](#), [e-Store](#), [Distributor-Stock-Check](#), [Accessories](#)**Technical Data**

Ratings IEC	7 A / 48 VAC; 50 Hz
Ratings UL/CSA	7 A / 48 VAC; 60 Hz
Dielectric Strength	> 2 kVDC between L-N > 2 kVAC between L/N-PE (1 min/50 Hz)
Allowable Operation Temp.	-25 °C to 70 °C
Degree of Protection	from front side IP 20 acc. to IEC 60529
Protection Class	Suitable for appliances with protection class 2 acc. to IEC 61140
Terminal	moulded
Material: Housing	PVC, black or grey

**Dimensions**

28 mm



## Config. Code

Product Configurator

Type - R - 1253 - D - Length

The characters are placeholders for the correspondingly keys of selections from the key tables. Typ is placed for the connector type on the second end, length is the cord length in mm.

Type - R - 1253 - D - Length = Cord end 2

Cord end 2

zzzz

Type - R - 1253 - D - Length = cord type

cord type

Configuration key

H03VV-F 2x0,75mm <sup>2</sup>	A
H03VWH2-F 2x0,75mm <sup>2</sup>	B
H05VV-F 2x0,75mm <sup>2</sup>	D
H05VWH2-F 2x0,75mm <sup>2</sup>	E
SVT 2x18AWG	M
special cord	Z

Cord definition is detailed in general product information XXX

Type - R - 1253 - D - Length = Color

Color

Configuration key

jet black; RAL9005	A
silver grey; RAL7001	B

standard color: black

Type - R - 1253 - D - Length = Cord length

Cord length

zzzz, 000500, 001000, 001500, 002000, 002500, 003000, 005000

Cord length in mm

## Mating Inlets/Plugs

Category / Description



[Special Connector Designs Overview complete](#)

Appliance inlet for low voltage, Snap-in Mounting, Front Side, Solder or Quick-connect Terminal	1200
Appliance inlet for low voltage, Snap-in Mounting, Front Side, Solder or Quick-connect Terminal	1203

[Special Connector Designs further types to 1253](#)