

# MMBD4148SE

## High Conductance Ultra Fast Diode 350mW

### Features

- Surface Mount Package Ideally Suited for Automatic Insertion
- 150°C Junction Temperature
- Lead Free Finish/Rohs Compliant ("P" Suffix designates RoHS Compliant. See ordering information)

### Mechanical Data

- Epoxy meets UL 94 V-0 flammability rating
- Moisture Sensitivity Level 1
- Marking: D4
- Weight: 0.008 grams ( approx.)

### Maximum Ratings @ 25°C Unless Otherwise Specified

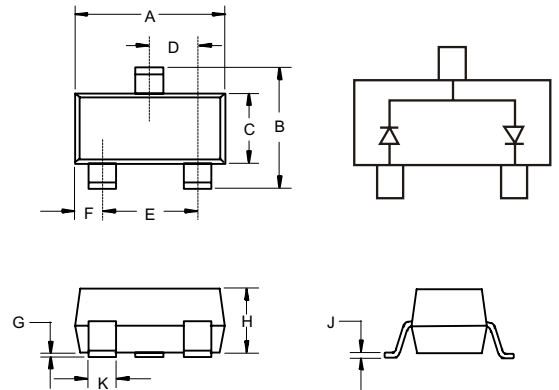
Characteristic	Symbol	Value	Unit
Working Inverse Voltage	$V_{IV}$	75	V
DC Forward Current	$I_{FM}$	600	mA
Average Rectified Current	$I_{F(AV)}$	200	mA
Recurrent Peak Forward Current	$I_{FRM}$	700	mA
Peak Forward Surge Current @ $t=1.0s$ @ $t=1.0\mu s$	$I_{FSM}$	1.0 2.0	A
Power Dissipation	$P_d$	350	mW
Thermal Resistance	R	357	°C/W
Operation & Storage Temp. Range	$T_J, T_{STG}$	-55 to +150	°C

**Note:** 1) These ratings are based on a max. junction temperature of 150 degrees C  
 2) These are steady state limits. The factory should be consulted on applications involving pulsed or low duty cycle operation

### Electrical Characteristics @ 25°C Unless Otherwise Specified

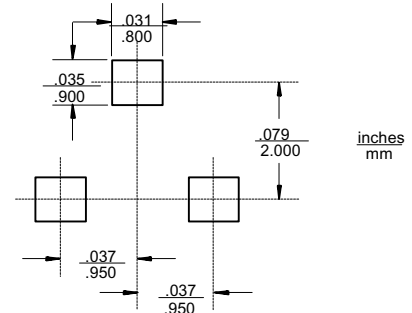
Characteristic	Symbol	Min	Max	Unit	Test Cond.
Breakdown Voltage	$V_R$	75		V	$I_R=5\mu A$
Maximum Instantaneous Forward Voltage	$V_F$		1.0	V	$I_F=10mA$
Maximum Instantaneous Reverse Current	$I_R$		25 50 5.0	nA uA uA	$V_R=20V, T_A=150^\circ C$ $V_R=75V$
Junction Capacitance	$C_j$		4	pF	$V_R=0V, f=1.0MHz$
Reverse Recovery Time	$t_{rr}$		4	ns	$I_F=10mA, V_R=6.0V,$ $I_{RR}=1.0mA,$ $R_L=100 OHM$

### SOT-23



DIM	INCHES		MM		NOTE
	MIN	MAX	MIN	MAX	
A	.110	.120	2.80	3.04	
B	.083	.098	2.10	2.64	
C	.047	.055	1.20	1.40	
D	.035	.041	.89	1.03	
E	.070	.081	1.78	2.05	
F	.018	.024	.45	.60	
G	.0005	.0039	.013	.100	
H	.035	.044	.89	1.12	
J	.003	.007	.085	.180	
K	.015	.020	.37	.51	

### Suggested Solder Pad Layout





Micro Commercial Components

Ordering Information :

Device	Packing
Part Number-TP	Tape&Reel: 3Kpcs/Reel

**\*\*\*IMPORTANT NOTICE\*\*\***

**Micro Commercial Components Corp.** reserves the right to make changes without further notice to any product herein to make corrections, modifications , enhancements , improvements , or other changes . **Micro Commercial Components Corp .** does not assume any liability arising out of the application or use of any product described herein; neither does it convey any license under its patent rights ,nor the rights of others . The user of products in such applications shall assume all risks of such use and will agree to hold **Micro Commercial Components Corp .** and all the companies whose products are represented on our website, harmless against all damages.

**\*\*\*LIFE SUPPORT\*\*\***

MCC's products are not authorized for use as critical components in life support devices or systems without the express written approval of Micro Commercial Components Corporation.

**\*\*\*CUSTOMER AWARENESS\*\*\***

Counterfeiting of semiconductor parts is a growing problem in the industry. Micro Commercial Components (MCC) is taking strong measures to protect ourselves and our customers from the proliferation of counterfeit parts. MCC strongly encourages customers to purchase MCC parts either directly from MCC or from Authorized MCC Distributors who are listed by country on our web page cited below. Products customers buy either from MCC directly or from Authorized MCC Distributors are genuine parts, have full traceability, meet MCC's quality standards for handling and storage. **MCC will not provide any warranty coverage or other assistance for parts bought from Unauthorized Sources.** MCC is committed to combat this global problem and encourage our customers to do their part in stopping this practice by buying direct or from authorized distributors.