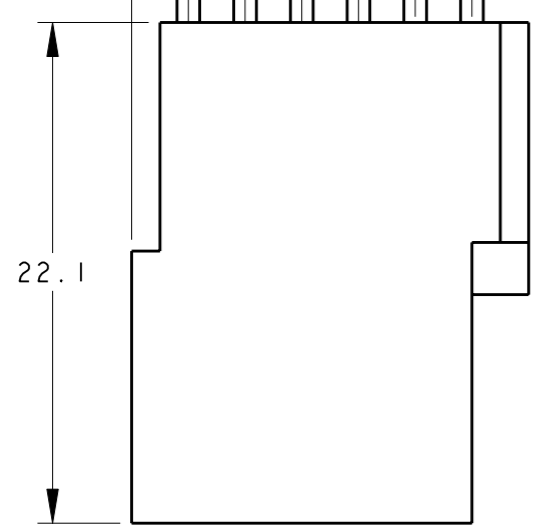


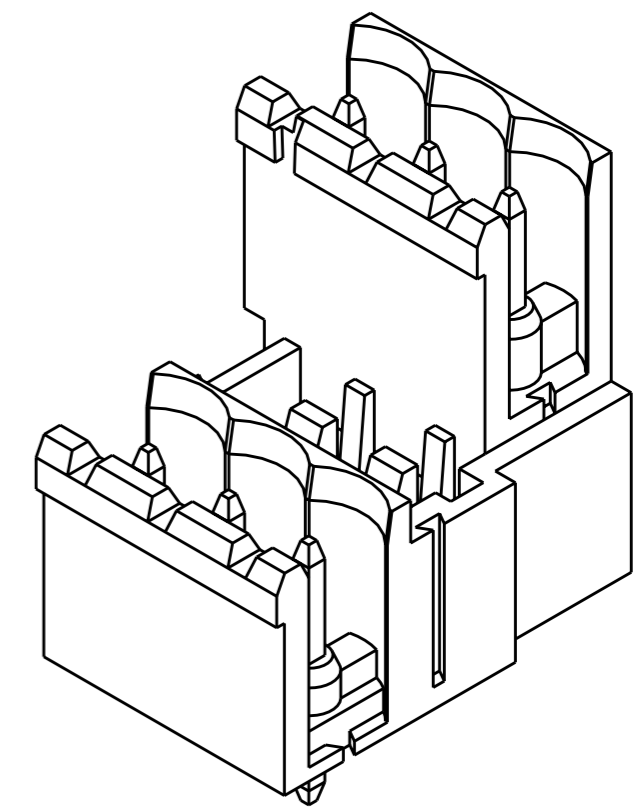
THIS DRAWING IS UNPUBLISHED. RELEASED FOR PUBLICATION 20  
 © COPYRIGHT 20 BY TYCO ELECTRONICS CORPORATION. ALL RIGHTS RESERVED.

| LOC | DIST | REVISIONS   |                           |           |       |
|-----|------|-------------|---------------------------|-----------|-------|
| P   | LTR  | DESCRIPTION | DATE                      | DWN       | APVD  |
| FT  | 0    | D           | REVISED PER ECO-08-003242 | 06FEB2008 | SS CR |

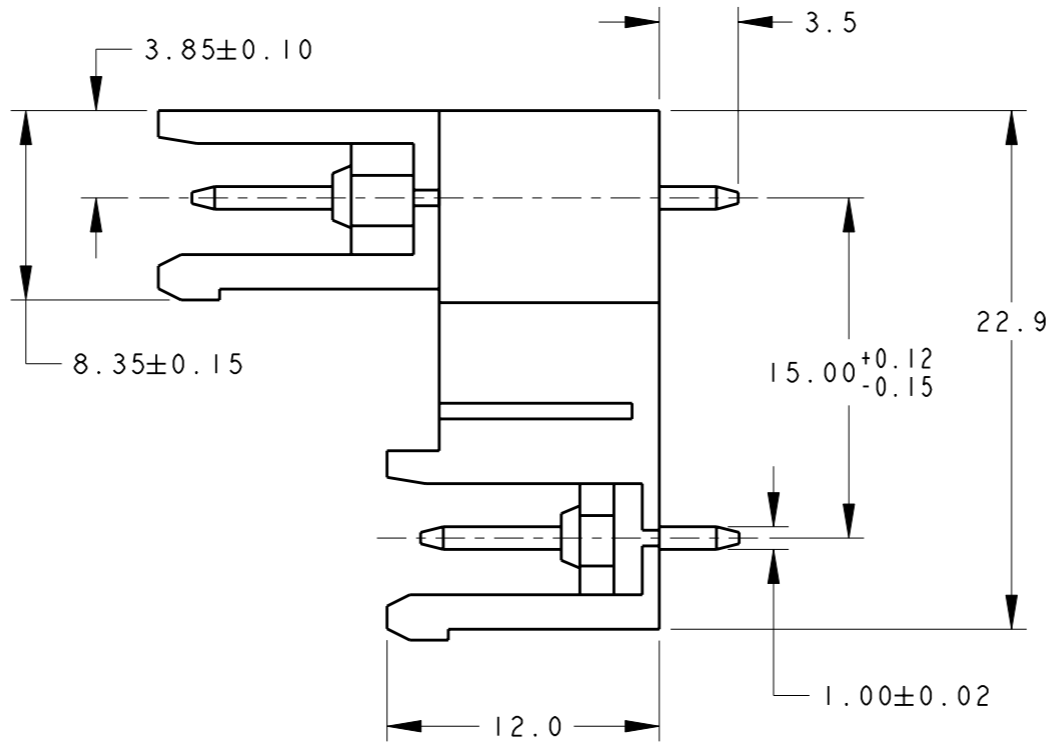
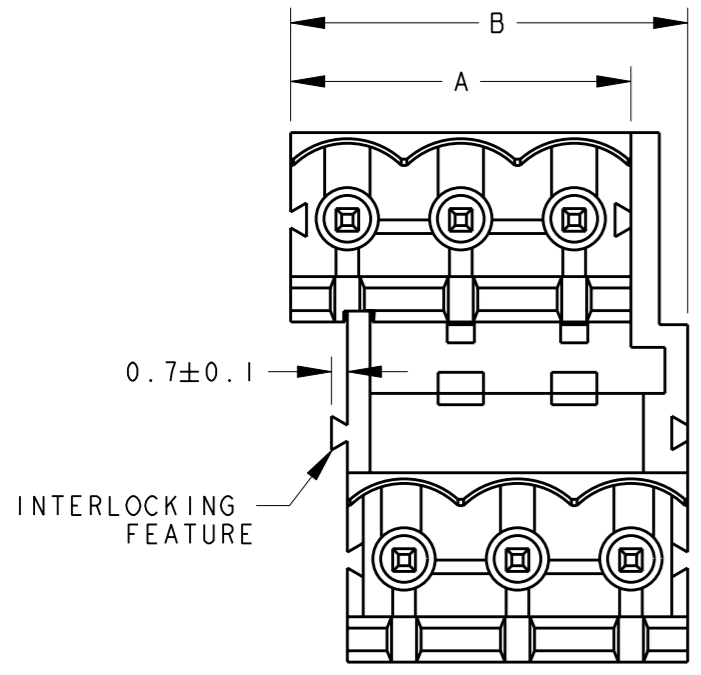
2.50±0.05  
 5.00±0.08  $\triangle 4$   
 2.5 REF  
 1.00±0.02



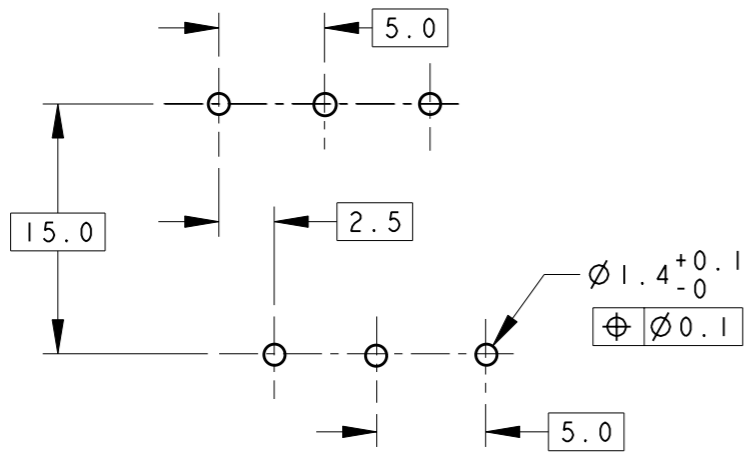
- $\triangle 1$  MATERIALS AND FINISH  
 HOUSING: PA 6-6, UL 94-V0, COLOR: SEE TABLE.  
 TERMINAL: PHOSPHOR BRONZE, TIN PLATED.
- 2 SUITABLE FOR 1,6-2,4mm PC BOARD THICKNESS.
- 3 END-TO-END STACKABLE WITHOUT LOSS OF CENTERLINE SPACING.
- $\triangle 4$  NOT CUMULATIVE TOLERANCE.
- $\triangle 5$  PRELIMINARY PART NUMBER.



284056-3 AS SHOWN



|               |       |      |      |            |             |
|---------------|-------|------|------|------------|-------------|
| $\triangle 5$ | BLACK | 47.5 | 45.0 | 9          | 1-284056-9  |
| $\triangle 5$ | BLACK | 32.5 | 30.0 | 6          | 1-284056-6  |
| $\triangle 5$ | BLACK | 12.5 | 10.0 | 2          | 1-284056-2  |
| $\triangle 5$ | GREEN | 47.5 | 45.0 | 9          | 284056-9    |
| $\triangle 5$ | GREEN | 32.5 | 30.0 | 6          | 284056-6    |
|               | GREEN | 27.5 | 25.0 | 5          | 284056-5    |
|               | GREEN | 22.5 | 20.0 | 4          | 284056-4    |
|               | GREEN | 17.5 | 15.0 | 3          | 284056-3    |
|               | GREEN | 12.5 | 10.0 | 2          | 284056-2    |
|               | COLOR | B    | A    | NO OF POSN | PART NUMBER |



RECOMMENDED PC BOARD LAYOUT

|  |  |   |  |  |  |
|--|--|---|--|--|--|
| <small>THIS DRAWING IS A CONTROLLED DOCUMENT FOR TYCO ELECTRONICS CORPORATION. IT IS SUBJECT TO CHANGE AND THE CONTROLLING ENGINEERING ORGANIZATION SHOULD BE CONTACTED FOR THE LATEST REVISION.</small> |  | DWN 22JAN2002<br>E. ZANOLINI<br>CHK 22JAN2002<br>E. ZANOLINI<br>APVD 22JAN2002<br>D. BLEVENOUR                      |  | Tyco Electronics<br>Harrisburg, PA 17105-3608  |  |
| DIMENSIONS:<br>mm  |  | TOLERANCES UNLESS OTHERWISE SPECIFIED:<br>0 PLC ±.3<br>1 PLC ±.3<br>2 PLC ±.25<br>3 PLC ±.<br>4 PLC ±.<br>ANGLES ±2 |  | NAME<br>TERMINAL BLOCK<br>MULTIPLE HEADER, 180°<br>STACKING W/INTERLOCK, 5.0mm PITCH |  |
| MATERIAL $\triangle 1$   |  | FINISH $\triangle 1$  |  | PRODUCT SPEC -<br>APPLICATION SPEC -<br>WEIGHT -                                     |  |
|  |  | CUSTOMER DRAWING  |  | SIZE A3 CAGE CODE 00779 DRAWING NO C-284056 RESTRICTED TO -                          |  |
|  |  | SCALE 3:1   |  | SHEET 1 OF 1 REV D   |  |