

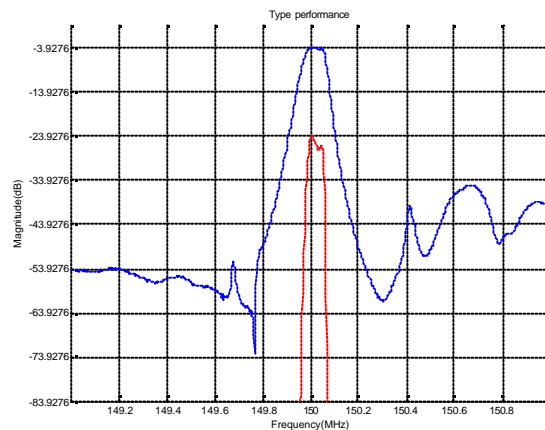


LBS15003 SAW Filter Electrical Characteristic

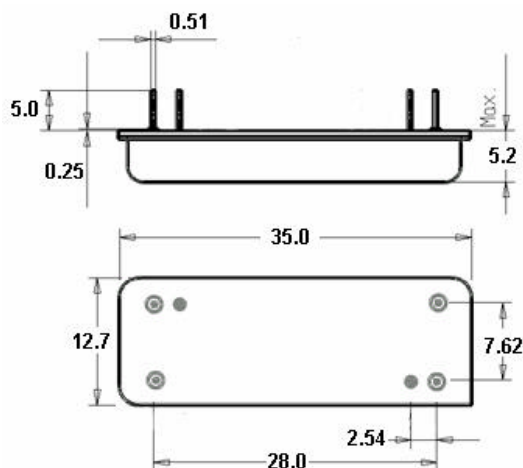
Specifications

Parameter	Unit	Minimum	Typical	Maximum
Center Frequency	MHz	149.97	150	150.03
Insertion Loss	dB		3.92	8
1 dB Bandwidth	KHz		74	
3 dB Bandwidth	KHz		95	160
40 dB Bandwidth	KHz		342	
50 dB Bandwidth	KHz		454	
Input & Output SWR	-			2
Passband variation	dB		0.2	0.5
Ultimate Rejection($f_0 \pm 2.5\text{MHz}$)	dB	35	40	
Substrate Material		Quartz		
Ambient Temperature	°C	25		
Package Size	DIP3512 (35.0x12.7x5.2mm ³)			

Typical Performance



Package Outline



Matching Configuration

