

PLEASE CHECK WWW.MOLEX.COM FOR LATEST PART INFORMATION

Part Number: [130060024](#)
Status: **Active**
Overview: [minichange_products](#)
Description: Mini-Change® MPIS, 3 Pole Female, 6 Ports, with 9 Pole Male Connector, with LEDs

Documents:

[Drawing \(PDF\)](#) [RoHS Certificate of Compliance \(PDF\)](#)

Agency Certification

CSA LR6837
 UL E46237

General

Product Family Passive Distribution Boxes
 Series [130060](#)
 IP Rating IP67
 NEMA Rating NEMA 6
 Overview [minichange_products](#)
 Product Name Mini-Change®

Physical

Bus I/O Mini-Change®
 Cable Connector Orientation Straight
 Cable Length N/A
 Home Run Cable Length N/A
 Home Run Connector Mini-Change® - 9 pole
 Home Run Interface N/A
 Keyway Single
 LED Indicator Yes
 Material - Cable Jacket N/A
 Material - Housing PBT
 Material - Metal Copper Alloy
 Material - Plating Mating Gold over Nickel
 Orientation Side Mount
 Poles 3
 Poles (wired) 3
 Ports 6
 Temperature Range - Operating -25°C to +90°C
 Wiring Configuration Single I/O per Port

Electrical

Current - Maximum per Contact 7A
 Functional Wiring Parallel
 Voltage - Maximum 600V AC/DC

Material Info

Old Part Number 410P601

Reference - Drawing Numbers

Sales Drawing SD-130060-006

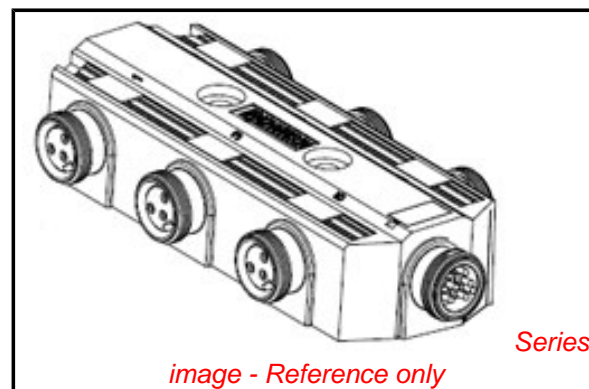


image - Reference only

EU RoHS

Not RoHS Compliant
REACH SVHC
Not Reviewed
Halogen-Free
Status
Not Reviewed

China RoHS



Need more information on product environmental compliance?

Email productcompliance@molex.com
 For a multiple part number RoHS Certificate of Compliance, [click here](#)

Please visit the [Contact Us](#) section for any non-product compliance questions.

Search Parts in this Series

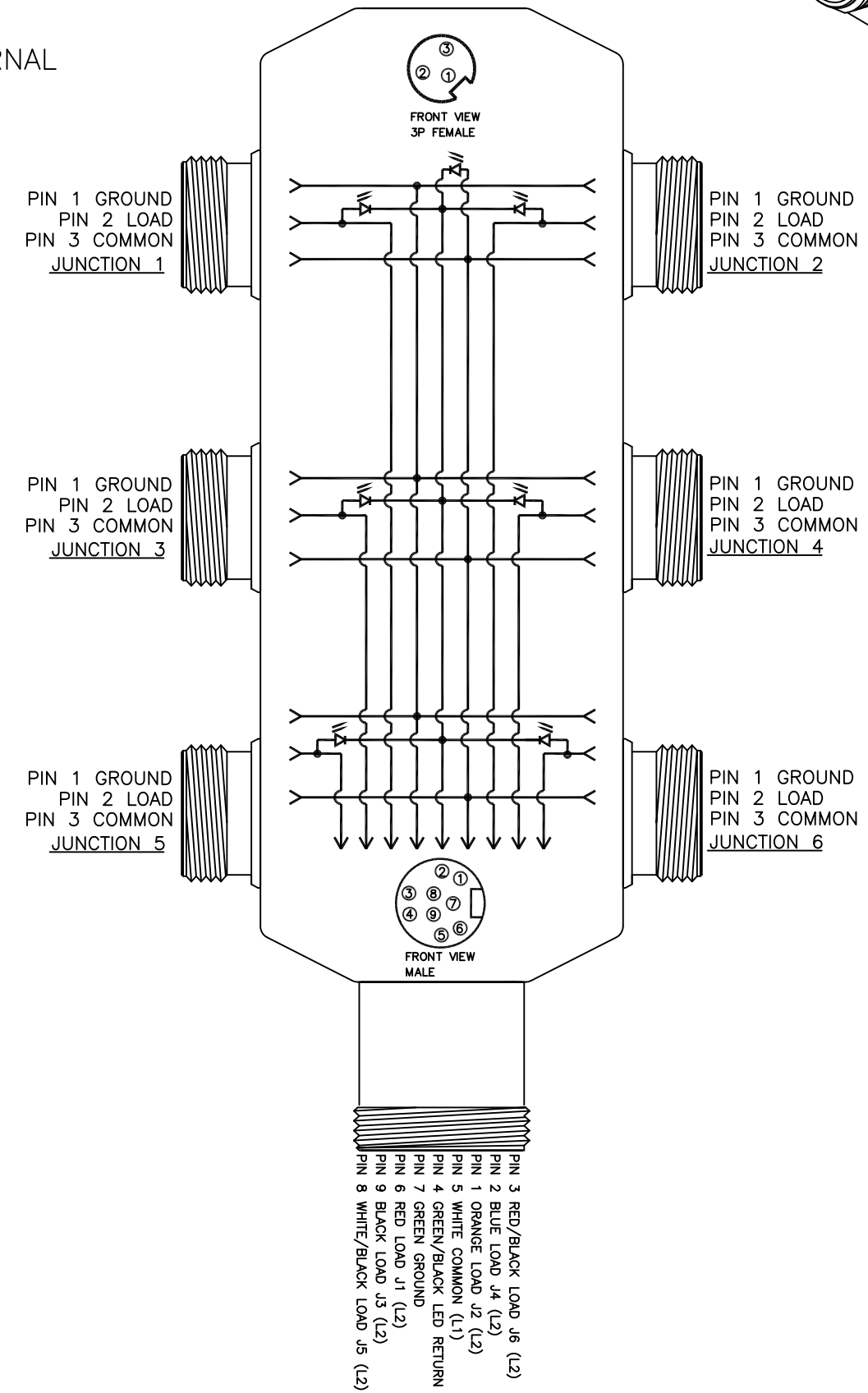
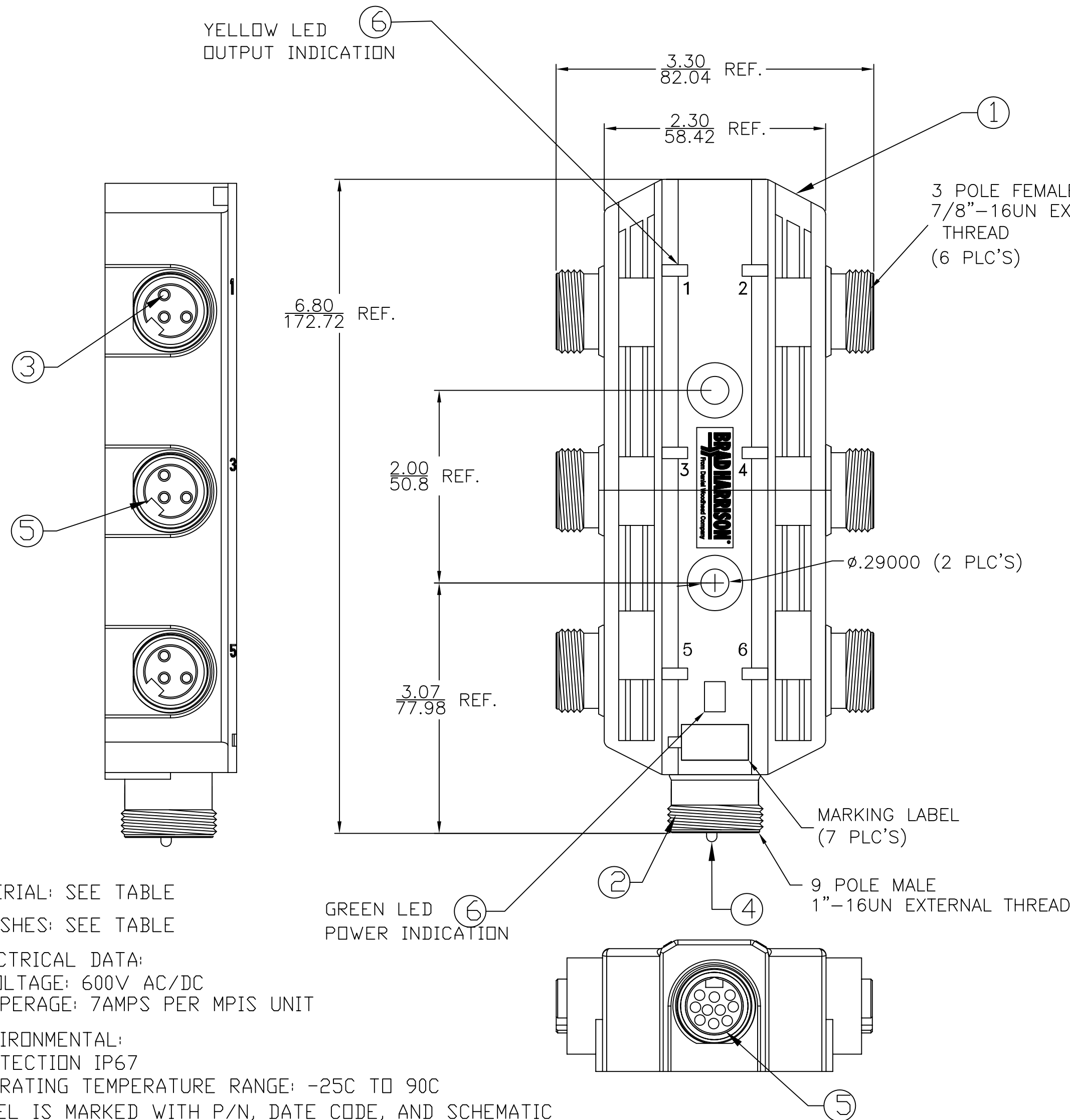
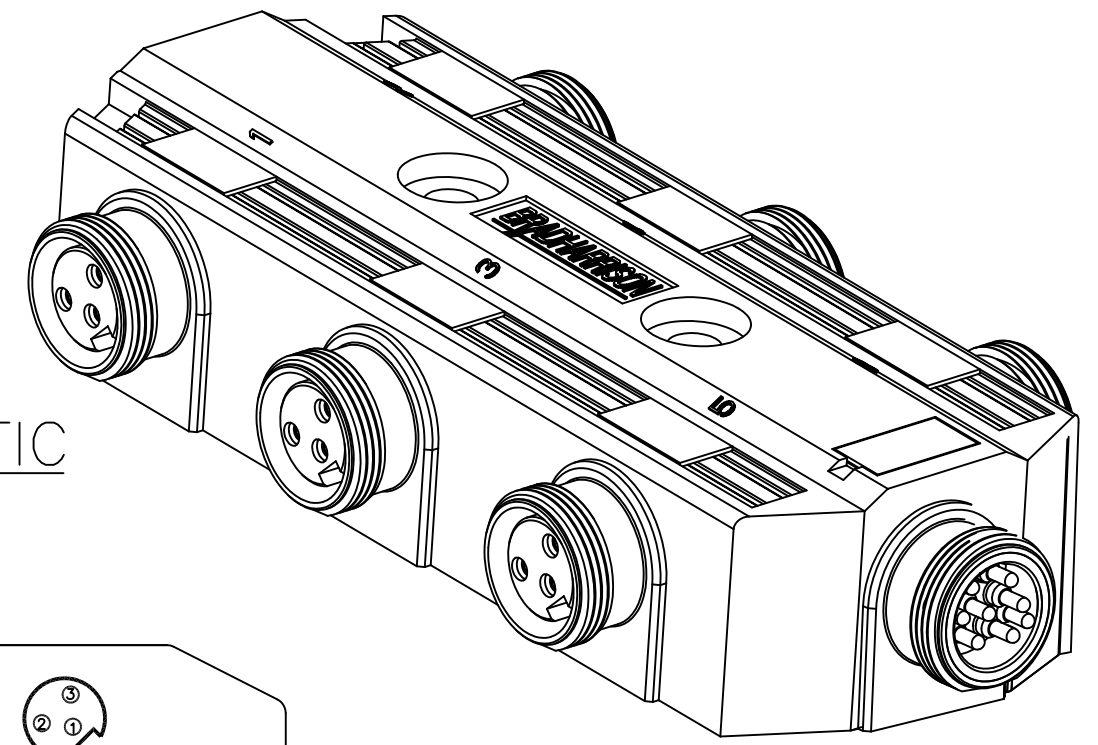
130060Series

MATERIAL NUMBER ENGINEERING NUMBER

1300600024 410P601

DIMENSIONAL

SCHEMATIC



- NOTES:
- 1) MATERIAL: SEE TABLE
 - 2) FINISHES: SEE TABLE
 - 3) ELECTRICAL DATA:
VOLTAGE: 600V AC/DC
AMPERAGE: 7AMPS PER MPIS UNIT
 - 4) ENVIRONMENTAL:
PROTECTION IP67
OPERATING TEMPERATURE RANGE: -25C TO 90C
 - 5) LABEL IS MARKED WITH P/N, DATE CODE, AND SCHEMATIC
 - 6) CERTIFICATION:
UL: UL RECOGNIZED
CSA: CSA CERTIFIED

ITEM	QTY.	DESCRIPTION	MATERIAL	FINISH
6	7	LENS	POLYCARBONATE	CLEAR
5	7	INSERT	PVC	YELLOW
4	9	PIN CONTACT	COPPER ALLOY	GOLD PLATED
3	18	SOCKET CONTACT	COPPER ALLOY	GOLD PLATED
2	7	RECEPTACLE SHELL	E-COATED ZINC ALLOY	BLACK
1	1	HOUSING	PBT	YELLOW

<p>RELEASE</p> <p>EC NO: WNA2010-0456</p> <p>DRWN: TWOLDEGE 2010/01/22</p> <p>CHKD: BWOODMAN</p> <p>APPR: JFMURPHY 2010/01/29</p>	<p>QUALITY SYMBOL</p> <p>▽=0</p> <p>∇=0</p>	<p>GENERAL TOLERANCES (UNLESS SPECIFIED)</p>		<p>DIMENSION STYLE</p> <p>----</p>		<p>SCALE</p> <p>1:1</p>	<p>DESIGN UNITS</p> <p>INCH</p>	<p>THIRD ANGLE PROJECTION</p>		
		<p>4 PLACES ±---</p>	<p>mm ±---</p>	<p>INCH ±---</p>	<p>DRAWN BY</p> <p>----</p>	<p>DATE</p> <p>----</p>	<p>TITLE</p> <p>6PORT S. MOUNT MPIS LED</p> <p>6PORT 3-POLE FEMALE W/</p> <p>9P MALE HOME RUN CONN.</p>			
		<p>3 PLACES ±---</p>	<p>±0.13</p>	<p>±0.010</p>	<p>CHECKED BY</p> <p>BWOODMAN</p>	<p>DATE</p> <p>----</p>	<p>MOLEX INCORPORATED</p>			
		<p>2 PLACES ±0.25</p>	<p>±0.20</p>	<p>1 PLACE ±0.25</p>	<p>APPROVED BY</p> <p>JFMURPHY</p>	<p>DATE</p> <p>2010/01/29</p>	<p>DOCUMENT NO.</p> <p>SD-130060-006</p>	<p>SHEET NO.</p> <p>1 OF 1</p>		
<p>ANGULAR ±1/2°</p>		<p>DRAFT WHERE APPLICABLE MUST REMAIN WITHIN DIMENSIONS</p>		<p>MATERIAL NO.</p> <p>SEE CHART</p>		<p>THIS DRAWING CONTAINS INFORMATION THAT IS PROPRIETARY TO MOLEX INCORPORATED AND SHOULD NOT BE USED WITHOUT WRITTEN PERMISSION</p>				