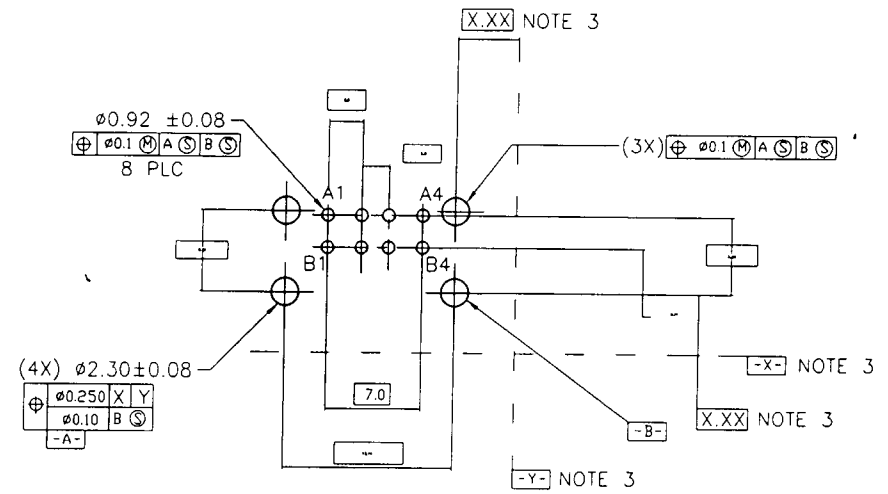
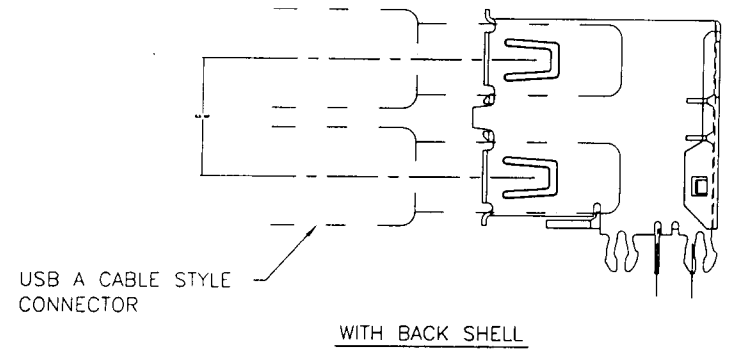
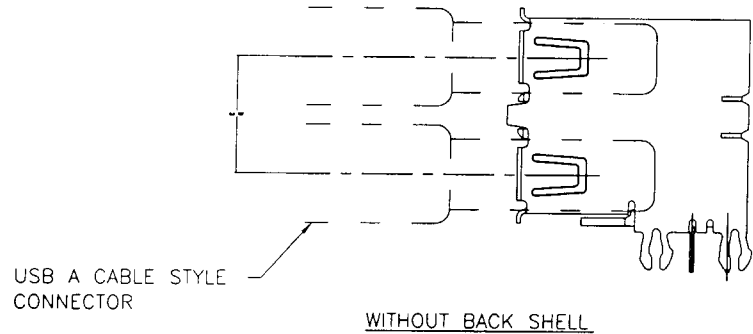


Tous droits strictement reserves. Reproduction ou communication a des tiers interdicte, sous quelque forme que ce soit sans autorisation ecrite du proprietaire. Propriete de © BERG ELECTRONICS. Droits de reproduction BERG ELECTRONICS INC.

All rights strictly reserved. Reproduction or issue to third parties in any form whatever is not permitted without written authority from the proprietor. Property of © BERG ELECTRONICS Copyright BERG ELECTRONICS INC.



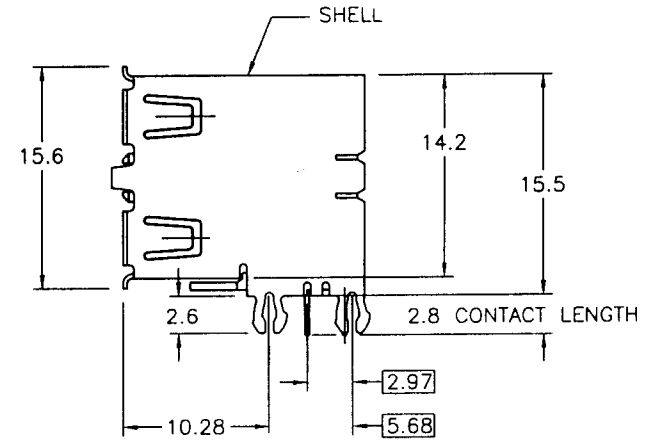
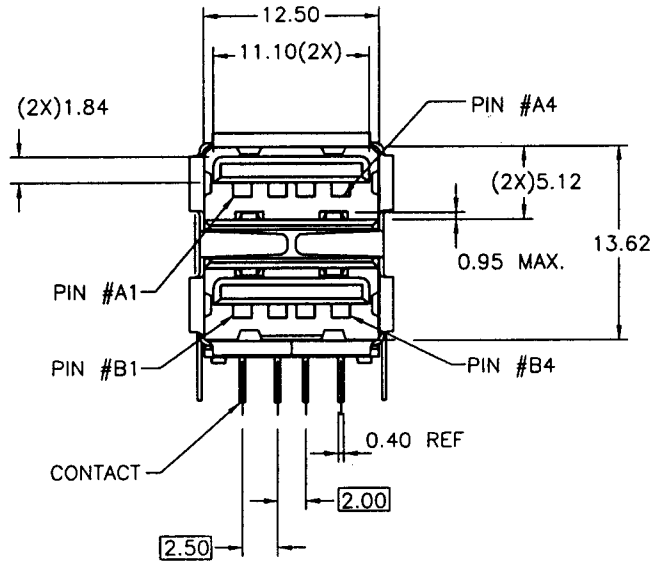
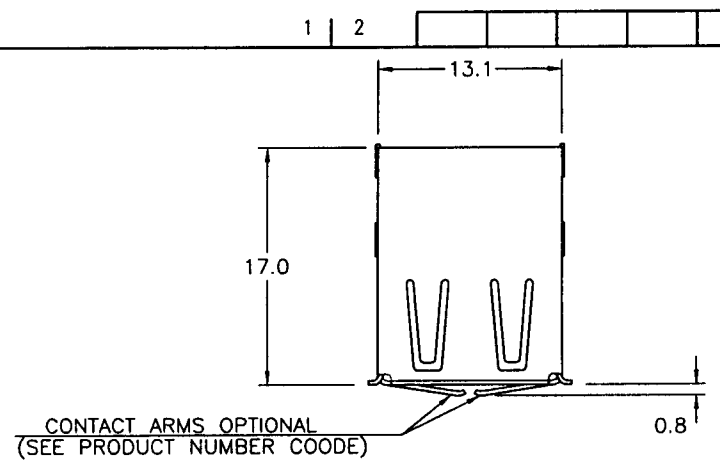
RECOMMENDED PC DIMENSIONS

- NOTES:
- MATERIAL:
CONTACTS-PHOSPHOR BRONZE.
SHELL-PHOSPHOR BRONZE.
HOUSING-UL 94-V-0 RATED THERMOPLASTIC.
 - PLATING:
CONTACTS-0.76um MINIMUM GLOD FLASH OVER PALLADIUM NICKEL IN CONTACT AREA OR 0.76um MIN GOLD FLASH
3.8um MINIMUM TIN-LEAD ON SOLDER TAILS
ALL OVER 1.27um MINIMUM NICKEL.
SHELL,5um MINIMUM BRIGHT TIN
OVER 2.5um MINIMUM NICKEL.
- ③ DATUM AND BASIC DIMENSIONS ESTABLISHED BY CUSTOMER.
4. RECOMMENDED PC BOARD THICKNESS OF 1.57mm.
5. P/N SEE PRODUCT NUMBER CODE.

mat'l. code NOTE 1 & 2		tolerances unless otherwise specified		CUSTOMER COPY		 www.fciconnect.com	
ltr	ecn no	dr	date	linear	.X ± .30	projection	title UNIV. SERIAL BUS DOUBLE DECK RECEPTACLE
M	T80451	P P	10/9/98		.XX ± .20		
N	T80460	P P	10/15/98	angles	.XXX ± .10		product family USB
P	T80544	P P	11/27/98		0° ± 3'		
R	T90170	P P	4/27/99	dr	PETER	12/10/97	code -
S	T90233	P P	6/15/99	enr	R Y LIU	12/10/97	
T	T90361	P P	10/18/99	chr	R Y LIU	12/10/97	sheet 1 of 4
U	T00197	P P	6/29/00	appd	JENN TSAO	12/10/97	
sheet index	revision sheet	U	N	N	U		
		1	2	3	4		

Tous droits strictement réservés. Reproduction ou communication a des tiers interdite sous quelque forme que ce soit sans autorisation écrite du propriétaire. Propriété de ©BERG ELECTRONICS. Droits de reproduction BERG ELECTRONICS INC.

All rights strictly reserved. Reproduction or issue to third parties in any form whatever is not permitted without written authority from the proprietor. Property of ©BERG ELECTRONICS Copyright BERG ELECTRONICS INC.



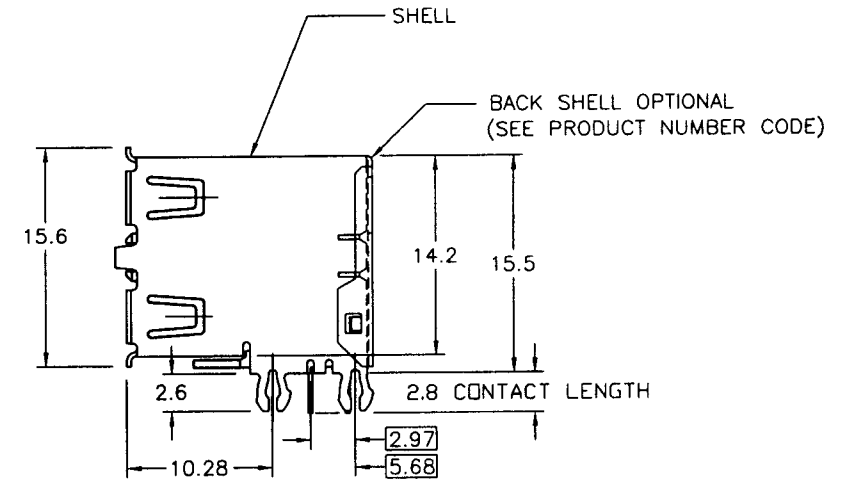
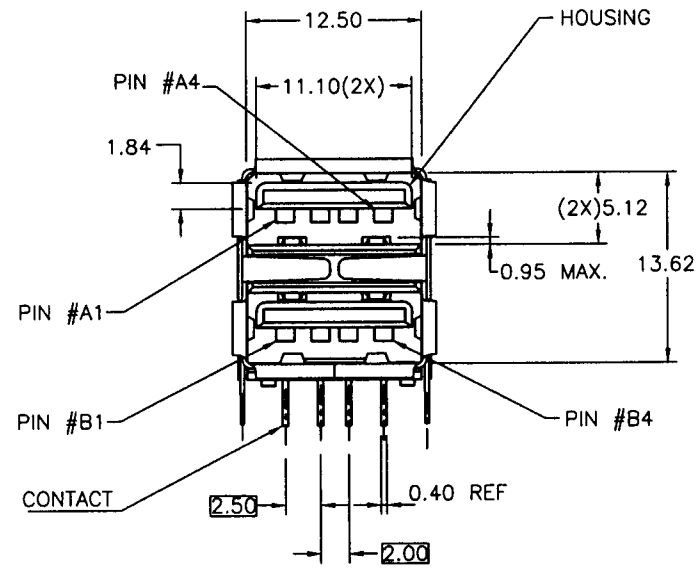
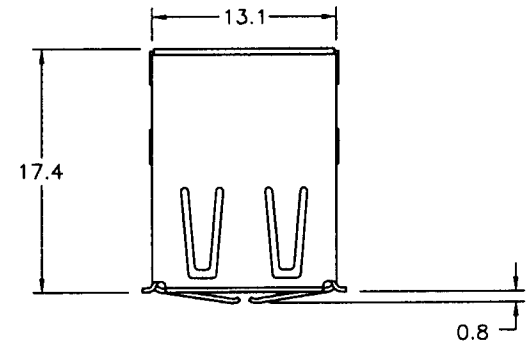
ASSEMBLY WITHOUT BACK SHIELD
72309-XX3XX SHOWN

mat'l. code				tolerances unless otherwise specified			CUSTOMER COPY		BERG ELECTRONICS	
ltr	ecn no	dr	date	linear	.X ±.30		projection	title		
N					.XX ±.20			mm	UNIV. SERIAL BUS	
				angles	.XXX ±.10		mm		DOUBLE DECK RECEPTACLE	
					0° ±3°			scale	product family	
				dr	PETER PAM	12/10/97	2 : 1		USB	
				enr	R Y LIU	12/10/97		size dwg no		sheet
				chr	R Y LIU	12/10/97		A4		2 of 4
				appd	JENN TSAO	12/10/97		72309		
sheet index	revision sheet									

Tous droits strictement reserves. Reproduction ou communication a des tiers interdite sous quelque forme que ce soit sans autorisation écrite du propriétaire.
 Propriete de ©BERG ELECTRONICS. Droits de reproduction BERG ELECTRONICS INC.



All rights strictly reserved. Reproduction or issue to third parties in any form whatever is not permitted without written authority from the proprietor.
 Property of ©BERG ELECTRONICS Copyright BERG ELECTRONICS INC.



ASSEMBLY WITH BACK SHIELD
 72309 - XX4XX SHOWN

mat'l. code				tolerances unless otherwise specified				CUSTOMER COPY		BERG ELECTRONICS		
ltr	ecn no	dr	date	linear	.X ±.30			projection	title			
N					.XX ±.20				UNIV. SERIAL BUS			
					.XXX ±.10				DOUBLE DECK RECEPTACLE			
				angles	0° ±3°			mm	product family		code	
				dr	PETER PAM	12/01/97	USB		-			
				enr	R Y LIU	12/10/97	scale	size		dwg no	sheet	
				chr	R Y LIU	12/10/97		A4		72309		3 of
				appd	JENN TSAO	12/10/97		2 : 1				
sheet index	revision sheet											

