

**PLEASE CHECK WWW.MOLEX.COM FOR LATEST PART INFORMATION**

**Part Number:** [0535171110](#)  
**Status:** **Active**  
**Description:** 2.50mm (.098") Pitch Mini-Lock™ Wire-to-Board PCB Header, Vertical, 11 Circuits

**Documents:**

[3D Model](#) [Product Specification PS-51103-024 \(PDF\)](#)  
[Drawing \(PDF\)](#) [RoHS Certificate of Compliance \(PDF\)](#)  
[Product Specification PS-51103-006 \(PDF\)](#)

**Agency Certification**

UL E29179

**General**

Product Family PCB Headers  
 Series [53517](#)  
 Application Wire-to-Board  
 Product Name Mini-Lock™

**Physical**

Breakaway No  
 Circuits (Loaded) 11  
 Glow-Wire Compliant No  
 Keying to Mating Part Yes  
 Lock to Mating Part Yes  
 Material - Metal Phosphor Bronze  
 Material - Plating Mating Tin  
 Material - Resin Nylon  
 Number of Rows 1  
 Orientation Vertical  
 PC Tail Length (in) 0.138 In  
 PC Tail Length (mm) 3.50 mm  
 PCB Locator Yes  
 PCB Retention Yes  
 PCB Thickness Recommended (in) 0.062 In  
 PCB Thickness Recommended (mm) 1.60 mm  
 Packaging Type Tray  
 Pitch - Mating Interface (in) 0.098 In  
 Pitch - Mating Interface (mm) 2.50 mm  
 Polarized to Mating Part Yes  
 Polarized to PCB Yes  
 Shrouded Fully  
 Stackable No  
 Temperature Range - Operating -40°C to +105°C  
 Termination Interface: Style Through Hole

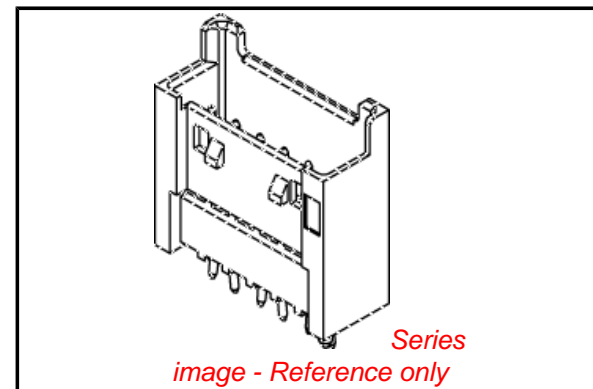
**Electrical**

Current - Maximum per Contact 3A  
 Voltage - Maximum 250V

**Material Info**

**Reference - Drawing Numbers**

Product Specification PS-51103-006, PS-51103-024, RPS-51103-001,  
 RPS-51103-003, RPS-51103-020, RPS-51103-035,  
 RPS-51103-043, RPS-51103-049, RPS-51103-057,  
 RPS-51163-001, RPS-51163-003  
 Sales Drawing SD-53517-001



**EU RoHS**

**ELV and RoHS  
Compliant**  
**REACH SVHC**  
 Not Reviewed  
**Halogen-Free  
Status**

**China RoHS**



**Not Reviewed**  
**Need more information on product  
environmental compliance?**

Email [productcompliance@molex.com](mailto:productcompliance@molex.com)  
 For a multiple part number RoHS Certificate of  
 Compliance, [click here](#)

Please visit the [Contact Us](#) section for any  
 non-product compliance questions.

**Search Parts in this Series**

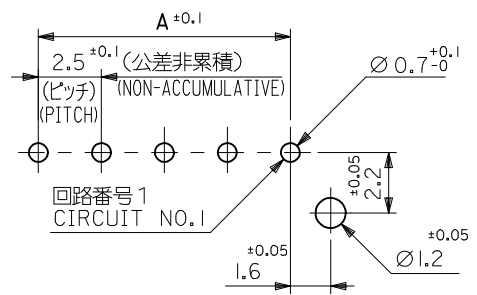
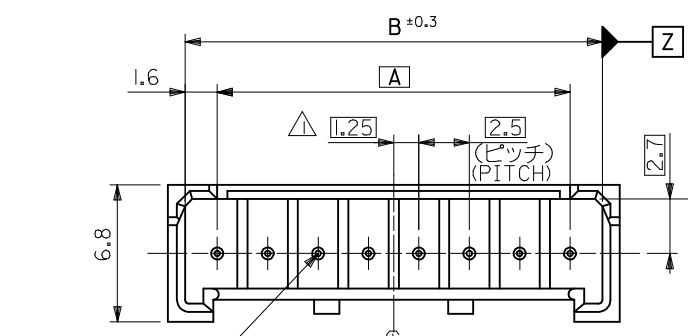
[53517Series](#)

**Mates With**

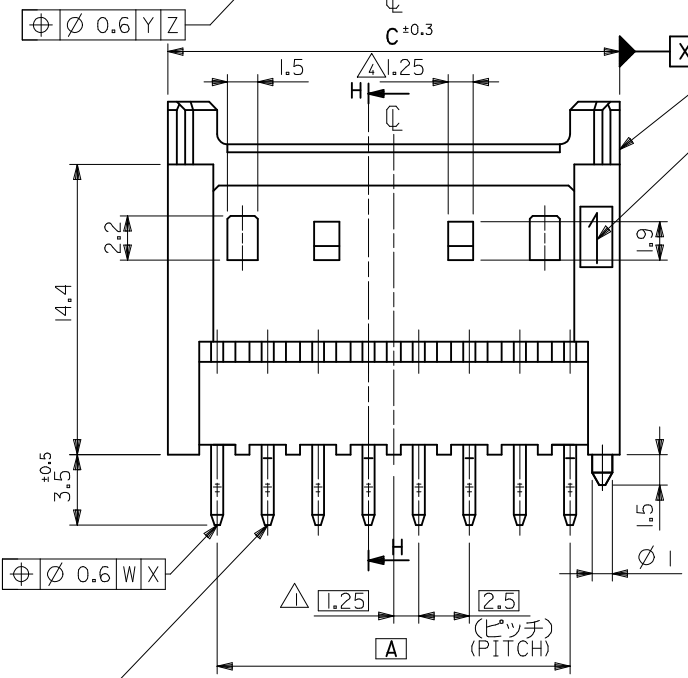
[51103](#) Crimp Housing, [50351](#) Crimp  
 Terminal

This document was generated on 04/16/2010

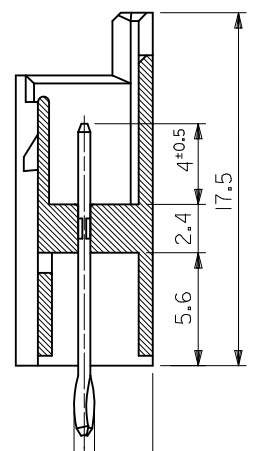
**PLEASE CHECK [WWW.MOLEX.COM](http://WWW.MOLEX.COM) FOR LATEST PART INFORMATION**



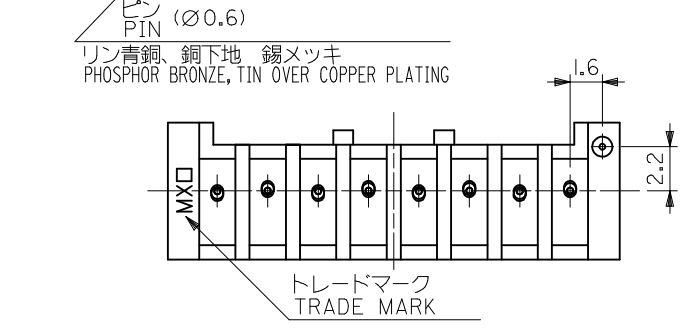
基板取付穴推奨寸法 (マウント面)  
RECOMMENDED P.C.BOARD HOLE DIMENSION  
(MOUNTING SIDE)  
( $t=1.6$ ) (SCALE 5 : 1)



ウエハー  
WAFER  
NYLON66,UL94V-0



断面 H-H  
SECT. H-H

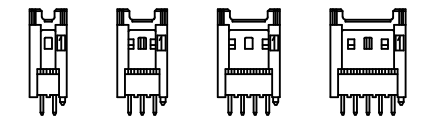


リン青銅、銅下地 錫メッキ  
PHOSPHOR BRONZE, TIN OVER COPPER PLATING

トレードマーク  
TRADE MARK

注記  
NOTES

- △ 偶数極品に適用。  
APPLIES ONLY TO EVEN NO. CKT. SIZES.
- 2. 嵌合相手 : 51103,51136 シリーズ  
MATES WITH : 51103,51136 SERIES.
- 3. ELV AND RoHS COMPLIANT.
- △ 2、3極品において、下記寸法とする。  
DIMENSIONS OF 2 AND 3 CKTS IS FOLLOWING.
- 2CKTS : NONE  
3CKTS : 1
- 5. MATERIAL  
WAFER PA, UL94V-0, COLOR : NATURAL  
PIN PHOSPHOR BRONZE, TIN OVER COPPER PLATING



2極 3極 4極 5極  
2 CKT. 3 CKT. 4 CKT. 5 CKT.

ロック形状図  
LOCK CONFIGURATION

39.9	38.2	35	53517 - 1510	15
37.4	35.7	32.5	↑ - 1410	14
34.9	33.2	30	- 1310	13
32.4	30.7	27.5	- 1210	12
29.9	28.2	25	- 1110	11
27.4	25.7	22.5	- 1010	10
24.9	23.2	20	- 0910	9
22.4	20.7	17.5	- 0810	8
19.9	18.2	15	- 0710	7
17.4	15.7	12.5	- 0610	6
14.9	13.2	10	- 0510	5
12.4	10.7	7.5	- 0410	4
9.9	8.2	5	↓ - 0310	3
7.4	5.7	2.5	53517 - 0210	2
C	B	A	TRAY PACKAGE ORDER NO.	極数 NO. OF CKTS.

REVISED EC NO: J2010-0837 DRWN:TKON 2009/10/26 CHKD:KASAKAWA 2009/10/26 APPR:NIKIITA 2009/10/26 REV: D	GENERAL TOLERANCES (UNLESS SPECIFIED)		DIMENSION STYLE MM ONLY	SCALE 4:1	DESIGN UNITS METRIC	THIRD ANGLE PROJECTION
	10 UNDER	±0.3	DRAWN BY K. TOJO	DATE 1994/05/16	TITLE 2.5 WIRE TO BOARD CONN. WAFER ASSY -LEAD FREE-	
	10 OVER 30 UNDER	±0.25	CHECKED BY S. KUNISHI	DATE 1994/05/16	MOLEX INCORPORATED	
	30 OVER	±0.2	APPROVED BY M. FUKUSHIMA	DATE 1994/05/16	DOCUMENT NO. SD-53517-001	SHEET NO. 1 OF 1
	ANGULAR ±3 °		MATERIAL NO.	SEE TABLE		
	DRAFT WHERE APPLICABLE MUST REMAIN WITHIN DIMENSIONS		SIZE A3	THIS DRAWING CONTAINS INFORMATION THAT IS PROPRIETARY TO MOLEX INCORPORATED AND SHOULD NOT BE USED WITHOUT WRITTEN PERMISSION		