

ISDN S SMD INTERFACE ISOLATION TRANSFORMERS

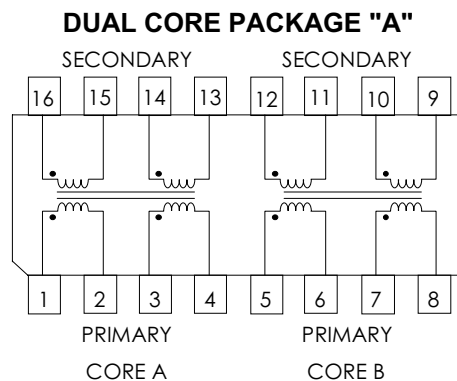
FEATURES

- ① Designed for Isolation between Line Card and Terminal
- ② Meets Pulse Waveform Template of CCITT 1.430
- ③ Excellent Longitudinal Balance
- ④ 2000Vrms Minimum Isolation
- ⑤ Industry Standard SMD Package
- ⑥ Single or Dual Core Package

ELECTRICAL SPECIFICATIONS AT 25°C PER CORE

PART NUMBER	TURNS RATIO (±2%)		PRIMARY OCL (mH Min.)	SECONDARY L_L (µH Max.)	PRI-SEC Cw/w (pf Max.)	PRIMARY C_p (pf Max.)	PRIMARY DCR (Ohms Max.)	SECONDARY DCR (Ohms Max.)	Package & Schematic
	A	B							
PM-IS42	1:1	1:2	22	5/15	100	40/80	2.4	2.4/4.0	A
PM-IS43	1:1	1:1	22	5	100	40	2.4	2.4	A
PM-IS44	1:1.8	1:1.8	22	15	100	140	2.4	4.2	A
PM-IS45	1:2	1:2	22	15	100	80	2.4	4.0	A
PM-IS46	1:2.5	1:2.5	22	30	100	110	2.4	5.8	A
PM-IS47	1:2	1:2	22	10	100	150	2.4	5.0	A

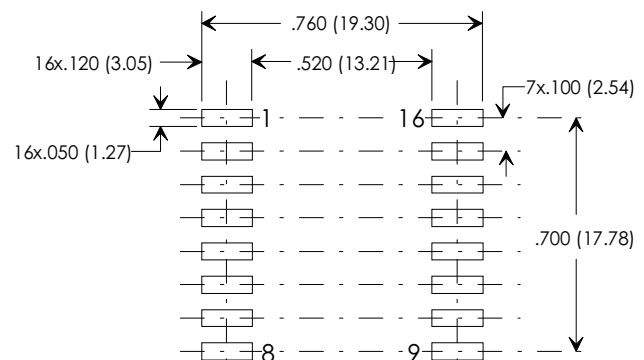
LONGITUDINAL BALANCE: 10KHz - 300KHz: 60dB Minimum
 RATIO IS EXPRESSED AS: PRIMARY : SECONDARY



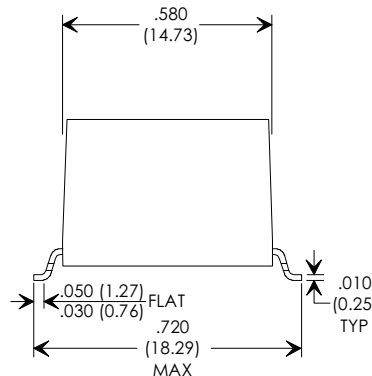
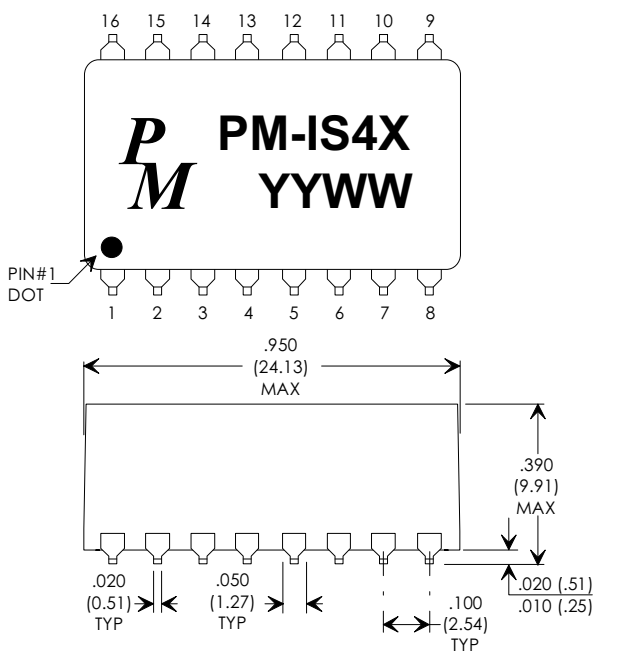
NOTE:
 Primary: 1 to 4 & 5 to 8
 Secondary: 16 to 13 & 12 to 9

RECOMMENDED PCB LAYOUT

DIMENSION IN INCHES, (mm)



PHYSICAL DIMENSIONS IN INCHES (mm)



Specifications subject to change without notice.