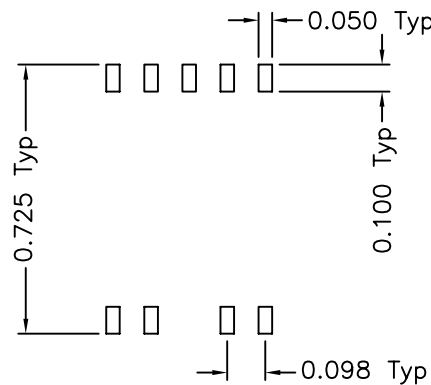
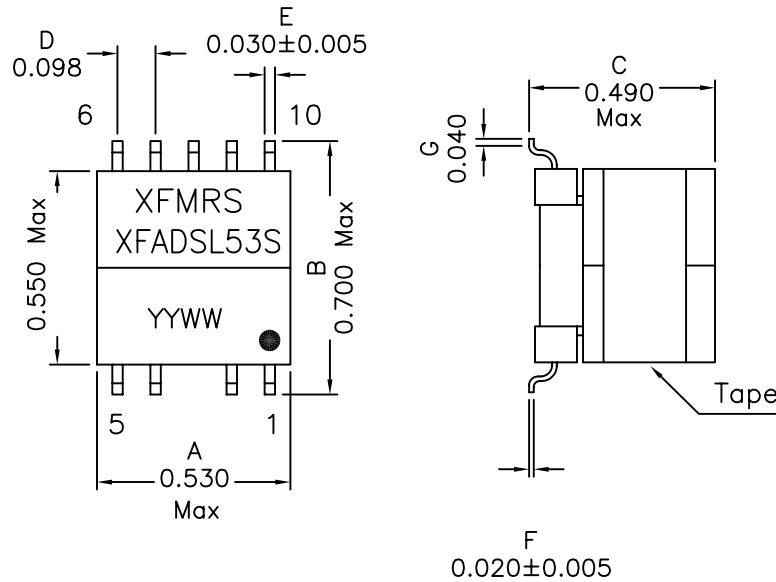
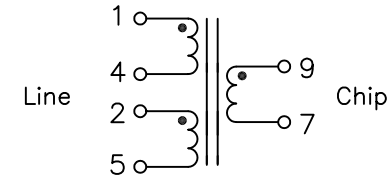


1. Mechanical Dimensions:



Suggested PCB Layout

2. Schematic:



3. Electrical Specifications: @25°C

- OCL: Pins 1-5 2.00mH±6% @10KHz 1.0V, Short Pins 4-2
- LL: Pins 1-5 11uH Max @100KHz 0.1V, Short Pins 2-4 & 9-7
- Cww: Pins 1-9 60pF Max @10KHz, 1.0V Short Pins 4-2
- Turns Ratio: Pins (1-5):(9-7)=4:1±1%, Short Pins 4-2
- DC Res.: Pins 1-4 1.16 Ohms Max
- DC Res.: Pins 2-5 1.16 Ohms Max
- DC Res.: Pins 9-7 0.264 Ohm Max
- THD: 80dB Min @40KHz, 12Vp-p, Line:Chip
- Return Loss: 16.5dB Min @40KHz-300KHz
- Insertion Loss: 0.5dB Max @40KHz
- Longitudinal Balance: 60dB Min @20KHz-250KHz
- THD: -80dB Max @40KHz, 12Vp-p across Pri 6.25 Ohm Load
100 Ohms Input, Short Pins 4-2
- Isolation Voltage: 2050Vac (Chip to Line)

Notes:

- Solderability: Leads shall meet MIL-STD-202, Method 208D for solderability.
- Flammability: UL94V-0
- ASTM oxygen index: > 28%
- Temperature rating: 155°C. UL file E151556
- Operating Temperature Range: -40°C to +85°C

DOC. REV A/3

XFMRS Inc	Title: ADSL TRANSFORMER		
	UNLESS OTHERWISE SPECIFIED TOLERANCES: .xxx ±0.010 Dimensions in INCH		P/N: XFADSL53S REV. A
	DWN.	廖玉坤	Sep-17-03
	CHK.	李清儿	Sep-17-03
SHEET 1 OF 1	APP.	BW	Sep-17-03