

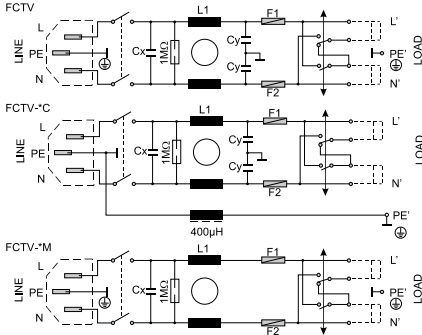
# FTCV

## IEC Connector Filter

www.DataSheet4U.com

RFI Power Line Filters

### Electrical schematics



### General Specifications

- Maximum operating voltage: 250Vac.
- Operating frequency: DC - 60Hz.
- Hipot test voltage: L/N->PE: 1800Vac 2s.  
(2500Vac for M version)
- L->N: 1700 Vdc 2s.
- Application class: HPF Acc. TO DIN 40040  
(-25°C/+85°C/95% RH, 30d).
- Flammability class: UL 94 V2.

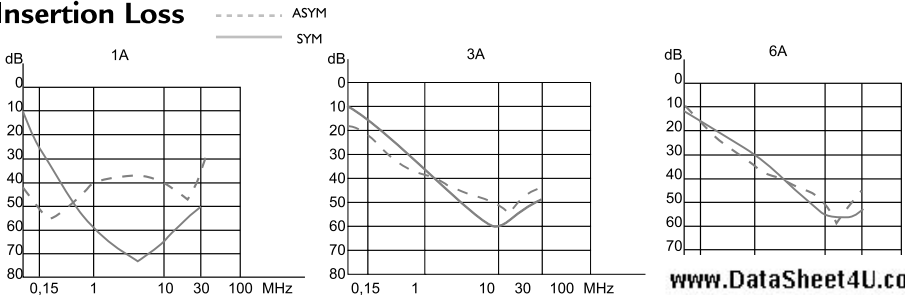
### IEC connector filter

- Compact filter with IEC connector, fuses and switch.
- With voltage selector.
- ZM: For electromedical applications.
- ZC: With earth inductor for high immunity level.

### Product List

TYPE	I	L1	CX	CY	HOUSING	L.CURRENT	CONNECTION	WEIGHT ±g
FTCV-1Z	1 Amp	7,5 mH					FASTON 6,3mm	210
FTCV-3Z	3 Amp	2 mH	220 nF	3,3 nF	251	0,32mA	FASTON 6,3mm	205
FTCV-6Z	6 Amp	0,45 mH					FASTON 6,3mm	200
FTCV-1ZC	1 Amp	7,5 mH					FASTON 6,3mm	210
FTCV-3ZC	3 Amp	2 mH	220 nF	3,3 nF	251	0,32mA	FASTON 6,3mm	205
FTCV-6ZC	6 Amp	0,45 mH					FASTON 6,3mm	200
FTCV-1ZM	1 Amp	7,5 mH					FASTON 6,3mm	210
FTCV-3ZM	3 Amp	2 mH	220 nF	-	251	5µA	FASTON 6,3mm	205
FTCV-6ZM	6 Amp	0,45 mH					FASTON 6,3mm	200

### Insertion Loss



www.DataSheet4U.com 1/2