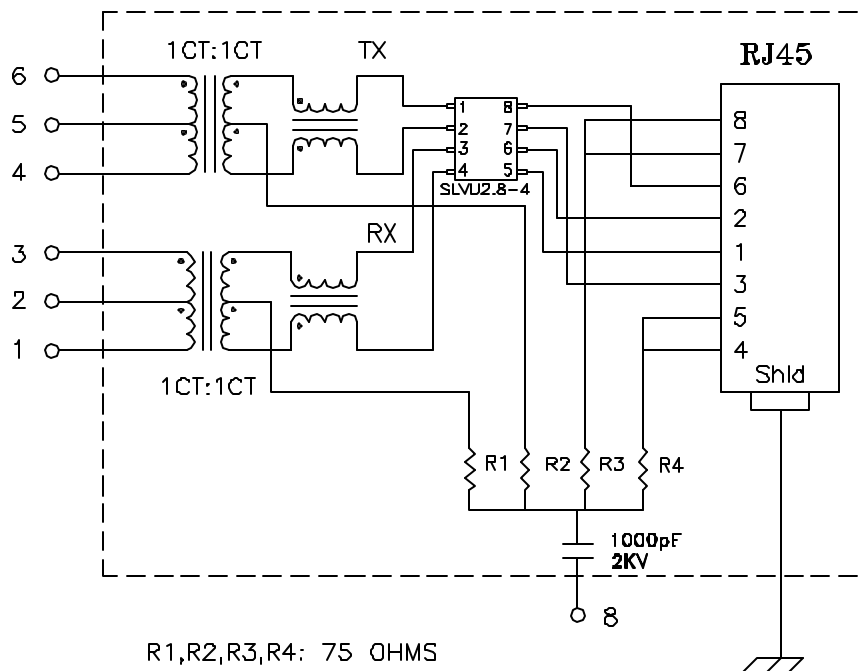


**Schematic:**



**Electrical Specifications: @25°C**

- Isolation Voltage: 1500 Vrms (Input to Output)
- Isolation Voltage: 500 Vrms (P1+2+3 to P4+5+6)
- Q: 20 Min @100KHz 100mV
- Turns Ratio: TX 1CT:1CT ±3% RX 1CT:1CT ±3%
- CABLE SIDE OCL: 350uH Minimum @100KHz 100mV 8mADC
- Cw/w: 27pF Typical @100KHz 100mV
- Insertion Loss (300KHz-100MHz): -1.0dB Max
- Return Loss: @30MHz -18dB Minimum
- @80MHz -12dB Minimum

**Notes:**

1. Solderability: Leads shall meet MIL-STD-202G, Method 208H for solderability.
2. Flammability: UL94V-0
3. ASTM oxygen Index: > 28%
4. Insulation System: Class F 155°C. UL file E151556
5. Operating Temperature Range: All listed parameters are to be within tolerance from -40°C to +85°C
6. Storage Temperature Range: -55°C to +125°C
7. Aqueous wash compatible
8. Electrical and mechanical specifications 100% tested
9. RoHS Compliant Component

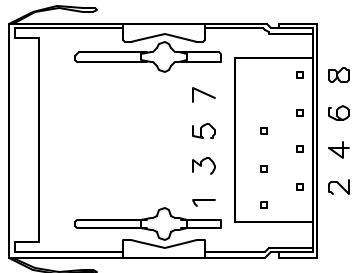
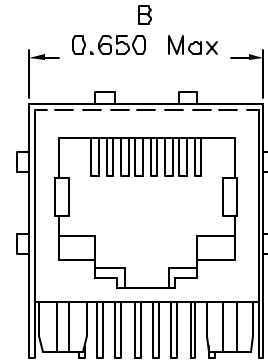
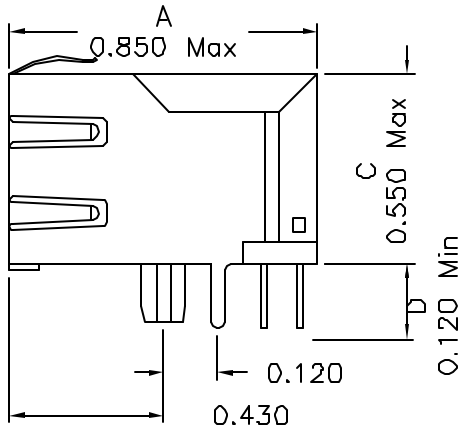
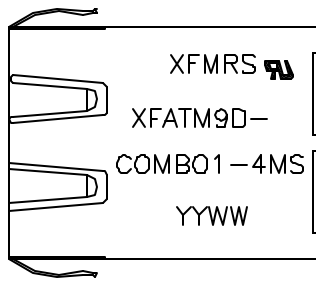
DOC. REV: A/5

<b>XFMRS Inc.</b> www.XFMRS.com	Title: <b>SINGLE PORT COMBO</b>		
	UNLESS OTHERWISE SPECIFIED TOLERANCES: .xxx ±0.010		P/N: XFATM9D-COMBO1-4MS
Dimensions in Inch	DWN.	Xianyí	Aug-25-08
	CHK.	YK Liao	Aug-25-08
SHEET 1 OF 2	APP.	BW	Aug-25-08

**PROPRIETARY:**

Document is the property of XFMRS Group & is not allowed to be duplicated without authorization.

# Mechanical Dimensions:

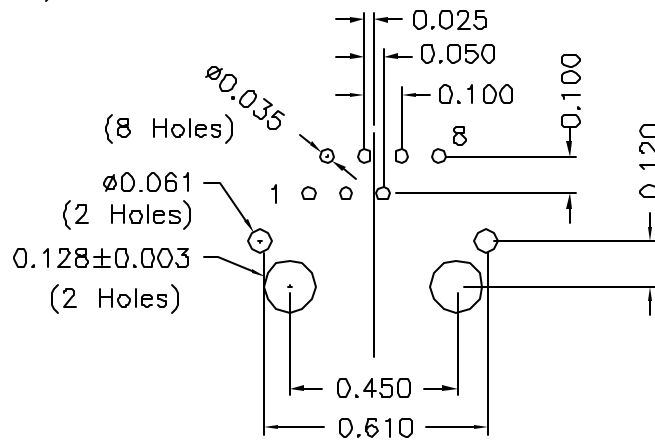


(BOTTOM VIEW)

Remove Pin 7

## Mounting Pattern:

(FOR COMBO1-4MS)  
(COMP SIDE)



DOC REV: A/5

<b>XFMRS Inc.</b> <a href="http://www.XFMRS.com">www.XFMRS.com</a>	Title: Mechanical Dimensions For COMBO1-4MS Series		
	P/N: XFATM9D-COMBO1-4MS	REV. A	
UNLESS OTHERWISE SPECIFIED TOLERANCES: .xxx ±0.010 Dimensions in Inch	DWN.	Xianyí	Aug-25-08
	CHK.	YK Liao	Aug-25-08
	APP.	BW	Aug-25-08
SHEET 2 OF 2			

**PROPRIETARY:**

Document is the property of XFMRS Group & is not allowed to be duplicated without authorization.