

PLEASE CHECK WWW.MOLEX.COM FOR LATEST PART INFORMATION

Part Number: [0681310211](#)
Status: **Active**
Description: Automotive Filtered Horn Header, Rivet Diameter 78.00mm (3.071"), 2 Circuits

Documents:

[3D Model](#) [RoHS Certificate of Compliance \(PDF\)](#)
[Drawing \(PDF\)](#)

General

Product Family	PCB Headers
Series	68131
Application	Wire-to-Board
Product Name	N/A

Physical

Breakaway	No
Circuits (Loaded)	2
Circuits (maximum)	2
First Mate / Last Break	No
Glow-Wire Compliant	No
Guide to Mating Part	No
Keying to Mating Part	None
Lock to Mating Part	Yes
Material - Metal	Brass
Material - Plating Mating	Tin
Number of Rows	1
Orientation	Vertical
PCB Retention	None
Packaging Type	Bag
Pitch - Mating Interface (in)	0.197 In
Pitch - Mating Interface (mm)	5.00 mm
Polarized to PCB	Yes
Shrouded	Partial
Stackable	No
Temperature Range - Operating	-40°C to +80°C
Termination Interface: Style	Screw or Lug

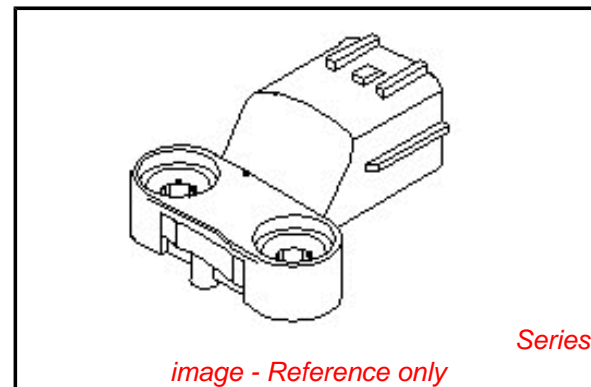
Electrical

Current - Maximum per Contact	10A
Voltage - Maximum	300V

Material Info

Reference - Drawing Numbers

Sales Drawing	SD-68131-001
---------------	--------------



EU RoHS

ELV and RoHS Compliant
REACH SVHC
 Not Reviewed
Halogen-Free Status
 Not Reviewed

China RoHS



Need more information on product environmental compliance?

Email productcompliance@molex.com
 For a multiple part number RoHS Certificate of Compliance, [click here](#)

Please visit the [Contact Us](#) section for any non-product compliance questions.

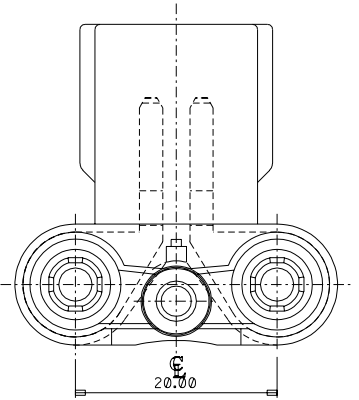
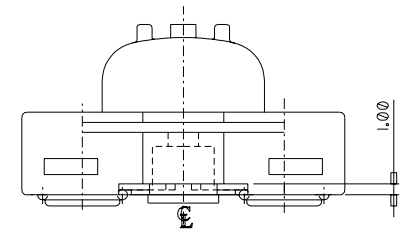
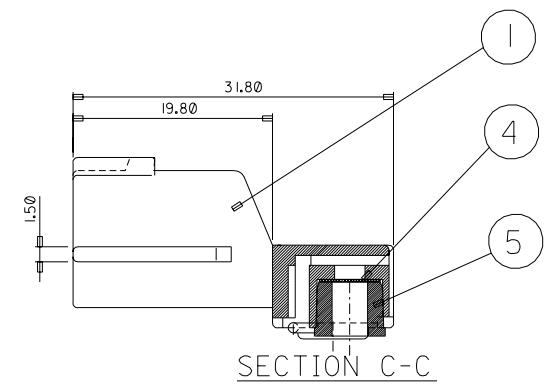
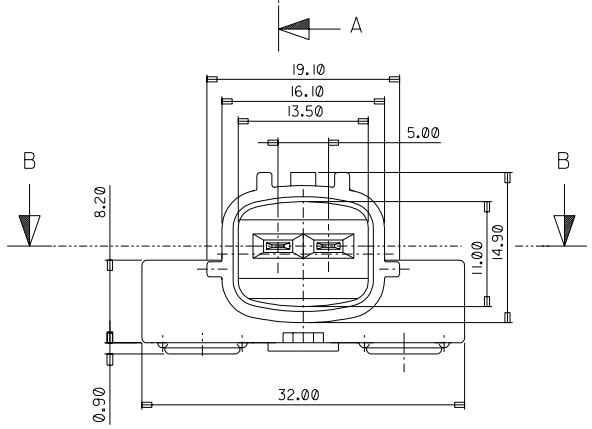
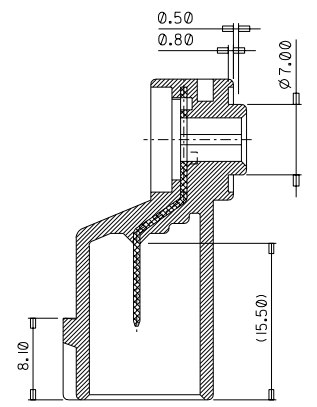
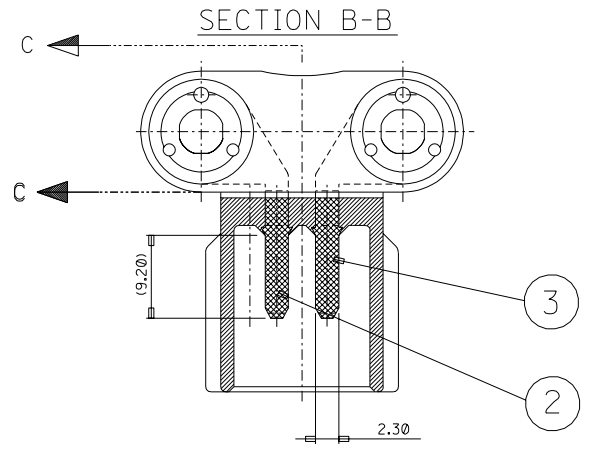
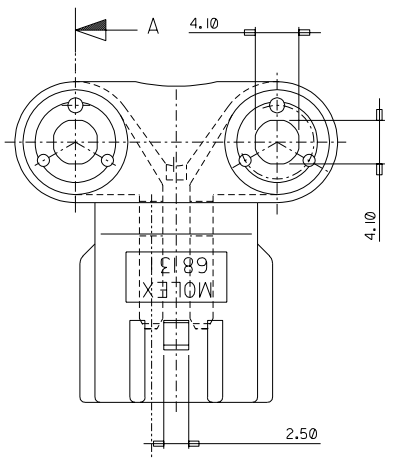
Search Parts in this Series

[68131Series](#)

Mates With

[35825](#) Silicone Rubber Wire Seal for Automotive Horn Connector

DWG. NO. SD-68131-001
 SIMILAR ITEM
 PROJECT NO.
 DO NOT SCALE DRAWING
 DIMENSION IN METRIC



3	681310215	68131-0215
2	681310211	68131-0211
1	681310210	68131-0210
NO.	MATERIAL NO.	ENG. NO.

NO.	P/NAME	P/NO.	Q'TY	MATERIAL	FINISH
1	HEADER 2P	68131-0295	1	30% GLASS FILLED POLYESTER	GRAY
		68131-0291	1	30% GLASS FILLED POLYESTER	BLACK
		68131-0290	1	30% GLASS FILLED POLYESTER	WHITE
2	PIN (LEFT)	35685-2401	1	BRASS	PRE TIN
3	PIN (RIGHT)	35684-2401	1	BRASS	PRE TIN
4	GASKET	35940-0023	1	PAPER(FIBER ALLOY)	WHITE
5	BOTTOM SEAL	35903-0107	1	OIL SILICONE	BLACK

NOTE

- APPLICATION: .090 FEMALE HOUSING ASS'Y 2P(35825-0211)
.090 SEALED FEMALE TER'L(35407-6702 S)
(35407-6902 L)
- PRODUCT SPECIFICATION: 68131-0291
- MATERIAL & FINISH: SEE TABLE

Release to manufacturing EC NO. KOR 2002-0163 DRWN: H.C.RHO 02/07/09 CHK: H.C.RHO 02/07/09 APPR: C.W.LEE 02/07/09	QUALITY SYMBOLS MAJOR CRITICAL	GENERAL TOLERANCES: (UNLESS SPECIFIED)		SCALE 2:1	DESIGN UNITS <input checked="" type="checkbox"/> mm <input type="checkbox"/> INCH	THIRD ANGLE PROJECTION <input checked="" type="checkbox"/> THIRD ANGLE <input type="checkbox"/> FIRST ANGLE	DIMENSIONS: <input type="checkbox"/> mm <input type="checkbox"/> INCH <input checked="" type="checkbox"/> mm ONLY	SHT REV	
		4 PLACES ±0. ±.	3 PLACES ±0. ±.	2 PLACES ±0.20 ±.	1 PLACE ±0.30 ±.	DRAWN BY & DATE 98/10/28 H.C.RHO	TITLE: FILTER HORN HEADER ASS'Y 2P(Ø78)		
		ANGULAR: ± 1 °				CHECKED BY & DATE 98/10/28 B.K.C.HOI	MOLEX INCORPORATED KOREA		
		DRAFT WHERE APPLICABLE MUST REMAIN WITHIN DIMENSIONS				APPROVED BY & DATE 98/10/28 C.W.LEE	CAD FILENAME HORNAT8	MATERIAL NO. SEE TABLE	DRAWING NO. SD-68131-001

THIS DRAWING CONTAINS INFORMATION THAT IS PROPRIETARY TO MOLEX INCORPORATED AND SHOULD NOT BE USED WITHOUT WRITTEN PERMISSION.