

PLEASE CHECK WWW.MOLEX.COM FOR LATEST PART INFORMATION

Part Number: [0495550214](#)
Status: **Planned for Obsolescence**
Description: 13.00mm (.512") Pitch, MP-Lock™ Housing, 2 Circuits, Blue UL94V-0

Documents:

[Drawing \(PDF\)](#) [RoHS Certificate of Compliance \(PDF\)](#)
[Product Specification PS-49555-001 \(PDF\)](#)

Agency Certification

UL E29179

General

Product Family Crimp Housings
 Series [49555](#)
 Product Name MP-Lock™

Physical

Breakaway No
 Circuits (maximum) 2
 Color - Resin Blue
 Flammability 94V-0
 Gender Female
 Glow-Wire Compliant No
 Keying to Mating Part None
 Lock to Mating Part No
 Material - Resin Polyester Alloy
 Number of Rows 1
 Packaging Type Bag
 Panel Mount No
 Pitch - Mating Interface (in) 0.512 In
 Pitch - Mating Interface (mm) 13.00 mm
 Pitch - Term. Interface (in) 0.512 In
 Pitch - Term. Interface (mm) 13.00 mm
 Polarized to Mating Part Yes
 Ports 2
 Stackable No
 Temperature Range - Operating -40°C to +120°C

Material Info

Reference - Drawing Numbers

Product Specification PS-49555-001
 Sales Drawing SD-49555-001

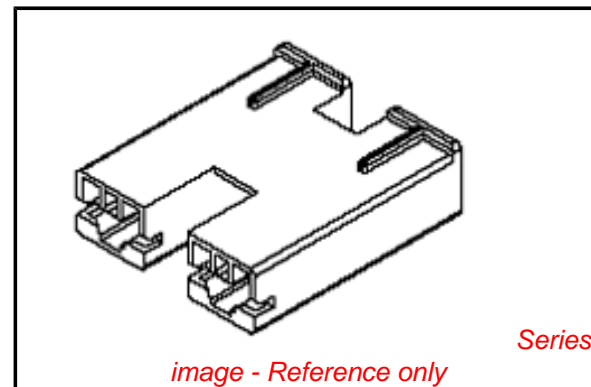


image - Reference only

EU RoHS

ELV and RoHS Compliant
REACH SVHC
 Not Reviewed
Halogen-Free Status
Not Reviewed

China RoHS



Need more information on product environmental compliance?

Email productcompliance@molex.com
 For a multiple part number RoHS Certificate of Compliance, [click here](#)

Please visit the [Contact Us](#) section for any non-product compliance questions.

Search Parts in this Series

[49555Series](#)

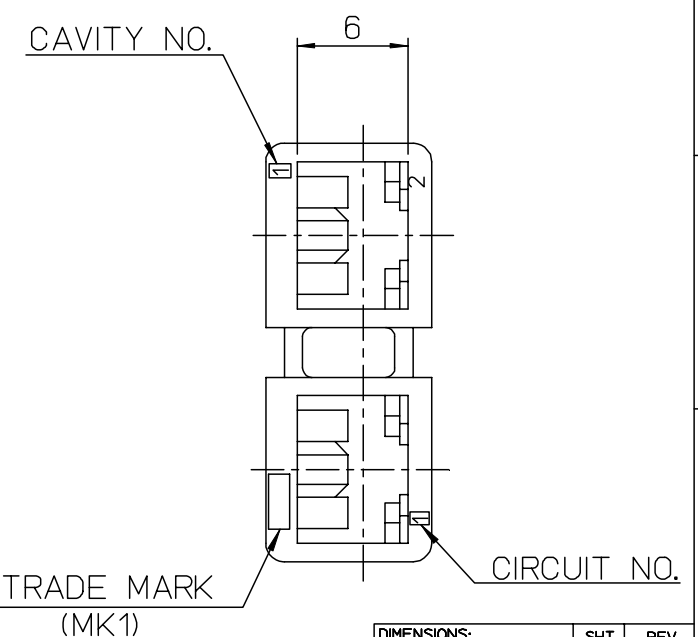
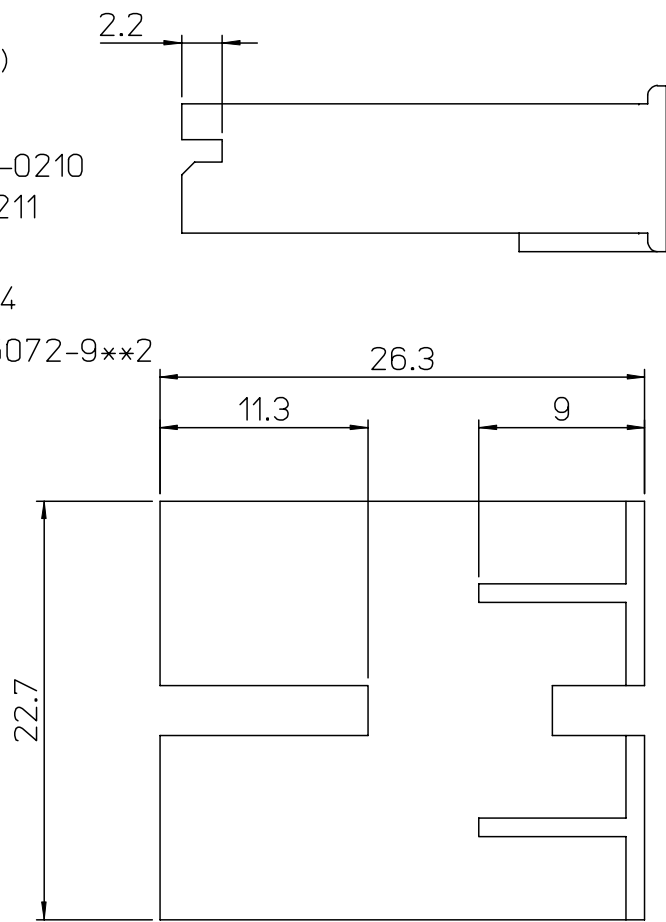
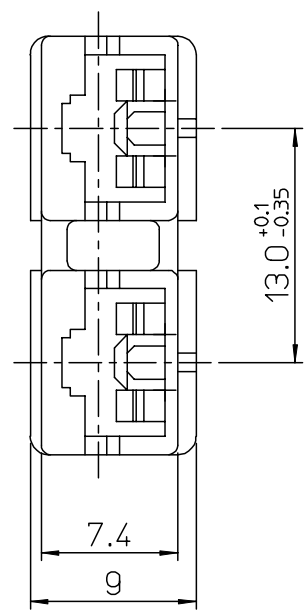
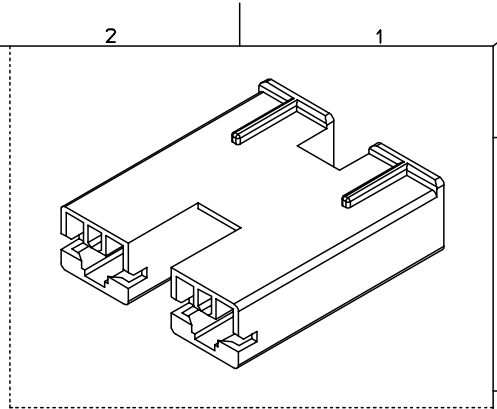
Use With

[35072](#) MP-Lock™ Quick Disconnect Female Terminal

DWG. NO. SD-49555-001
 SIMILAR ITEM
 PROJECT NO.
 B
 C
 DO NOT SCALE DRAWING
 DIMENSION IN METRIC

NOTES

1. MATERIAL : PBT/PC(UL94V-0)
2. FINISH :
 - 1) NATURAL COLOR : 49555-0210
 - 2) BLACK COLOR : 49555-0211
 - 3) RED COLOR : 49555-0212
 - 4) BLUE COLOR : 49555-0214
3. APPLICABLE TERMINAL : 35072-9**2



NEW RELEASE ECN NO. KOR2007-0004 DRWN: J.B.JIN 06/07/06 CHK: W.Y.YANG APPR: S.H.CHOI	QUALITY SYMBOLS MAJOR = CRITICAL =	GENERAL TOLERANCES: (UNLESS SPECIFIED)		SCALE 4:1	DESIGN UNITS <input checked="" type="checkbox"/> mm <input type="checkbox"/> INCH	THIRD ANGLE PROJECTION <input checked="" type="checkbox"/> mm <input type="checkbox"/> INCH ONLY	SHT	REV		
		4 PLACES ±0.	±-	mm	INCH	DRAWN BY & DATE J.B.JIN 06/01/04		TITLE: .250 MP-LOCK HOUSING-2P (13mm PITCH)		
A	DESCRIPTION REV	3 PLACES ±0.	±-	CHECKED BY & DATE W.Y.YANG 06/01/04		MOLEX INCORPORATED MATERIAL NO. SEE NOTES DRAWING NO. SD-49555-001 SHEET NO. 1 OF 1				
		2 PLACES ±0.35	±-	APPROVED BY & DATE S.H.CHOI 06/01/04						
		1 PLACE ±0.35	±-	CAD FILENAME S495550210AA.MI				SIZE B		
DRAFT WHERE APPLICABLE MUST REMAIN WITHIN DIMENSIONS				THIS DRAWING CONTAINS INFORMATION THAT IS PROPRIETARY TO MOLEX INCORPORATED AND SHOULD NOT BE USED WITHOUT WRITTEN PERMISSION.					KOREA	MX-A3