

PLEASE CHECK WWW.MOLEX.COM FOR LATEST PART INFORMATION

Part Number: [0351820193](#)
Status: **Active**
Description: 1.78mm (.070") Tab, Wire-to-Wire Male Housing TPA™, 1 Circuit, Vertical

Documents:

[3D Model](#) [Product Specification PS-35182-003 \(PDF\)](#)
[Drawing \(PDF\)](#) [RoHS Certificate of Compliance \(PDF\)](#)
[Product Specification PS-35150-001 \(PDF\)](#)

General

| | |
|----------------|---------------------------|
| Product Family | Accessories |
| Series | 35182 |
| Component Type | Retainer |
| Product Name | TPA™ - Term Pos Assurance |

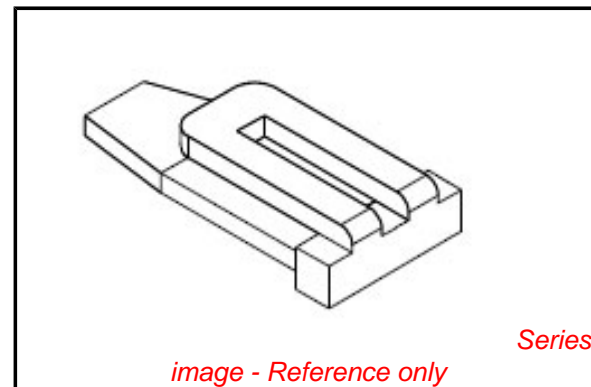
Physical

| | |
|-------------------------------|-----------------|
| Circuits (Loaded) | 1 |
| Color - Resin | Natural |
| Lock to Mating Part | Yes |
| Material - Resin | Nylon |
| Number of Rows | 1 |
| Packaging Type | Bag |
| Temperature Range - Operating | -40°C to +120°C |

Material Info

Reference - Drawing Numbers

| | |
|-----------------------|----------------------------|
| Product Specification | PS-35150-001, PS-35182-003 |
| Sales Drawing | SD-35182-019* |



EU RoHS

**ELV and RoHS
Compliant**
**REACH SVHC
Contains SVHC: No**
**Halogen-Free
Status**

China RoHS



**Need more information on product
environmental compliance?**

Email productcompliance@molex.com
 For a multiple part number RoHS Certificate of Compliance, [click here](#)

Please visit the [Contact Us](#) section for any non-product compliance questions.

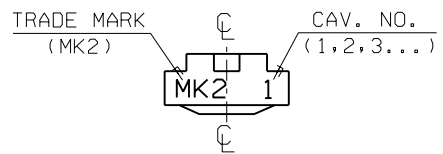
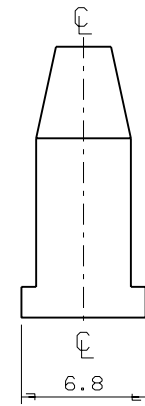
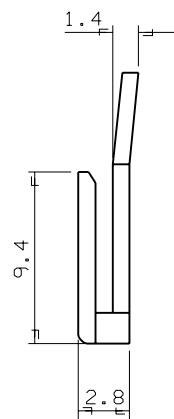
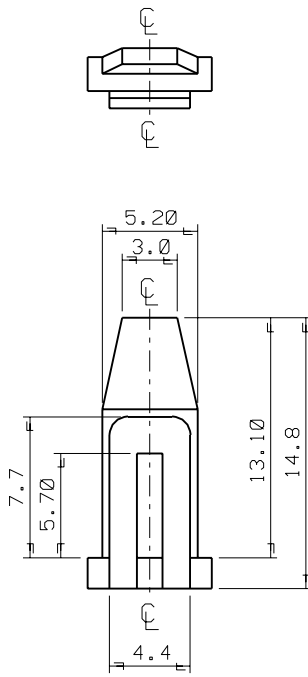
Search Parts in this Series

[35182Series](#)

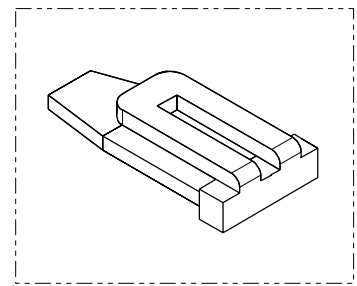
Use With

[35181 Wire-to-Wire Female Housing](#)

PROJECT NO. .070 MULTI CONN' EDP NO. SIMILAR ITEM ENG. NO SD 35182-019*



- NOTES
- MATERIAL : NYLON 66 (UL94V-2)
 - COLOR : 35182-0190 (NATURAL)
35182-0192 (RED)
35182-0193 (YELLOW)
35182-0194 (BLUE)
 - MATCHED HOUSING : 35181-020*
35181-021*
35181-022*



| | | | | | | | |
|---------------------------|--|------------|---------|---|--|----------------------------|--|
| | | | | MATERIAL SEE NOTES | | molex MOLEX-KOREA CO.,LTD. | |
| | | | | GENERAL TOLERANCE DIMENSION : +0.3 ANGLE : +1° | | DRAWN BY J.S.KANG | |
| | | | | DIMENSION CLASSIFICATION ▽ : CRITICAL ▼ : MAJOR () : REFERENCE | | CHK'D BY | |
| A NEW RELEASED | | PDR 94-041 | 95 9.28 | APP'D BY | | SCALE 4/1 | |
| LTR REVISION RECORD | | ECN | DATE | TITLE : .070 MULTI FEMALE HOUSING T.P.A-1P | | SHEET 1 OF 1 | |
| REVISE ONLY ON CAD SYSTEM | | | | ASS'Y PART DESCRIPTION ENG. NO. | | ENG. NO. SD 35182-019* | |
| | | | | --- | | REV A | |