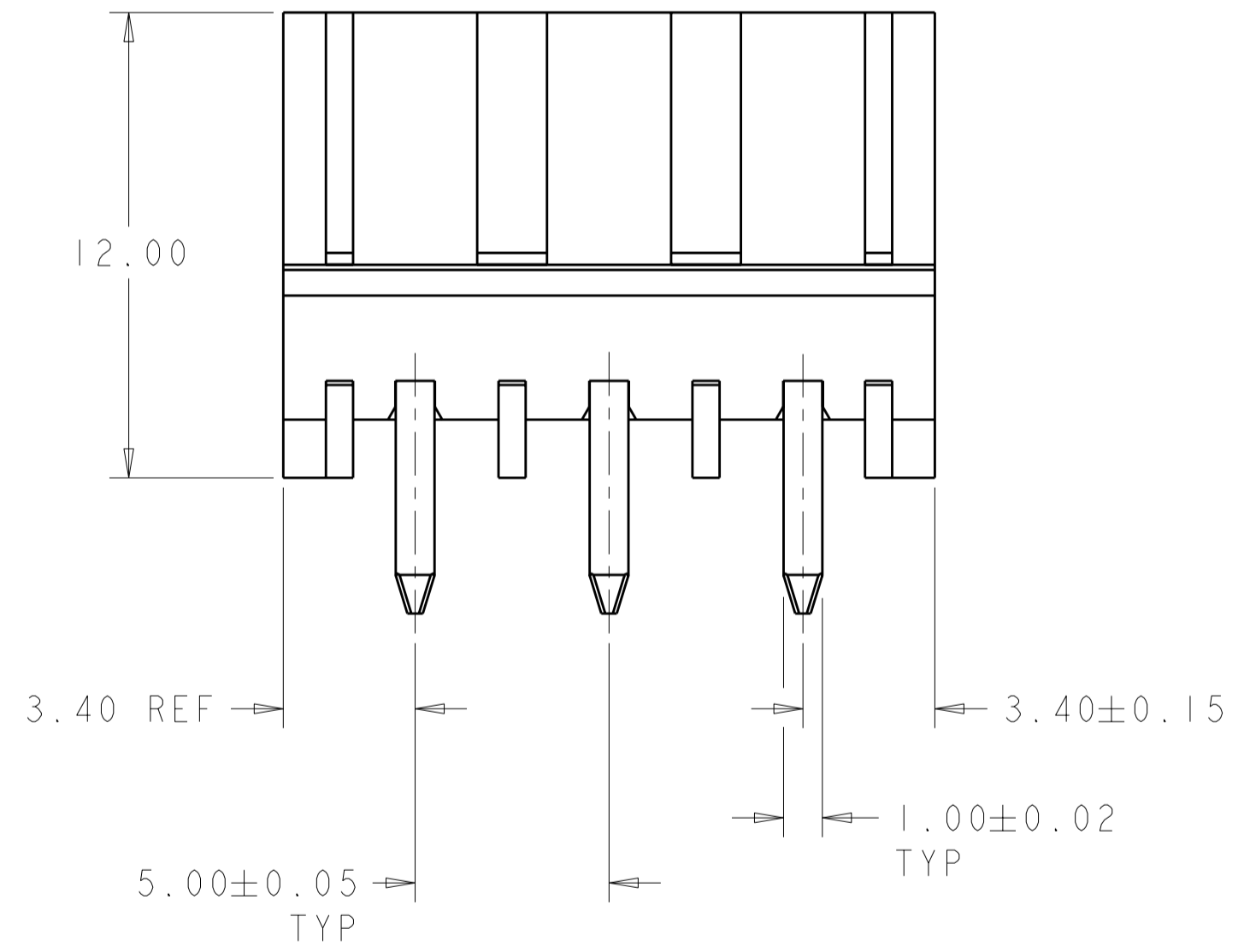
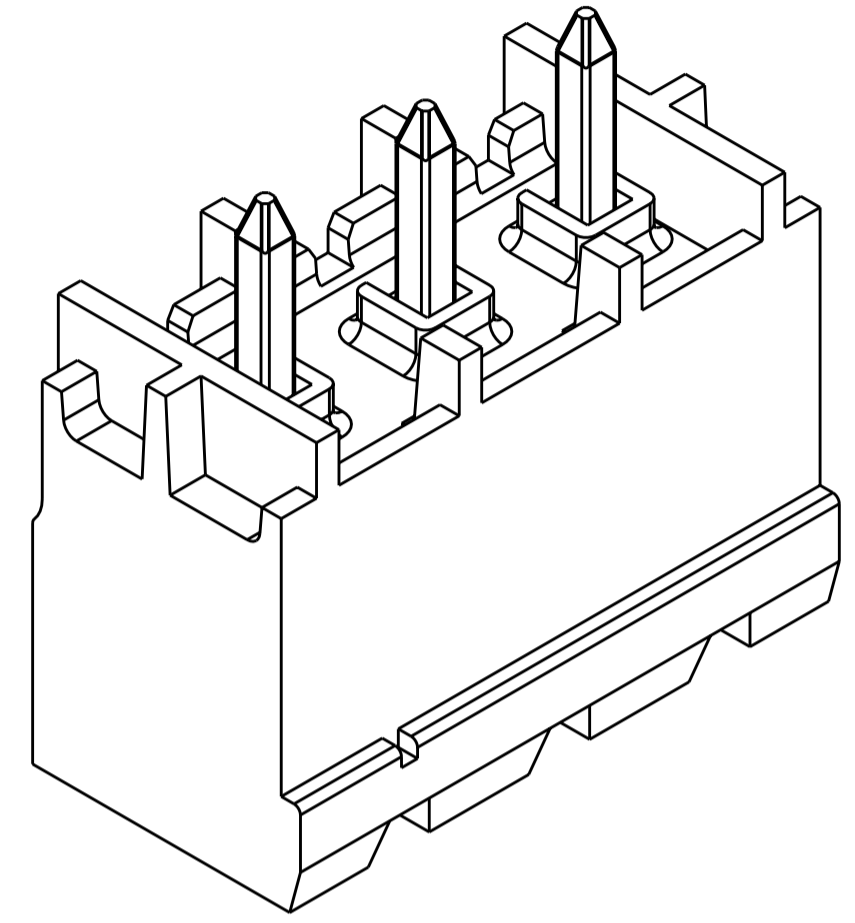
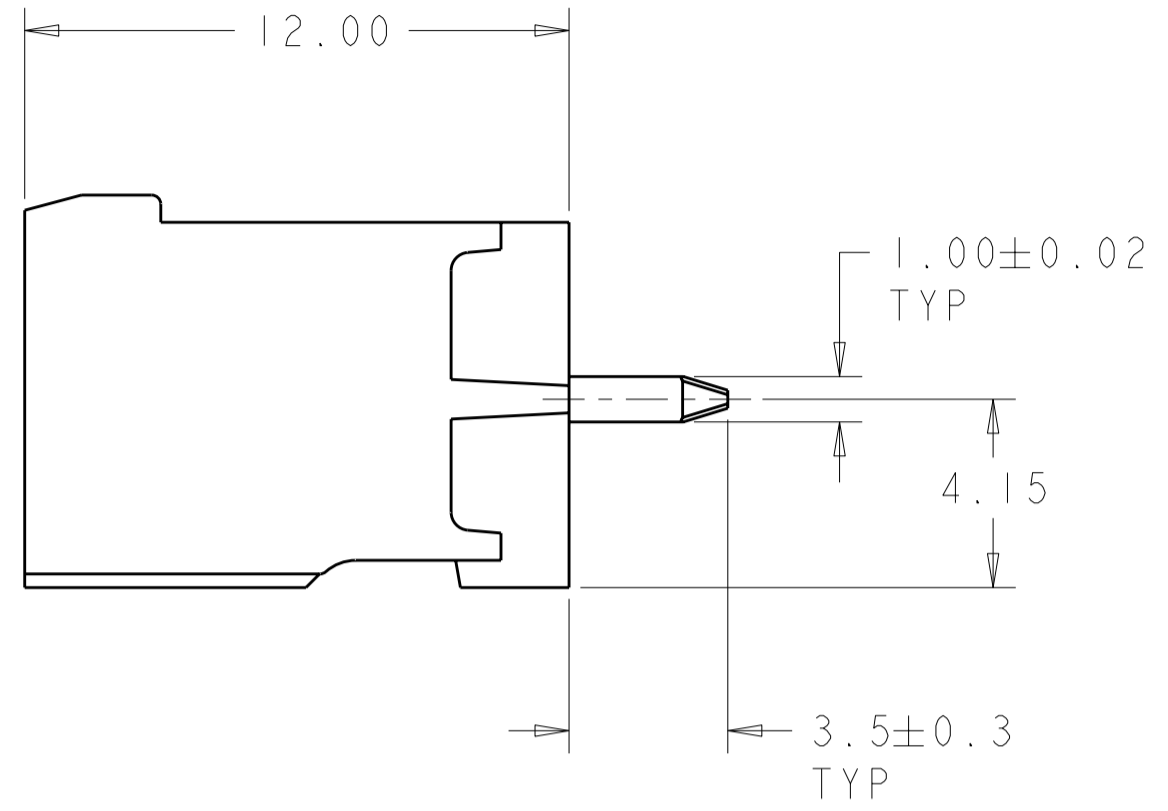
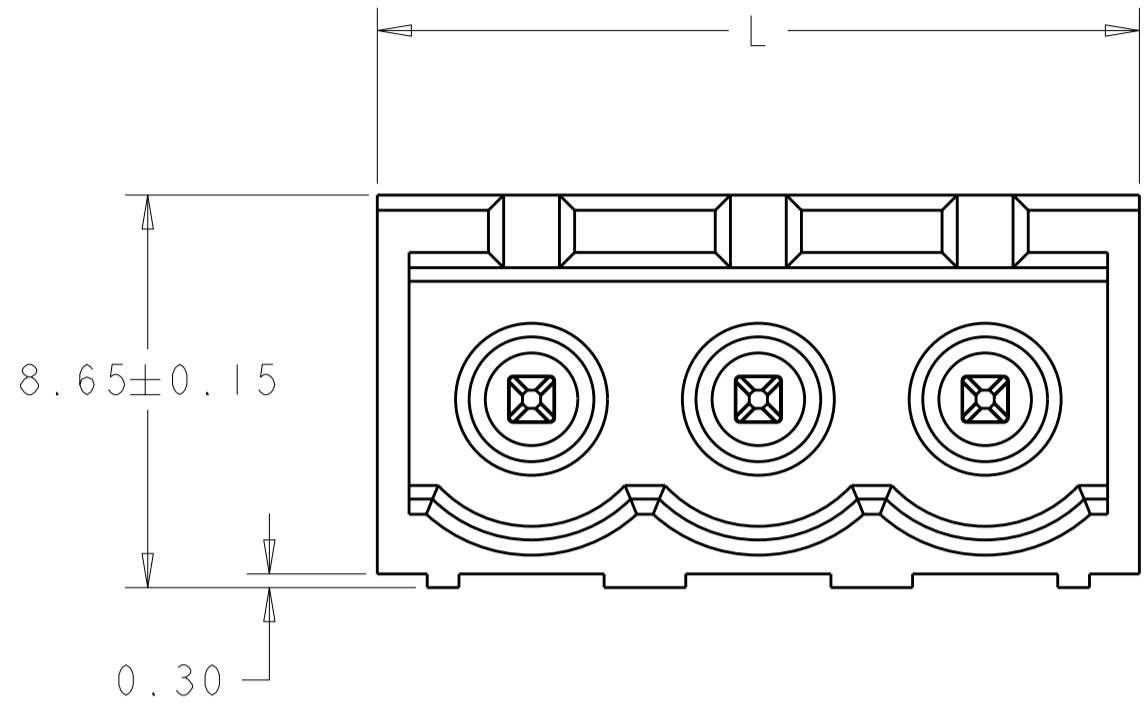


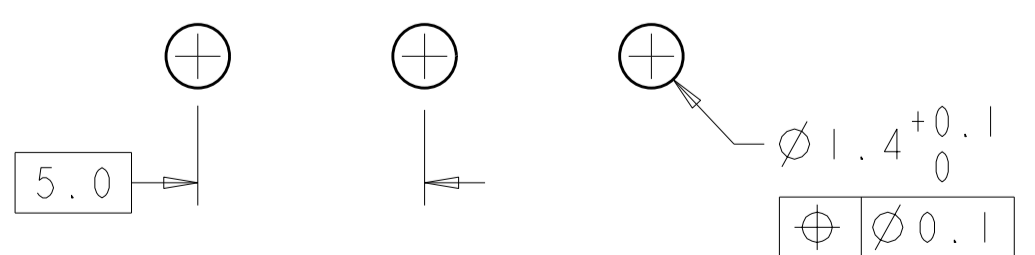
THIS DRAWING IS UNPUBLISHED. RELEASED FOR PUBLICATION 20
 © COPYRIGHT 20 BY TYCO ELECTRONICS CORPORATION. ALL RIGHTS RESERVED.

LOC		DIST		REVISIONS			
P	LTR	DESCRIPTION	DATE	DWN	APVD		
	O	RELEASED EC 063B-0612-04	07JUN2005	SW	CR		
	A	REVISED ECO-07-004473	12MAR2007	SW	CR		



- ⚠ MATERIALS AND FINISH:
 HOUSING: HIGH TEMPERATURE POLYAMIDE, UL 94V-0 RATED,
 COLOR: BLACK.
 TERMINAL: PHOSPHOR BRONZE, TIN PLATED.
- SUITABLE FOR 1,6-2, 4mm PC BOARD THICKNESS.
 - RECOGNIZED UNDER THE COMPONENT PROGRAM OF UNDERWRITERS LABORATORIES INC. FILE N° E60677.
 - IMQ CERTIFICATE WITH SURVEILLANCE IN CONFORMITY WITH IEC 998-1/998-2-1.)
 - UL RATING 300V, 15A.

61.8	12	1-1776146-2
56.8	11	1-1776146-1
51.8	10	1-1776146-0
46.8	9	1776146-9
41.8	8	1776146-8
36.8	7	1776146-7
31.8	6	1776146-6
26.8	5	1776146-5
21.8	4	1776146-4
16.8	3	1776146-3
11.8	2	1776146-2
L	NO OF POSN	PART NUMBER



RECOMMENDED PC BOARD LAYOUT

THIS DRAWING IS A CONTROLLED DOCUMENT FOR TYCO ELECTRONICS CORPORATION. IT IS SUBJECT TO CHANGE AND THE CONTROLLING ENGINEERING ORGANIZATION SHOULD BE CONTACTED FOR THE LATEST REVISION.		DWN S. WELDON 06 JUN 2005	Tyco Electronics Harrisburg, PA 17105-3608	
DIMENSIONS: mm		CHK C. RICHARD 06 JUN 2005	NAME TERMINAL BLOCK HEADER ASSEMBLY 80 DEGREE, CLOSED ENDS, 5.00mm PITCH 5.00mm PITCH	
TOLERANCES UNLESS OTHERWISE SPECIFIED: 0 PLC ±- 1 PLC ±0.3 2 PLC ±0.25 3 PLC ±- 4 PLC ±- ANGLES ±- FINISH		APVD C. RICHARD 06 JUN 2005	RESTRICTED TO	
MATERIAL		PRODUCT SPEC	SIZE A2	CAGE CODE 00779
		APPLICATION SPEC	DRAWING NO 1776146	REV A
		WEIGHT	SCALE 4:1 SHEET 1 OF 1	
CUSTOMER DRAWING				