



Non-Volatile SRAM MODULE 1Mbit (128K x 8-Bit),34Pin-JLCC, 5V
Part No. HMN1288J

GENERAL DESCRIPTION

The HMN1288J Nonvolatile SRAM is a 1,048,576-bit static RAM organized as 131,072 bytes by 8 bits.

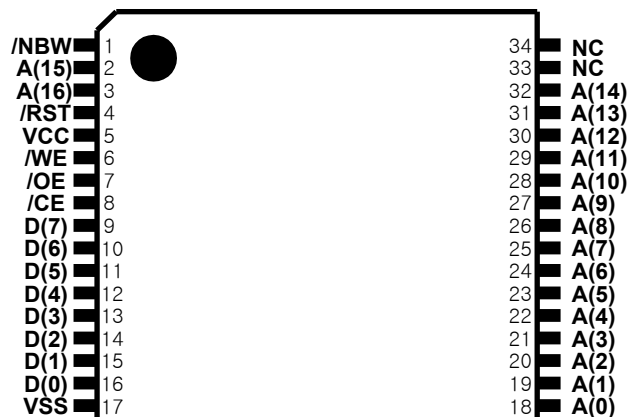
The HMN1288J has a self-contained lithium energy source provide reliable non-volatility coupled with the unlimited write cycles of standard SRAM and integral control circuitry which constantly monitors the single 5V supply for an out-of-tolerance condition. When such a condition occurs, the lithium energy source is automatically switched on to sustain the memory until after V_{CC} returns valid and write protection is unconditionally enabled to prevent garbled data. In addition the SRAM is unconditionally write-protected to prevent an inadvertent write operation. At this time the integral energy source is switched on to sustain the memory until after V_{CC} returns valid.

The HMN1288J uses extremely low standby current CMOS SRAM's, coupled with small lithium coin cells to provide non-volatility without long write-cycle times and the write-cycle limitations associated with EEPROM.

FEATURES

- ◆ Access time : 55, 70 ns
- ◆ High-density design : 4Mbit Design
- ◆ Battery internally isolated until power is applied
- ◆ Industry-standard 34-pin 128K x 8 pinout
- ◆ Unlimited write cycles
- ◆ Data retention in the absence of V_{CC}
- ◆ 10-years minimum data retention in absence of power
- ◆ Automatic write-protection during power-up/power-down cycles
- ◆ Data is automatically protected during power loss
- ◆ Conventional SRAM operation; unlimited write cycles

PIN ASSIGNMENT



JLCC TOP VIEW

OPTIONS

- ◆ Timing
- 55 ns
- 70 ns

MARKING

-55
-70

FUNCTIONAL DESCRIPTION

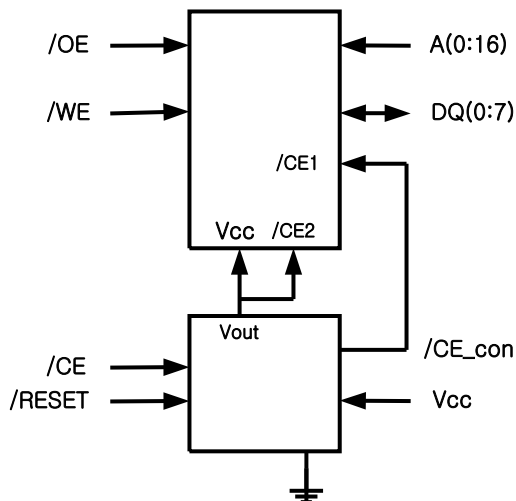
The HMN1288J executes a read cycle whenever \overline{WE} is inactive(high) and \overline{CE} is active(low). The address specified by the address inputs(A_0-A_{16}) defines which of the 131,072 bytes of data is accessed. Valid data will be available to the eight data output drivers within t_{ACC} (access time) after the last address input signal is stable.

When power is valid, the HMN1288J operates as a standard CMOS SRAM. During power-down and power-up cycles, the HMN1288J acts as a nonvolatile memory, automatically protecting and preserving the memory contents.

The HMN1288J is in the write mode whenever the \overline{WE} and \overline{CE} signals are in the active (low) state after address inputs are stable. The later occurring falling edge of \overline{CE} or \overline{WE} will determine the start of the write cycle. The write cycle is terminated by the earlier rising edge of \overline{CE} or \overline{WE} . All address inputs must be kept valid throughout the write cycle. \overline{WE} must return to the high state for a minimum recovery time (t_{WR}) before another cycle can be initiated. The \overline{OE} control signal should be kept inactive (high) during write cycles to avoid bus contention. However, if the output bus been enabled (\overline{CE} and \overline{OE} active) then \overline{WE} will disable the outputs in t_{ODW} from its falling edge.

The HMN1288J provides full functional capability for V_{CC} greater than 4.75 V and write protects by 4.5 V nominal. Power-down/power-up control circuitry constantly monitors the V_{CC} supply for a power-fail-detect threshold V_{PFD} . When V_{CC} falls below the V_{PFD} threshold, the SRAM automatically write-protects the data. All inputs to the RAM become "don't care" and all outputs are high impedance. As V_{CC} falls below approximately 2.7 V, the power switching circuit connects the lithium energy source to RAM to retain data. During power-up, when V_{CC} rises above approximately 2.7 volts, the power switching circuit connects external V_{CC} to the RAM and disconnects the lithium energy source. Normal RAM operation can resume after V_{CC} exceeds 4.75 volts.

BLOCK DIAGRAM



PIN DESCRIPTION

A_0-A_{16} : Address Input
\overline{CE} : Chip Enable
V_{SS} : Ground
DQ_0-DQ_7 : Data In / Data Out
\overline{WE} : Write Enable
\overline{OE} : Output Enable
V_{CC} : Power (+5V)
NC : No Connection

TRUTH TABLE

MODE	/OE	/CE	/WE	I/O OPERATION	POWER
Not selected	X	H	X	High Z	Standby
Output disable	H	L	H	High Z	Active
Read	L	L	H	D _{OUT}	Active
Write	X	L	L	D _{IN}	Active

ABSOLUTE MAXIMUM RATINGS

PARAMETER	SYMBOL	RATING	CONDITIONS
DC voltage applied on V _{CC} relative to V _{SS}	V _{CC}	-0.3V to 7.0	
DC Voltage applied on any pin excluding V _{CC} relative to V _{SS}	V _T	-0.3V to V _{CC} +0.3	V _T ≤ V _{CC} +0.3
Operating temperature	T _{OPR}	0 to 70°C	
Storage temperature	T _{STG}	-55°C to 125°C	
Soldering temperature	T _{SOLDER}	260°C	For 10 second

NOTE: Permanent device damage may occur if Absolute Maximum Ratings are exceeded.
Functional operation should be restricted to the Recommended DC Operating Conditions detailed in this data sheet.
Exposure to higher than recommended voltage for extended periods of time could affect device reliability.

RECOMMENDED DC OPERATING CONDITIONS (T_A = T_{OPR})

PARAMETER	SYMBOL	MIN	TYPICAL	MAX
Supply Voltage	V _{CC}	4.5V	-	5.5V
Ground	V _{SS}	0	0	0
Input high voltage	V _{IH}	2.0	-	V _{CC} +0.3
Input low voltage	V _{IL}	-0.3	-	0.8V

NOTE: Typical values indicate operation at T_A = 25°C

CAPACITANCE (T_A=25°C, f=1MHz, V_{CC}=5V)

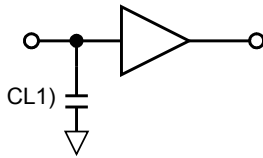
DESCRIPTION	CONDITIONS	SYMBOL	MAX	MIN	UNIT
Input Capacitance	Input voltage = 0V	C _{IN}	8	-	pF
Input/Output Capacitance	Output voltage = 0V	C _{I/O}	10	-	pF

DC ELECTRICAL CHARACTERISTICS ($T_A = T_{OPR}$, $V_{CCmin} \leq V_{CC} \leq V_{CCmax}$)

PARAMETER	CONDITIONS	SYMBOL	MIN	TYP.	MAX	UNIT
Input Leakage Current	$V_{IN} = V_{SS}$ to V_{CC}	I_{LI}	-	-	± 2.0	μA
Output Leakage Current	$/CE = V_{IH}$ or $/OE = V_{IH}$ or $/WE = V_{IL}$	I_{LO}	-	-	± 2.0	μA
Output high voltage	$I_{OH} = -1.0mA$	V_{OH}	2.4	-	-	V
Output low voltage	$I_{OL} = 2.0mA$	V_{OL}	-	-	0.4	V
V_{CC} Trip Point (TOL=GND)		V_{CCTP}	4.5	4.62	4.75	V
Standby supply current	$/CE = 2.2v$	I_{SB}	-	-	3	mA
Standby supply current	$/CE \geq V_{CC} - 0.3V$,	I_{SB1}	-	-	150	μA
Operating Power supply current	$/CE = V_{IL}$, $I_{I/O} = 0mA$, $V_{IN} = V_{IL}$ or V_{IH} , Read	I_{CC}	-	-	12	mA
V_{CC}/V_{BAT} Switch Point		V_{SW}	2.6	2.7	2.8	V

NOTE: Typical values indicate operation at $T_A = 25^\circ C$.

CHARACTERISTICS (Test Conditions)



Including scope and jig capacitance

PARAMETER	VALUE
Input pulse levels	0.8 to 2.4V
Input rise and fall times	5 ns
Input and output timing reference levels	1.5V (unless otherwise specified)
Output load ($CL^1 = 50pF + 1TTL$) ($CL^1 = 100pF + 1TTL$)	See Figures

READ CYCLE ($T_A = T_{OPR}$, $V_{CCmin} \leq V_{CC} \leq V_{CCmax}$)

PARAMETER	SYMBOL	CONDITIONS	-55		-70		UNIT
			MIN	MAX	MIN	MAX	
Read Cycle Time	t_{RC}		55	-	70	-	ns
Address Access Time	t_{ACC}	Output load A	-	55	-	70	ns
Chip enable access time	t_{ACE}	Output load A		55	-	70	ns
Output enable to Output valid	t_{OE}	Output load A	-	25	-	35	ns
Chip enable to output in low Z	t_{CLZ}	Output load B	10	-	10	-	ns
Output enable to output in low Z	t_{OLZ}	Output load B	5	-	5	-	ns
Chip disable to output in high Z	t_{CHZ}	Output load B	0	20	0	25	ns
Output disable to output high Z	t_{OHZ}	Output load B	0	20	0	25	ns
Output hold from address change	t_{OH}	Output load A	10	-	10	-	ns

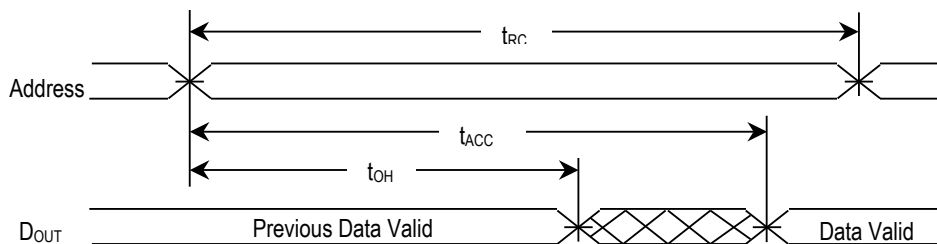
WRITE CYCLE ($T_A = T_{OPR}$, $V_{CCmin} \leq V_{CC} \leq V_{CCmax}$)

PARAMETER	SYMBOL	CONDITIONS	-70		-85		UNIT
			MIN	MAX	MIN	MAX	
Write Cycle Time	t_{WC}		55	-	70	-	ns
Chip enable to end of write	t_{CW}	Note 1	45	-	60	-	ns
Address setup time	t_{AS}	Note 2	0	-	0	-	ns
Address valid to end of write	t_{AW}	Note 1	45	-	60	-	ns
Write pulse width	t_{WP}	Note 1	40	-	50	-	ns
Write recovery time (write cycle 1)	t_{WR1}	Note 3	5	-	5	-	ns
Write recovery time (write cycle 2)	t_{WR2}	Note 3	15	-	15	-	ns
Data valid to end of write	t_{DW}		20	-	25	-	ns
Data hold time (write cycle 1)	t_{DH1}	Note 4	0	-	0	-	ns
Data hold time (write cycle 2)	t_{DH2}	Note 4	0	-	0	-	ns
Write enabled to output in high Z	t_{WZ}	Note 5	0	20	0	25	ns
Output active from end of write	t_{OW}	Note 5	5	-	5	-	ns

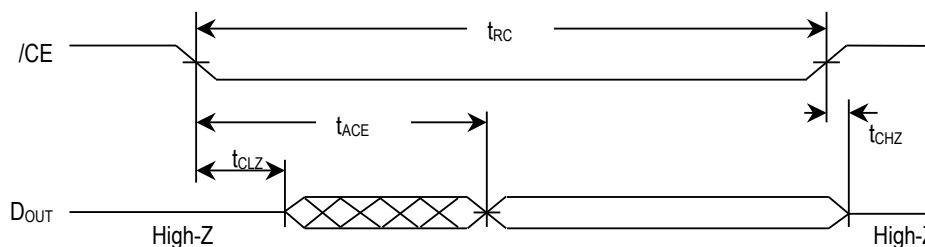
- NOTE:**
1. A write ends at the earlier transition of /CE going high and /WE going high.
 2. A write occurs during the overlap of allow /CE and a low /WE. A write begins at the later transition of /CE going low and /WE going low.
 3. Either t_{WR1} or t_{WR2} must be met.
 4. Either t_{DH1} or t_{DH2} must be met.
 5. If /CE goes low simultaneously with /WE going low or after /WE going low, the outputs remain in high-impedance state.

TIMING WAVEFORM

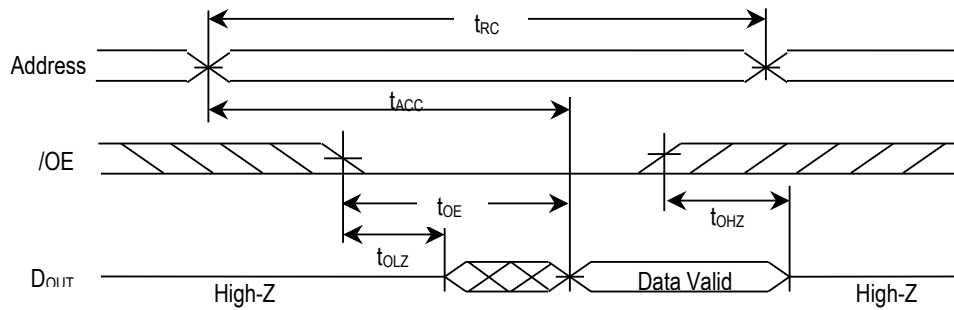
- READ CYCLE NO.1 (Address Access)*1,2



- READ CYCLE NO.2 (/CE Access)*1,3,4

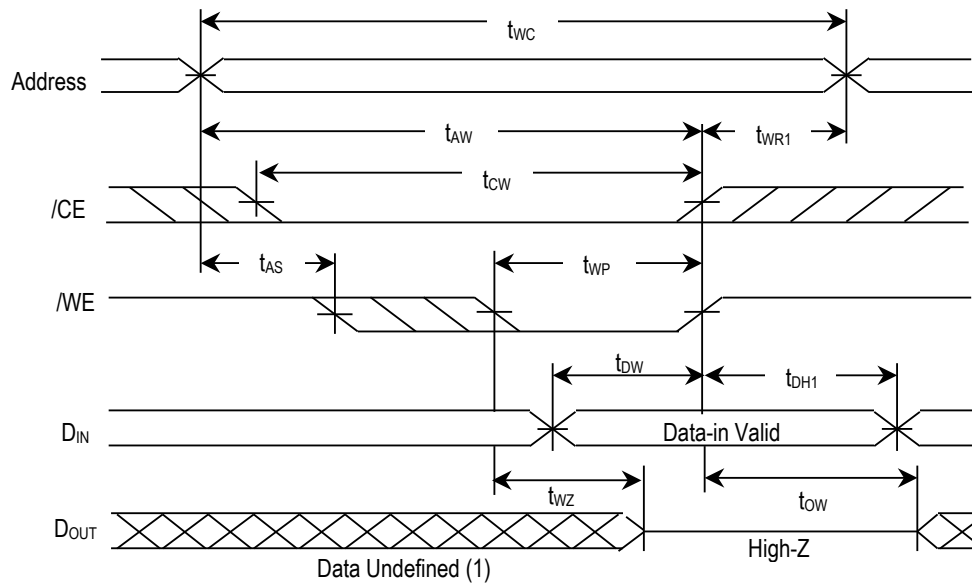


- READ CYCLE NO.3 (/OE Access)^{*1,5}

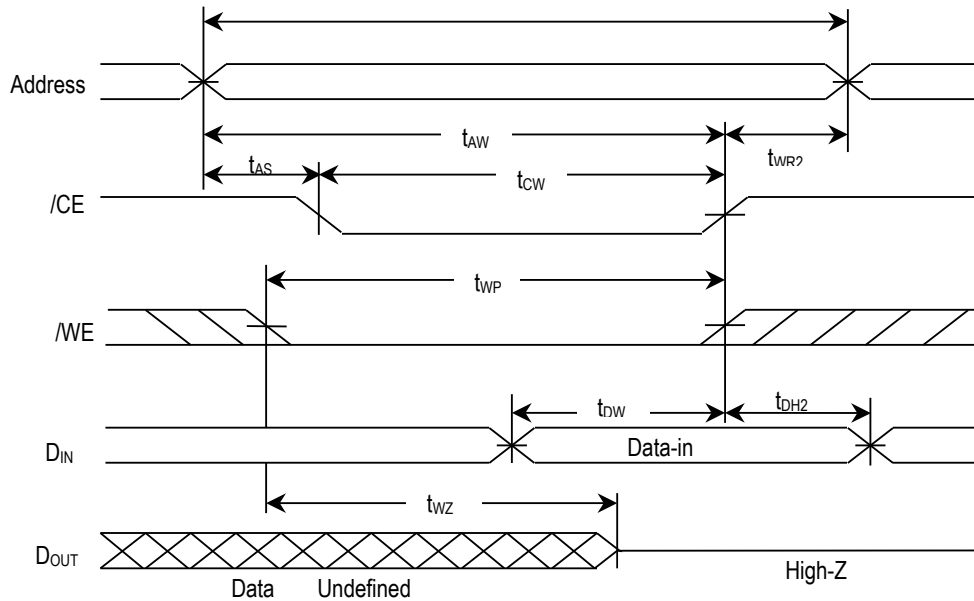


- NOTES:**
1. /WE is held high for a read cycle.
 2. Device is continuously selected: /CE = /OE = V_{IL} .
 3. Address is valid prior to or coincident with /CE transition low.
 4. /OE = V_{IL} .
 5. Device is continuously selected: /CE = V_{IL} .

- WRITE CYCLE NO.1 (/WE-Controlled)^{*1,2,3}

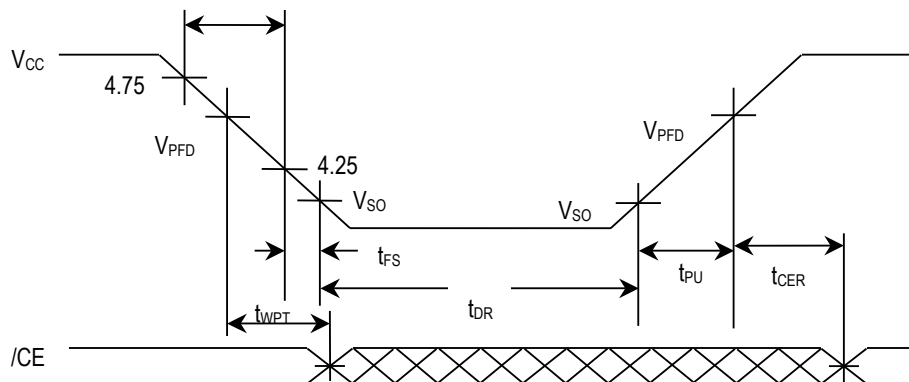


- WRITE CYCLE NO.2 (/CE-Controlled)*1,2,3,4,5



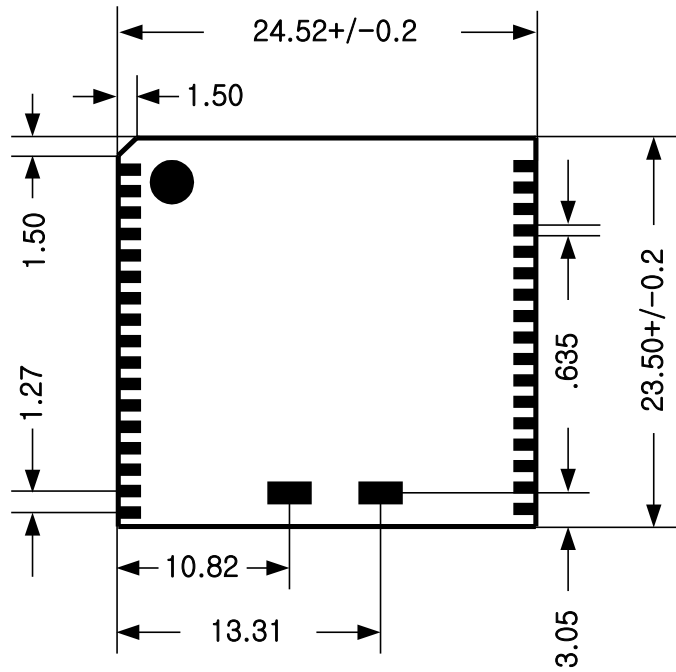
- NOTE:**
1. /CE or /WE must be high during address transition.
 2. Because I/O may be active (/OE low) during this period, data input signals of opposite polarity to the outputs must not be applied.
 3. If \overline{OE} is high, the I/O pins remain in a state of high impedance.
 4. Either t_{WR1} or t_{WR2} must be met.
 5. Either t_{DH1} or t_{DH2} must be met.

POWER-DOWN/POWER-UP TIMING



PACKAGE DIMENSION

Unit : mm



ORDERING INFORMATION

H M N 128 8 J - 70 I

