

HEF4952B

8-channel analog multiplexer/demultiplexer

Rev. 01 — 20 March 2006

Product data sheet

1. General description

The HEF4952B is a small signal switch providing a dual 5-channel analog multiplexer/demultiplexer with common select logic. Each multiplexer has four independent inputs/outputs (pins nY0 to nY3) and a common input/output (pin nZ). Via one channel, channel nY2 and nY3 can be connected to V_{SS} .

V_{SS} and V_{DD} are the supply voltage pins for the digital control inputs (pins A0 to A2).

2. Features

- Schmitt-trigger action at control inputs
- Small signal switch
- Specified from -40 °C to $+85\text{ °C}$

3. Applications

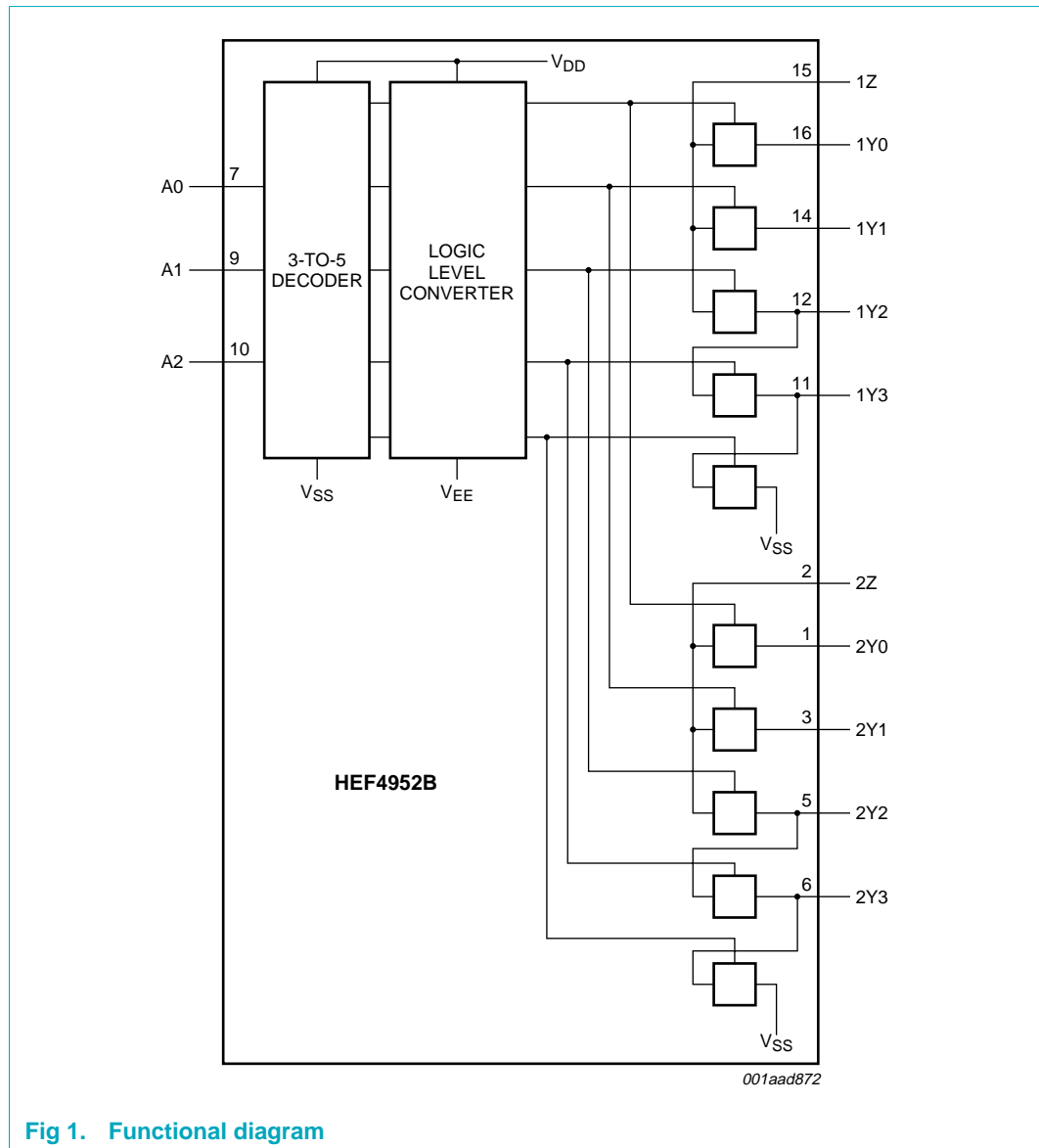
- Analog multiplexing and demultiplexing
- Digital multiplexing and demultiplexing
- Signal gating

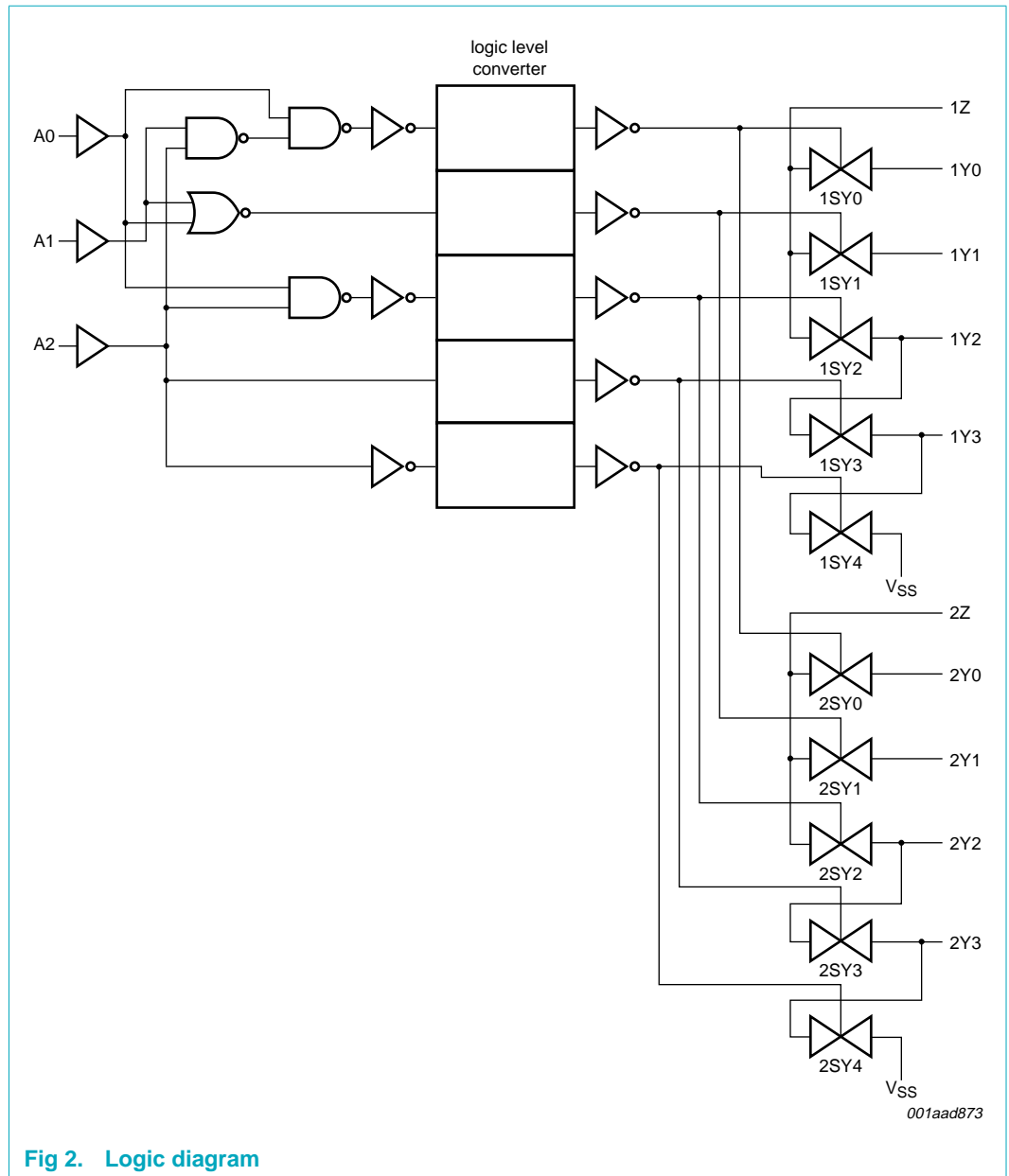
4. Ordering information

Table 1. Ordering information

Type number	Package			
	Temperature range	Name	Description	Version
HEF4952BT	-40 °C to $+85\text{ °C}$	SO16	plastic small outline package; 16 leads; body width 3.9 mm	SOT109-1

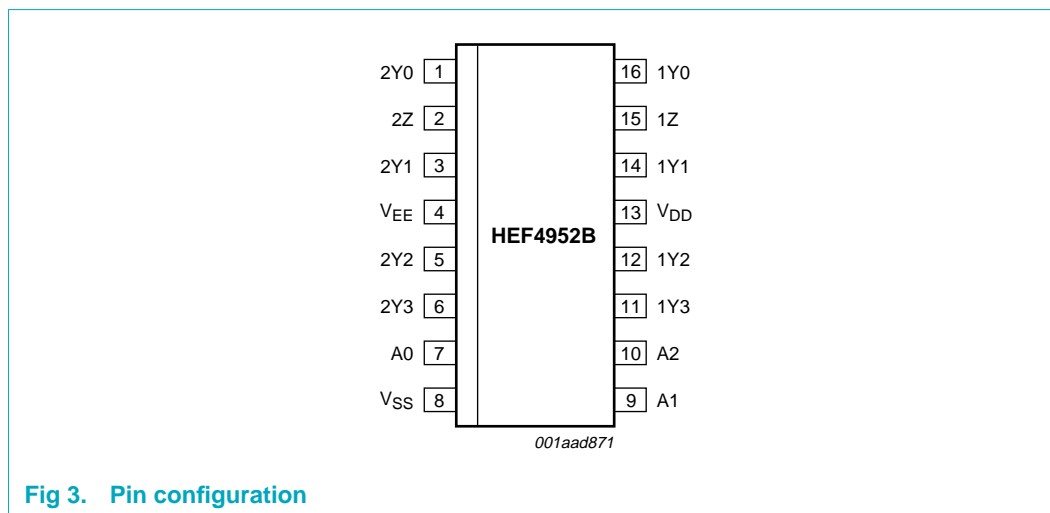
5. Functional diagram





6. Pinning information

6.1 Pinning



6.2 Pin description

Table 2: Pin description

Symbol	Pin	Description
2Y0	1	channel 2 independent input 0 or output 0
2Z	2	channel 2 common input or output
2Y1	3	channel 2 independent input 1 or output 1
V _{EE}	4	supply voltage of switches
2Y2	5	channel 2 independent input 2 or output 2
2Y3	6	channel 2 independent input 3 or output 3
A0	7	address input 0
V _{SS}	8	ground
A1	9	address input 1
A2	10	address input 2
1Y3	11	channel 1 independent input 3 or output 3
1Y2	12	channel 1 independent input 2 or output 2
V _{DD}	13	supply voltage
1Y1	14	channel 1 independent input 1 or output 1
1Z	15	channel 1 common input or output
1Y0	16	channel 1 independent input 0 or output 0

7. Functional description

7.1 Function table

Table 3: Function table

Input			Switch				
A2	A1	A0	nSY0	nSY1	nSY2	nSY3	nSY4
L	L	L	off	on	off	off	on
L	L	H	on	off	off	off	on
L	H	L	off	off	on	off	on
L	H	H	on	off	on	off	on
H	L	L	off	on	off	on	off
H	L	H	on	off	off	on	off
H	H	L	off	off	on	on	off
H	H	H	off	off	off	on	off

8. Limiting values

Table 4: Limiting values

In accordance with the Absolute Maximum Rating System (IEC 60134).

Symbol	Parameter	Conditions	Min	Max	Unit
V_{DD}	quiescent supply voltage		[1] -0.5	+18	V
V_{EE}	supply voltage	referenced to V_{DD}	[1] -18	+0.5	V
V_I	input voltage		-0.5	$V_{DD} + 0.5$	V
I_I	input current		-	± 10	mA
T_{stg}	storage temperature		-65	+150	°C
T_{amb}	ambient temperature		-40	+85	°C
P_{tot}	total power dissipation	$T_{amb} = -40\text{ °C to }+85\text{ °C}$	[2] -	500	mW
P_o	power dissipation per output		-	100	mW

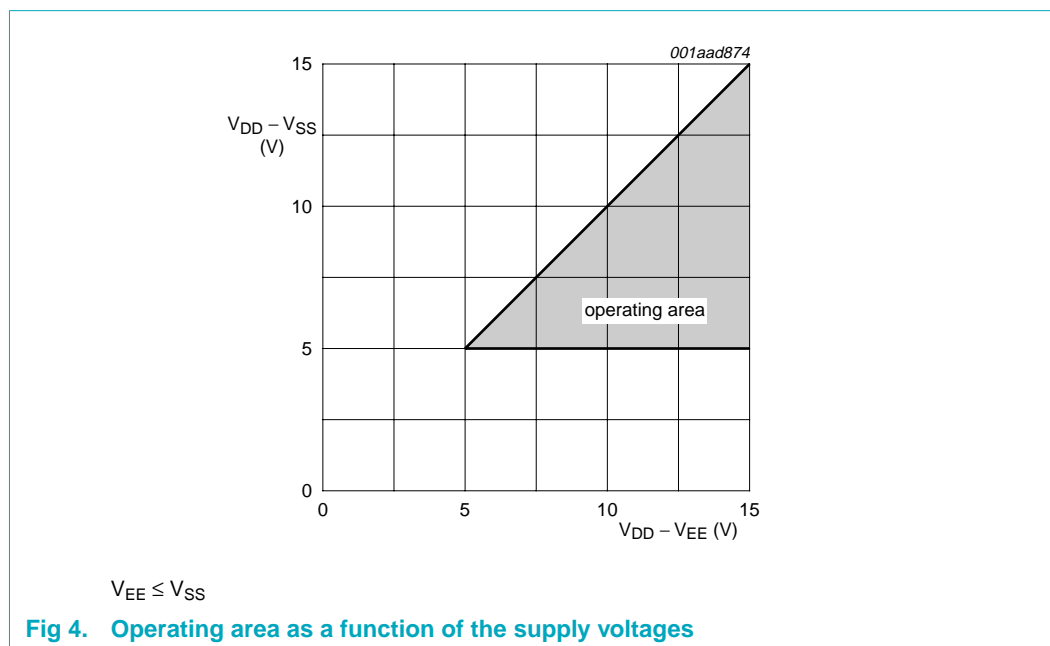
[1] To avoid drawing V_{DD} current out of terminal Z, when switch current flows into terminals Y, the voltage drop across the bidirectional switch must not exceed 0.4 V. If the switch current flows into terminal Z, no V_{DD} current will flow out of terminals Y; in this case there is no limit for the voltage drop across the switch, but the voltages at Y and Z may not exceed V_{DD} or V_{EE} .

[2] P_{tot} derates linearly with 8 mW/K above 70 °C.

9. Recommended operating conditions

Table 5. Recommended operating conditions

Symbol	Parameter	Conditions	Min	Typ	Max	Unit
V_{DD}	supply voltage	see Figure 4	5	-	15	V
V_{EE}	supply voltage	see Figure 4	0	-	-15	V



10. Static characteristics

Table 6: Static characteristics

Voltages are referenced to V_{SS} ($V_{SS} = 0$ V); unless otherwise specified.

Symbol	Parameter	Conditions	$T_{amb} = -40\text{ °C}$		$T_{amb} = 25\text{ °C}$		$T_{amb} = 85\text{ °C}$		Unit
			Min	Max	Min	Max	Min	Max	
I_{DD}	quiescent supply current	all valid input combinations; $V_i = V_{SS}$ or V_{DD} ; $I_O = 0$ A							
		$V_{DD} = 5$ V	-	20	-	20	-	150	μ A
		$V_{DD} = 10$ V	-	40	-	40	-	300	μ A
		$V_{DD} = 15$ V	-	80	-	80	-	600	μ A
I_{LI}	input leakage current	$V_i = 0$ V or 15 V; $V_{DD} = 15$ V	-	0.3	-	0.3	-	1.0	μ A
$I_{L(OZ)}$	3-state output leakage current	$V_{DD} = 15$ V							
		output returned to V_{DD}	-	1.6	-	1.6	-	12.0	μ A
		output returned to V_{SS}	-	-1.6	-	-1.6	-	-12.0	μ A
C_i	input capacitance	digital inputs	-	-	-	7.5	-	-	pF

Table 7: Control input characteristics

Voltages are referenced to V_{SS} ($V_{SS} = 0$ V); unless otherwise specified.

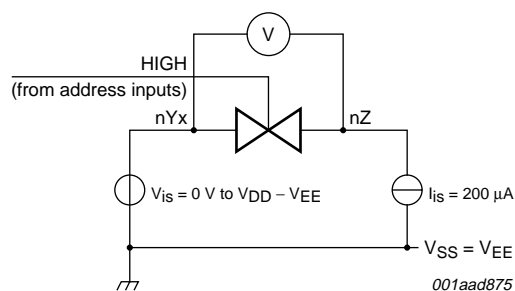
Symbol	Parameter	Conditions	$T_{amb} = 25$ °C		$T_{amb} = -40$ °C to $+85$ °C		Unit
			Min	Max	Min	Max	
V_{T+}	positive-going threshold	$V_{DD} = 5$ V	-	2.90	-	3.00	V
		$V_{DD} = 10$ V	-	4.37	-	4.50	V
V_{T-}	negative-going threshold	$V_{DD} = 5$ V	1.03	-	1.00	-	V
		$V_{DD} = 10$ V	2.10	-	2.00	-	V
V_H	hysteresis ($V_{T+} - V_{T-}$)	$V_{DD} = 5$ V	0.16	-	0.10	-	V
		$V_{DD} = 10$ V	0.11	-	0.10	-	V

Table 8: R_{ON} switch characteristics

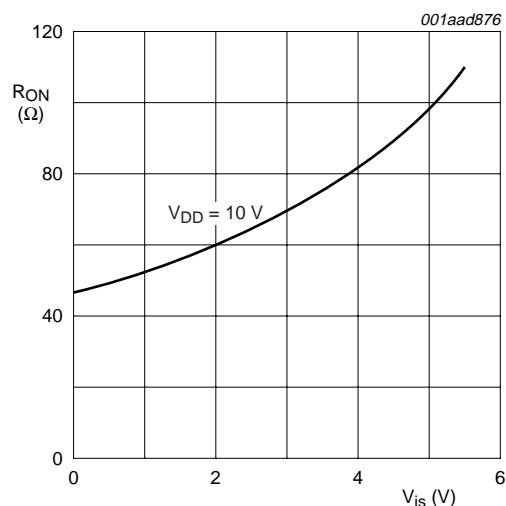
$T_{amb} = 25$ °C; for test conditions see [Figure 5](#).

V_{is} is the input voltage at a Y or Z terminal, whichever is assigned as input.

Symbol	Parameter	Conditions	Min	Typ	Max	Unit
R_{ON}	ON resistance	$V_{DD} - V_{EE} = 10$ V; see Figure 6				
		$V_{is} = 0$ V	-	45	150	Ω
		$V_{is} = 2.5$ V	-	65	170	Ω
		$V_{is} = 5.0$ V	-	110	360	Ω
ΔR_{ON}	ON resistance mismatch between channels	$V_{is} = 2.5$ V; $V_{DD} - V_{EE} = 10$ V	-	10	-	Ω
$I_{L(OFF)}$	OFF-state leakage current	$V_{DD} - V_{EE} = 15$ V	-	-	200	nA



$$R_{ON} = \frac{V}{I_{is}}$$

Fig 5. Test set-up for measuring ON resistance

$I_{is} = 200$ μ A; $V_{SS} = V_{EE} = 0$ V

Fig 6. Typical ON resistance as a function of the input voltage

11. Dynamic characteristics

Table 9. Dynamic characteristics

$V_{EE} = V_{SS} = 0$ V; $T_{amb} = 25$ °C; input transition times ≤ 20 ns; test circuit see [Figure 7](#).

V_{is} is the input voltage at a Y or Z terminal, whichever is assigned as input. V_{os} is the output voltage at a Y or Z terminal, whichever is assigned as output.

Symbol	Parameter	Conditions	Min	Typ	Max	Unit
t _{PHL}	HIGH-to-LOW propagation delay V_{is} to V_{os}	$V_{is} = 1.0$ V (square-wave)				
		$V_{DD} = 5$ V	-	5	-	ns
		$V_{DD} = 10$ V	-	3	6	ns
		$V_{DD} = 15$ V	-	2	-	ns
t _{PLH}	LOW-to-HIGH propagation delay V_{is} to V_{os}	$V_{is} = 1.0$ V (square-wave)				
		$V_{DD} = 5$ V	-	5	-	ns
		$V_{DD} = 10$ V	-	3	6	ns
		$V_{DD} = 15$ V	-	2	-	ns
t _{PZL}	3-state output enable time to LOW-state An to V_{os}	$V_{An} = V_{DD}$ (square-wave); $V_{is} = V_{EE}$				
		$V_{DD} = 5$ V	-	125	-	ns
		$V_{DD} = 10$ V	-	50	100	ns
		$V_{DD} = 15$ V	-	35	-	ns
t _{PZH}	3-state output enable time to HIGH-state An to V_{os}	$V_{An} = V_{DD}$ (square-wave); $V_{is} = 1$ V				
		$V_{DD} = 5$ V	-	125	-	ns
		$V_{DD} = 10$ V	-	50	100	ns
		$V_{DD} = 15$ V	-	35	-	ns
P _D	dynamic power dissipation		[1]	-	-	-

[1] Dynamic power dissipation P_D can be calculated with the following formula (P_D in μ W).

$$P_D = P \times f_i + \Sigma (f_o \times C_L) \times V_{DD}^2$$

Where:

P = 1300 for $V_{DD} = 5$ V; P = 6100 for $V_{DD} = 10$ V; P = 15600 for $V_{DD} = 15$ V;

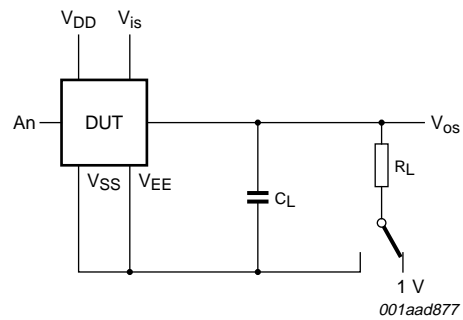
f_i = input frequency in MHz;

f_o = output frequency in MHz;

C_L = output load capacitance in pF;

V_{DD} = supply voltage in V;

$\Sigma(C_L \times f_o)$ = sum of the outputs.



Test data is given in [Table 10](#).

Fig 7. Load circuitry for switching times

Table 10. Test data

Test	Input		Load		Switch position
	An	V_{is}	C_L	R_L	
t_{PHL}	-	1.0 V	50 pF	10 k Ω	V_{EE}, V_{SS}
t_{PLH}	-	1.0 V	50 pF	10 k Ω	V_{EE}, V_{SS}
t_{PZL}	V_{DD}	V_{EE}	50 pF	10 k Ω	1 V
t_{PZH}	V_{DD}	1.0 V	50 pF	10 k Ω	V_{EE}, V_{SS}

12. Package outline

SO16: plastic small outline package; 16 leads; body width 3.9 mm

SOT109-1

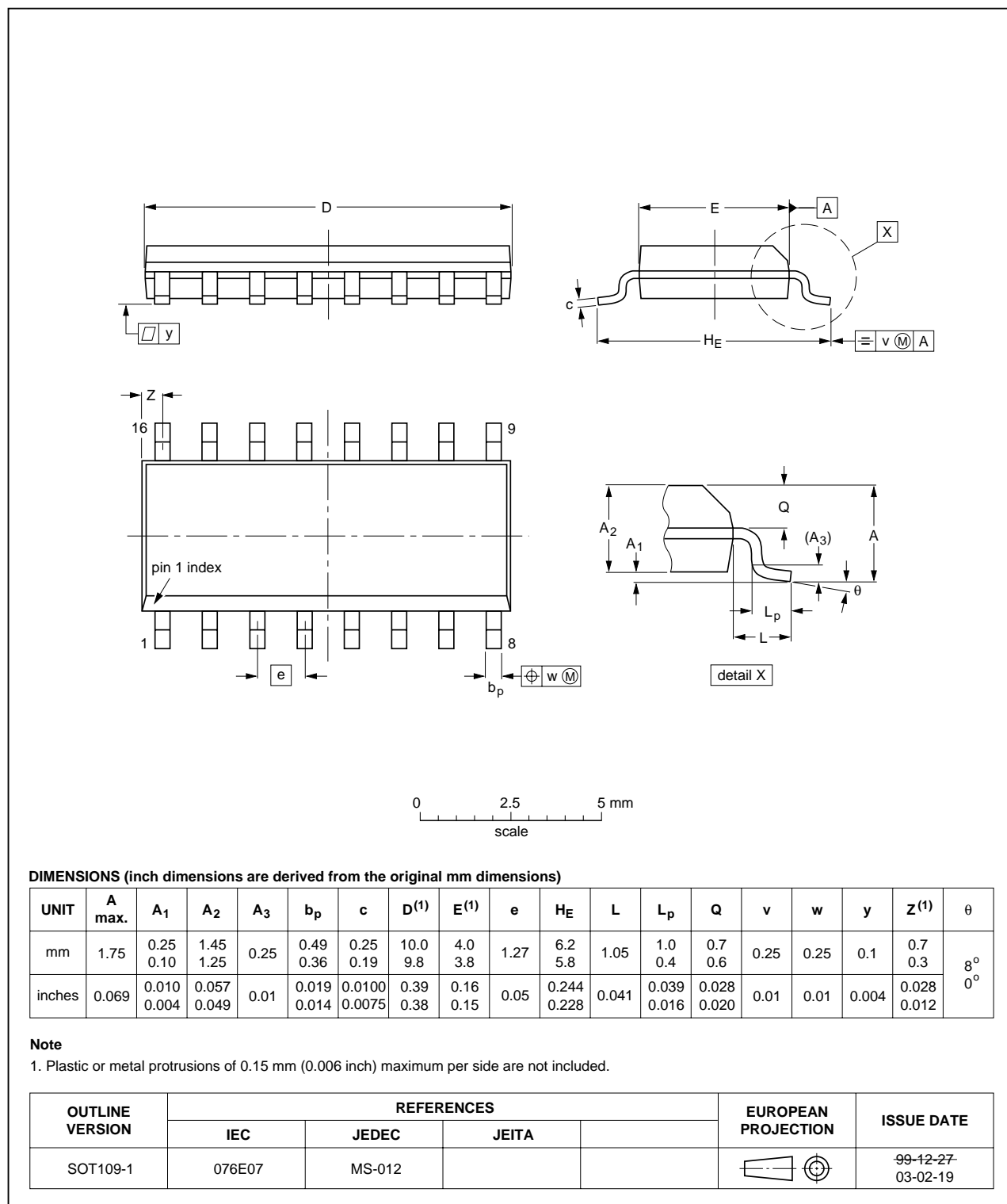


Fig 8. Package outline SOT109-1 (SO16)

13. Revision history

Table 11: Revision history

Document ID	Release date	Data sheet status	Change notice	Supersedes
HEF4952B_1	20060320	Product data sheet	-	-

14. Legal information

14.1 Data sheet status

Document status ^{[1][2]}	Product status ^[3]	Definition
Objective [short] data sheet	Development	This document contains data from the objective specification for product development.
Preliminary [short] data sheet	Qualification	This document contains data from the preliminary specification.
Product [short] data sheet	Production	This document contains the product specification.

[1] Please consult the most recently issued document before initiating or completing a design.

[2] The term 'short data sheet' is explained in section "Definitions".

[3] The product status of device(s) described in this document may have changed since this document was published and may differ in case of multiple devices. The latest product status information is available on the Internet at URL <http://www.semiconductors.philips.com>.

14.2 Definitions

Draft — The document is a draft version only. The content is still under internal review and subject to formal approval, which may result in modifications or additions. Philips Semiconductors does not give any representations or warranties as to the accuracy or completeness of information included herein and shall have no liability for the consequences of use of such information.

Short data sheet — A short data sheet is an extract from a full data sheet with the same product type number(s) and title. A short data sheet is intended for quick reference only and should not be relied upon to contain detailed and full information. For detailed and full information see the relevant full data sheet, which is available on request via the local Philips Semiconductors sales office. In case of any inconsistency or conflict with the short data sheet, the full data sheet shall prevail.

14.3 Disclaimers

General — Information in this document is believed to be accurate and reliable. However, Philips Semiconductors does not give any representations or warranties, expressed or implied, as to the accuracy or completeness of such information and shall have no liability for the consequences of use of such information.

Right to make changes — Philips Semiconductors reserves the right to make changes to information published in this document, including without limitation specifications and product descriptions, at any time and without notice. This document supersedes and replaces all information supplied prior to the publication hereof.

Suitability for use — Philips Semiconductors products are not designed, authorized or warranted to be suitable for use in medical, military, aircraft, space or life support equipment, nor in applications where failure or

malfunction of a Philips Semiconductors product can reasonably be expected to result in personal injury, death or severe property or environmental damage. Philips Semiconductors accepts no liability for inclusion and/or use of Philips Semiconductors products in such equipment or applications and therefore such inclusion and/or use is for the customer's own risk.

Applications — Applications that are described herein for any of these products are for illustrative purposes only. Philips Semiconductors makes no representation or warranty that such applications will be suitable for the specified use without further testing or modification.

Limiting values — Stress above one or more limiting values (as defined in the Absolute Maximum Ratings System of IEC 60134) may cause permanent damage to the device. Limiting values are stress ratings only and operation of the device at these or any other conditions above those given in the Characteristics sections of this document is not implied. Exposure to limiting values for extended periods may affect device reliability.

Terms and conditions of sale — Philips Semiconductors products are sold subject to the general terms and conditions of commercial sale, as published at <http://www.semiconductors.philips.com/profile/terms>, including those pertaining to warranty, intellectual property rights infringement and limitation of liability, unless explicitly otherwise agreed to in writing by Philips Semiconductors. In case of any inconsistency or conflict between information in this document and such terms and conditions, the latter will prevail.

No offer to sell or license — Nothing in this document may be interpreted or construed as an offer to sell products that is open for acceptance or the grant, conveyance or implication of any license under any copyrights, patents or other industrial or intellectual property rights.

14.4 Trademarks

Notice: All referenced brands, product names, service names and trademarks are the property of their respective owners.

15. Contact information

For additional information, please visit: <http://www.semiconductors.philips.com>

For sales office addresses, send an email to: sales.addresses@www.semiconductors.philips.com

16. Contents

1	General description	1
2	Features	1
3	Applications	1
4	Ordering information	1
5	Functional diagram	2
6	Pinning information	4
6.1	Pinning	4
6.2	Pin description	4
7	Functional description	5
7.1	Function table	5
8	Limiting values	5
9	Recommended operating conditions	6
10	Static characteristics	6
11	Dynamic characteristics	8
12	Package outline	10
13	Revision history	11
14	Legal information	12
14.1	Data sheet status	12
14.2	Definitions	12
14.3	Disclaimers	12
14.4	Trademarks	12
15	Contact information	12
16	Contents	13

Please be aware that important notices concerning this document and the product(s) described herein, have been included in section 'Legal information'.



© Koninklijke Philips Electronics N.V. 2006. All rights reserved.

For more information, please visit: <http://www.semiconductors.philips.com>.

For sales office addresses, email to: sales.addresses@www.semiconductors.philips.com.

Date of release: 20 March 2006

Document identifier: HEF4952B_1