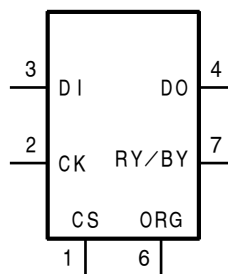
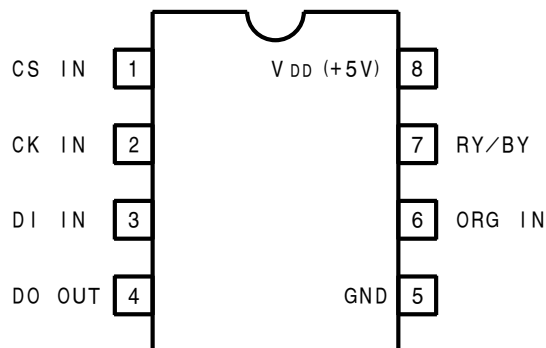

C-MOS 1K-BIT(64x16 /128x8 BIT)SERIAL EEPROM

-TOP VIEW-



CK ; CLOCK INPUT
 CS ; CHIP SELECT INPUT
 DI ; SERIAL DATA INPUT
 DO ; SERIAL DATA OUTPUT
 ORG ; MEMORY ORGANIZATION (64x16 /128x8 BIT)
 RY/BY ; STATUS OUTPUT (READY/ BUSY)

