



LB11691 — Monolithic digital IC Pre-Driver IC for Brushless Motor Drive in Electric Bicycles

Overview

The LB11691 are three-phase bipolar PWM drive pre-driver ICs that allow the output circuits to be implemented using only n-channel FETs. These ICs can implement, at low cost, high-efficiency drive circuits in applications that use motors that require high drive currents. These ICs include a built-in Hall sensor signal F/V conversion circuit and can provide a voltage that is proportional to motor speed for use, for example, in speedometers for electric bicycles. These ICs also support use in applications that holds the speed controlled at a constant rate as the load varies.

Features

- Three-phase bipolar PWM drive (high and low side n-channel FET drive)
- Maximum supply voltage : 45V
- Gate drive voltage : about 10V (high and low side n-channel FETs)
- Hall sensor signal F/V conversion circuit (one-shot multivibrator output)
- Synthesized three-phase Hall sensor signal output
- Built-in current limiter and undervoltage protection circuits

Specifications

Absolute Maximum Ratings at Ta = 25°C

| Parameter | Symbol | Conditions | Ratings | Unit |
|-----------------------------|-----------------------|------------------------------------|---------|------|
| Supply voltage 1 | V _{CC} max | V _{CC} pin | 45 | V |
| Supply voltage 2 | V _B max | V _B pin | 60 | V |
| Output current 1-1 | I _O max1 | UL, VL, and WL pins | 50 | mA |
| Output current 2-1 | I _O max2-1 | UH, VH, and WH pins sink current | 30 | mA |
| Output current 2-2 | I _O max2-2 | UH, VH, and WH pins source current | 40 | mA |
| RF pin application voltage | V _{RF} max | | 4 | V |
| LVS pin application voltage | V _{LVS} max | | 60 | V |

Continued on next page.

■ Any and all SANYO Semiconductor Co.,Ltd. products described or contained herein are, with regard to "standard application", intended for the use as general electronics equipment (home appliances, AV equipment, communication device, office equipment, industrial equipment etc.). The products mentioned herein shall not be intended for use for any "special application" (medical equipment whose purpose is to sustain life, aerospace instrument, nuclear control device, burning appliances, transportation machine, traffic signal system, safety equipment etc.) that shall require extremely high level of reliability and can directly threaten human lives in case of failure or malfunction of the product or may cause harm to human bodies, nor shall they grant any guarantee thereof. If you should intend to use our products for applications outside the standard applications of our customer who is considering such use and/or outside the scope of our intended standard applications, please consult with us prior to the intended use. If there is no consultation or inquiry before the intended use, our customer shall be solely responsible for the use.

■ Specifications of any and all SANYO Semiconductor Co.,Ltd. products described or contained herein stipulate the performance, characteristics, and functions of the described products in the independent state, and are not guarantees of the performance, characteristics, and functions of the described products as mounted in the customer's products or equipment. To verify symptoms and states that cannot be evaluated in an independent device, the customer should always evaluate and test devices mounted in the customer's products or equipment.

LB11691

Continued from preceding page.

| Parameter | Symbol | Conditions | Ratings | Unit |
|-------------------------------|----------------|------------------------|-------------|------|
| IN pin application voltage | V_{IN} max | IN1, IN2, and IN3 pins | V5+0.3 | V |
| RES pin application voltage | V_{RES} max | | V5+0.3 | V |
| TOC pin application voltage | V_{TOC} max | | V5+0.3 | V |
| HSEL pin application voltage | V_{HSEL} max | | V5+0.3 | V |
| F/R pin application voltage | V_{FR} max | | V5+0.3 | V |
| EI+ pin application voltage | V_{EI+} max | | V5+0.3 | V |
| EI- pin application voltage | V_{EI-} max | | V5+0.3 | V |
| RC pin application voltage | V_{RC} max | | V5+0.3 | V |
| FV pin application voltage | V_{FV} max | | V5+0.3 | V |
| HP pin application voltage | V_{HP} max | | 45 | V |
| FAIL pin application voltage | V_{FAIL} max | | 45 | V |
| Allowable power dissipation 1 | P_d max1 | Independent IC | 1.5 | W |
| Allowable power dissipation 2 | P_d max2 | Mounted on a board. * | 2.55 | W |
| Operating temperature | T_{opr} | | -20 to +100 | °C |
| Storage temperature | T_{stg} | | -55 to +150 | °C |

* Mounted on a substrate : 114.3×76.1×1.6mm³, glass epoxy board.

Allowable Operating Conditions at $T_a = 25^\circ\text{C}$

| Parameter | Symbol | Conditions | Ratings | Unit |
|-------------------------------------|--------------|------------------------------------|-------------|------|
| Supply voltage range 1 | V_{CC} | V_{CC} pin | 15 to 42 | V |
| Supply voltage range 2 | V_B | V_B pin | $V_{CC}+13$ | V |
| Output current 1-1 | I_{OUT1-1} | UL, VL, and WL pins sink current | 45 | mA |
| Output current 1-2 | I_{OUT1-2} | UL, VL, and WL pins source current | -45 | mA |
| Output current 2-1 | I_{OUT2-1} | UH, VH, and WH pins sink current | 25 | mA |
| Output current 2-2 | I_{OUT2-2} | UH, VH, and WH pins source current | -35 | mA |
| 12V constant-voltage output current | I_{12REG} | | -30 | mA |
| 5V constant-voltage output current | I_{5REG} | | -30 | mA |
| HP pin application voltage | V_{HP} | | 0 to 42 | V |
| HP pin output current | I_{HP} | | 0 to 5 | mA |
| FAIL pin application voltage | V_{FAIL} | | 0 to 42 | V |
| FAIL pin output current | I_{FAIL} | | 0 to 5 | mA |

Electrical Characteristics $T_a = 25^\circ\text{C}$, $V_{CC} = 36\text{V}$

| Parameter | Symbol | Conditions | Ratings | | | Unit |
|---|---------------------|---|---------|---------|------|-------|
| | | | min | typ | max | |
| Source current | I_{CC} | | | 19 | 24 | mA |
| 5V constant-voltage output (V5 pin) | | | | | | |
| Output voltage | V_{5REG} | $I_O = -5\text{mA}$ | 4.7 | 5.0 | 5.3 | V |
| Voltage fluctuation | ΔV_{5REG1} | $V_{CC} = 15$ to 42V | | 40 | 100 | mV |
| Load fluctuation | ΔV_{5REG2} | $I_O = -5$ to -30mA | | 10 | 30 | mV |
| Temperature coefficient | ΔV_{5REG3} | Design target value * | | 0 | | mV/°C |
| 12 V constant-voltage output (V12 pin) | | | | | | |
| Output voltage | V_{12REG} | $I_O = -5\text{mA}$ | 11.2 | 12.0 | 12.8 | V |
| Voltage fluctuation | ΔV_{12REG1} | $V_{CC} = 15$ to 42V | | 120 | 240 | mV |
| Load fluctuation | ΔV_{12REG2} | $I_O = -5$ to -30mA | | 10 | 30 | mV |
| Temperature coefficient | ΔV_{12REG3} | Design target value * | | 0 | | mV/°C |
| Output Block/Conditions : $U_{OUT} = V_{OUT} = W_{OUT} = 18\text{V}$, $V_B = 48\text{V}$ applied | | | | | | |
| Output H-level voltage 1 | V_{OH1} | UL, VL, and WL pins $I_{OH} = -10\text{mA}$ | V12-1.2 | V12-0.8 | | V |
| Output L-level voltage 1 | V_{OL1} | UL, VL, and WL pins $I_{OL} = 10\text{mA}$ | | 0.8 | 1.2 | V |
| Output H-level voltage 2 | V_{OH2} | UH, VH, and WH pins $I_{OH} = -5\text{mA}$ | 46.8 | 47.2 | | V |
| Output L-level voltage 2 | V_{OL2} | UH, VH, and WH pins $I_{OH} = 5\text{mA}$ | | 18.2 | 18.6 | V |

* : Design target values and not tested.

Continued on next page.

LB11691

Continued from preceding page.

| Parameter | Symbol | Conditions | Ratings | | | Unit |
|---|------------------------|---|----------------------|----------------------|--------|------------------|
| | | | min | typ | max | |
| Charge pump output (VB pin) | | | | | | |
| Output voltage | V _{BOUT} | | 46.0 | 48.0 | 50.5 | V |
| CP1 pin | | | | | | |
| Output H-level voltage | V _{OH} (CP1) | ICP1 = -2mA | V _{CC} -1.9 | V _{CC} -1.4 | | V |
| Output L-level voltage | V _{OL} (CP1) | ICP1 = 2mA | | 1.5 | 2.0 | V |
| Integrating amplifier | | | | | | |
| Input offset voltage | V _{IO} (CONT) | | -10 | | 10 | mV |
| Input bias current | I _B (CONT) | | -1 | | 1 | μA |
| Common-phase input voltage range | V _{ICM} | | 0 | | V5-1.7 | V |
| Output H-level voltage | V _{OH} (CONT) | ITOC = -0.2mA | V5-1.1 | V5-0.8 | | V |
| Output L-level voltage | V _{OL} (CONT) | ITOC = 0.2mA | | 0.8 | 1.1 | V |
| Open loop gain | | f (CONT) = 1kHz | 45 | 51 | | dB |
| PWM oscillator (PWM pin) | | | | | | |
| Output H-level voltage | V _{OH} (PWM) | | 2.75 | 3.0 | 3.25 | V |
| Output L-level voltage | V _{OL} (PWM) | | 1.0 | 1.2 | 1.3 | V |
| External C charge current | I _{CHG} | VPWM = 2.1V | -35 | -25 | -19 | μA |
| Oscillation frequency | f (PWM) | C = 270pF | 29 | 36 | 44 | kHz |
| Amplitude | V (PWM) | | 1.6 | 1.8 | 2.1 | V _{p-p} |
| TOC pin | | | | | | |
| Input voltage 1 | V _{TOC1} | Output duty 100% | 2.72 | 3.0 | 3.30 | V |
| Input voltage 2 | V _{TOC2} | Output duty 0% | 0.99 | 1.2 | 1.34 | V |
| Input voltage 1L | V _{TOC1L} | Design target value*, 100% at V5 = 4.7V | 2.72 | 2.80 | 2.90 | V |
| Input voltage 2L | V _{TOC2L} | Design target value*, 0% at V5 = 4.7V | 0.99 | 1.08 | 1.17 | V |
| Input voltage 1H | V _{TOC1H} | Design target value*, 100% at V5 = 5.3V | 3.08 | 3.20 | 3.30 | V |
| Input voltage 2H | V _{TOC2H} | Design target value*, 0% at V5 = 5.3V | 1.11 | 1.22 | 1.34 | V |
| Current limiting circuit (RF pin) | | | | | | |
| Limiter voltage | V _{RF} | | 85 | 100 | 115 | mV |
| Low-voltage protective circuit (LVS pin) | | | | | | |
| Operating voltage | V _{SDDL} | | 3.65 | 3.85 | 4.05 | V |
| Cancellation voltage | V _{SDDH} | | 4.15 | 4.35 | 4.55 | V |
| Hysteresis width | ΔV _{SDD} | | 0.35 | 0.5 | 0.65 | V |
| Heat shielding operation (overheat protection circuit) | | | | | | |
| Heat shielding operation temperature | T _{SD} | Design target value* (junction temperature) | 150 | 170 | | °C |
| Hysteresis width | ΔT _{SD} | Design target value* (junction temperature) | | 40 | | °C |
| CSD circuit (CSD pin) | | | | | | |
| Output H-level voltage | V _{OH} (CSD) | | 3.2 | 3.6 | 4.0 | V |
| Output L-level voltage | V _{OL} (CSD) | | 0.9 | 1.1 | 1.3 | V |
| External C charge current | I _{CHG1} | VCSD = 2.35V | -14 | -10 | -6 | μA |
| External C discharge current | I _{CHG2} | VCSD = 2.35V | 7 | 11 | 15 | μA |
| Oscillation frequency | f (CSD) | C = 0.01μF | | 180 | | Hz |
| Amplitude | V (CSD) | | 2.2 | 2.5 | 2.75 | V _{p-p} |
| Reset circuit (RES pin) | | | | | | |
| Reset operating voltage | V _{RESL} | | 1.17 | 1.27 | 1.37 | V |
| Reset canceling voltage | V _{RESH} | | 1.37 | 1.5 | 1.63 | V |
| Hysteresis width | ΔV _{RES} | | 0.20 | 0.23 | 0.26 | V |
| HP pin | | | | | | |
| Output saturation voltage | V _{HPL} | I _O = 3mA | | 0.15 | 0.5 | V |
| Output leak current | I _{HPL} leak | V _{HP} = 42V | | | 10 | μA |

* : Design target values and not tested.

Continued on next page.

LB11691

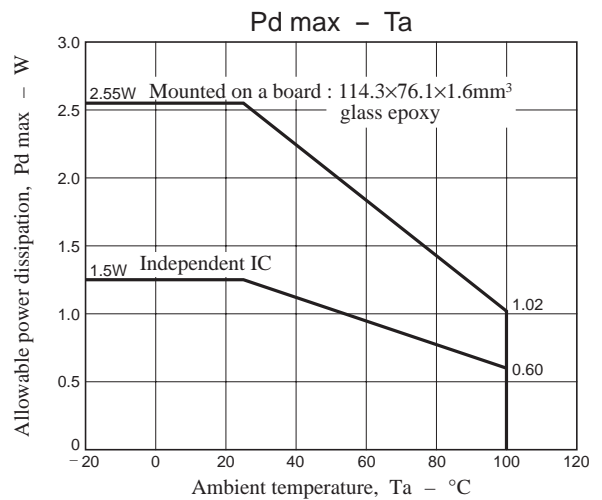
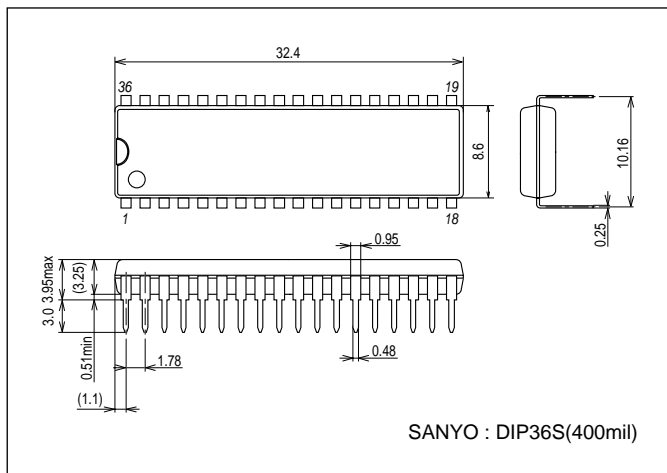
Continued from preceding page.

| Parameter | Symbol | Conditions | Ratings | | | Unit |
|-------------------------------|-----------------------|-------------------------|---------|------|------|------|
| | | | min | typ | max | |
| FAIL pin | | | | | | |
| Output saturation voltage | V _{FLL} | I _O = 3mA | | 0.15 | 0.5 | V |
| Output leak current | I _{FLL} leak | V _{FAIL} = 42V | | | 10 | μA |
| RC pin | | | | | | |
| Output H-level voltage | V _{OH} (RC) | | 3.22 | 3.5 | 3.78 | V |
| Output L-level voltage | V _{OL} (RC) | | 0.72 | 0.8 | 0.88 | V |
| Clamp voltage | V _{CLP} (RC) | | | 1.5 | | V |
| FV pin | | | | | | |
| Charge current | I _{CHG1} | V _{FV} = 2.5V | -420 | -300 | -230 | μA |
| Discharge current | I _{CHG2} | V _{FV} = 1V | 1.3 | 2.5 | 5.0 | mA |
| IN1, IN2, and IN3 pins | | | | | | |
| H-level input voltage | V _{IH} (IN) | | 4.0 | | V5 | V |
| L-level input voltage | V _{IL} (IN) | | 0 | | 2.5 | V |
| Input open voltage | V _{IO} (IN) | | V5-0.5 | | V5 | V |
| Hysteresis width | V _{IS} (IN) | | 0.55 | 0.9 | 1.25 | V |
| H-level input current | I _{IH} (IN) | V _{IN} = V5 | -10 | 0 | 10 | μA |
| L-level input current | I _{IL} (IN) | V _{IN} = 0V | | -500 | | μA |
| F/R pin | | | | | | |
| H-level input voltage | V _{IH} (FR) | | 2.0 | | V5 | V |
| L-level input voltage | V _{IL} (FR) | | 0 | | 1.0 | V |
| Input open voltage | V _{IO} (FR) | | 2.6 | 2.9 | 3.2 | V |
| Hysteresis width | V _{IS} (FR) | | 0.16 | 0.25 | 0.34 | V |
| H-level input current | I _{IH} (FR) | V _{F/R} = V5 | | 100 | 130 | μA |
| L-level input current | I _{IL} (FR) | V _{F/R} = 0V | -170 | -130 | | μA |
| HSEL pin | | | | | | |
| H-level input voltage | V _{IH} (HSL) | | 2.0 | | V5 | V |
| L-level input voltage | V _{IL} (HSL) | | 0 | | 1.0 | V |
| Input open voltage | V _{IO} (HSL) | | 2.6 | 2.9 | 3.2 | V |
| H-level input current | I _{IH} (HSL) | V _{HSEL} = V5 | | 100 | 130 | μA |
| L-level input current | I _{IL} (HSL) | V _{HSEL} = 0V | -170 | -130 | | μA |

Package Dimensions

unit : mm (typ)

3170A



LB11691

Three-phase logic truth table

(1)120° (HSEL = "L")

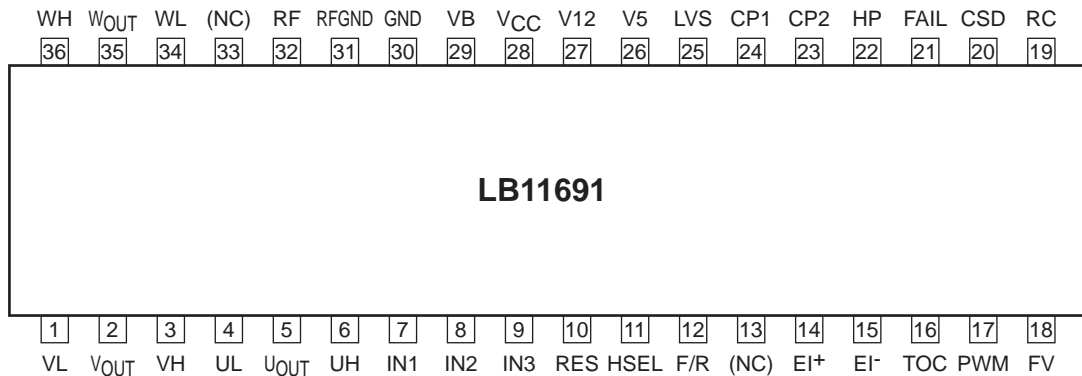
| | F/R = "L" | | | F/R = "H" | | | Upper side gate | Lower side gate | HP |
|---|-----------|-----|-----|-----------|-----|-----|-----------------|-----------------|----|
| | IN1 | IN2 | IN3 | IN1 | IN2 | IN3 | | | |
| 1 | H | L | H | L | H | L | VH | UL | H |
| 2 | H | L | L | L | H | H | WH | UL | L |
| 3 | H | H | L | L | L | H | WH | VL | H |
| 4 | L | H | L | H | L | H | UH | VL | L |
| 5 | L | H | H | H | L | L | UH | WL | H |
| 6 | L | L | H | H | H | L | VH | WL | L |

(2)60° (HSEL = "H")

| | F/R = "L" | | | F/R = "H" | | | Upper side gate | Lower side gate | HP |
|---|-----------|-----|-----|-----------|-----|-----|-----------------|-----------------|----|
| | IN1 | IN2 | IN3 | IN1 | IN2 | IN3 | | | |
| 1 | H | H | H | L | L | L | VH | UL | H |
| 2 | L | H | H | H | L | L | WH | UL | L |
| 3 | L | L | H | H | H | L | WH | VL | H |
| 4 | L | L | L | H | H | H | UH | VL | L |
| 5 | H | L | L | L | H | H | UH | WL | H |
| 6 | H | H | L | L | L | H | VH | WL | L |

- The condition with the upper gate = VH and the lower gate = UL corresponds to a state in which the upper FET is turned ON when the VH pin is connected and the lower FET is turned ON when the UL pin is connected.
- The HP output is an open collector output. Therefore, "H" level corresponds to an open state.

Pin Assignment



Top view

LB11691

Pin Functions

| Pin No. | Pin Name | Description |
|--------------|----------------------|---|
| 1 4 34 | VL UL WL | Lower Nch power FET gate drive output pins. |
| 2 5 35 | VOUT UOUT WOUT | Upper Nch power FET source voltage detection pins. |
| 3 6 36 | VH UH WH | Upper Nch power FET gate drive output pin. |
| 7 8 9 | IN1 IN2 IN3 | Hall input pins. A capacitor is connected for stabilization between these pins and GND. |
| 10 | RES | Reset pin. A resistor is connected between this pin and V5 while a capacitor is connected between this pin and GND. |
| 11 | HSEL | Reset pin. Connect the resistance between this pin and V5 and the capacitor between this pin and GND. |
| 12 | F/R | Pin for changeover of the phase difference of three-phase Hall input (120° and 60°). HSEL = "L" 120°, HSEL = "H" 60° |
| 14 | EI+ | Integrating amplifier non-inverted input pin. |
| 15 | EI- | Integrating amplifier inverted input pin. |
| 16 | TOC | PWM waveform comparison pin (integrating amplifier output pin). |
| 17 | PWM | PWM oscillation frequency set pin. Connect a capacitor between this pin and GND. |
| 18 | FV | Hall signal one-shot multi-pulse output. |
| 19 | RC | One-shot multi-pulse width set pin. A resistor is connected between this pin and V5 while a capacitor is connected between this pin and GND. |
| 20 | CSD | Pin to set the operation time of the lock protection circuit. Connect the capacitor between this pin and GND. |
| 21 | FAIL | Open collector output, with the output being "L" in following cases : Abnormal Hall input, activation of the low-voltage protection circuit, activation of the lock protection circuit, and activation of the overheat protection circuit. |
| 22 | HP | Hall signal three-phase composite output pin (open collector output). |
| 23 24 | CP2 CP1 | Charge pump capacitor output pin. A capacitor is connected between CP1 and CP2. |
| 25 | LVS | Low-voltage protective voltage detection pin. A Zener diode is connected in series to set the detection voltage when the supply voltage of 5V or more is to be detected. |
| 26 | V5 | 5V power pin (control circuit power supply). A capacitor is connected between this pin and GND. |
| 27 | V12 | 12V power pin (UL, VL, and WL output power supply). A capacitor is connected between this pin and GND. |
| 28 | V _{CC} | Power pin. A capacitor is connected for stabilization between this pin and GND. |
| 29 | VB | Charge pump output pins (UH, VH, and WH output power supply). A capacitor is connected between this pin and V _{CC} . |
| 30 | GND | GND pin. |
| 31 | RFGND | GND sensing pin, which is connected to the GND side of low-resistance RF connected to the RF pin. |
| 32 | RF | Output current detection pin. Low-resistance RF is connected between RF and GND. The output current is limited to the value set with $I_{OUT} = 0.1/RF$. (Current limiting circuit) |
| 13 33 | NC | These can be used as wiring because they are not connected with the internal parts. |

LB11691

Pin Description

| Pin No. | Pin Name | Description | Equivalent Circuit |
|--------------|----------------------|--|--------------------|
| 1 4 34 | VL UL WL | Output pin (Gate driving output pin of lower Nch power FET) For duty control | |
| 2 5 35 | VOUT UOUT WOUT | Voltage detection pin (Source voltage detection pin of upper Nch power FET) | |
| 3 6 36 | VH UH WH | Output pin (Gate driving output pin of lower Nch power FET) | |
| 7 8 9 | IN1 IN2 IN3 | Hall input pin "H" in the open condition. Connect a capacitor to GND for stabilization. | |
| 10 | RES | Reset pin | |
| 11 | HSEL | Pin to change over the phase difference of three-phase Hall input HSEL = "L" 120° HSEL = "H" 60° | |

Continued on next page.

LB11691

Continued from preceding page.

| Pin No. | Pin Name | Description | Equivalent Circuit |
|---------|----------|---|--------------------|
| 12 | F/R | Forward/backward input pin | |
| 14 | EI+ | Integrating amplifier non-inverted input pin | |
| 15 | EI- | Integrating amplifier inverted input pin | |
| 16 | TOC | Integrating amplifier output pin (PWM waveform comparison pin) | |
| 17 | PWM | Pin to set the PWM oscillation frequency. Connect a capacitor between this pin and GND. | |
| 18 | FV | Hall signal one-shot multi-pulse output pin | |

Continued on next page.

LB11691

Continued from preceding page.

| Pin No. | Pin Name | Description | Equivalent Circuit |
|---------|----------|--|--------------------|
| 19 | RC | One-shot multi-pulse width setting pin Connect a resistor between this pin and V5 and a capacitor between this pin and GND. | |
| 20 | CSD | Pin to set the PWM oscillation frequency. Connect a capacitor between this pin and GND. | |
| 21 | FAIL | Open collector output, with the output being "L" in following cases : Abnormal Hall input, activation of the low-voltage protection circuit, activation of the lock protection circuit, and activation of the overheat protection circuit | |
| 22 | HP | Hall signal three-phase composite output pin (Open collector output) | |
| 23 | CP2 | Charge pump capacitor connection pin Connect a capacitor between CP1 and CP2. | |
| 24 | CP1 | | |

Continued on next page.

LB11691

Continued from preceding page.

| Pin No. | Pin Name | Description | Equivalent Circuit |
|---------|-----------------|--|--------------------|
| 25 | LVS | Low-voltage protective voltage detection pin When the 5V or more supply voltage is to be detected, connect Zener diode in series and set the detection voltage. | |
| 26 | V5 | Stabilization power supply output pin (5V output) Connect a capacitor (about 0.1μF) between this pin and GND for stabilization | |
| 27 | V12 | Stabilization power supply output pin (12V output) Connect a capacitor (about 0.1μF) between this pin and GND for stabilization. | |
| 28 | V _{CC} | Power pin Connect a capacitor (about 0.1μF) between this pin and GND for stabilization | |
| 29 | VB | Charge pump output pin (UH, VH, and WH output power supply) Connect a capacitor between this pin and V _{CC} . | |
| 30 | GND | GND pin | |
| 31 | RF GND | Connected to GND of external R _f resistor. | |

Continued on next page.

LB11691

Continued from preceding page.

| Pin No. | Pin Name | Description | Equivalent Circuit |
|----------|----------|--|--------------------|
| 32 | RF | Output current detection pin. Connect the low resistance Rf between this pin and GND. Set with the output maximum current $I_{OUT} = 0.1/R_f$. | |
| 13 33 | NC | These can be used as wiring because they are not connected with the internal parts. | |

Description of LB11691

1. Output drive circuit

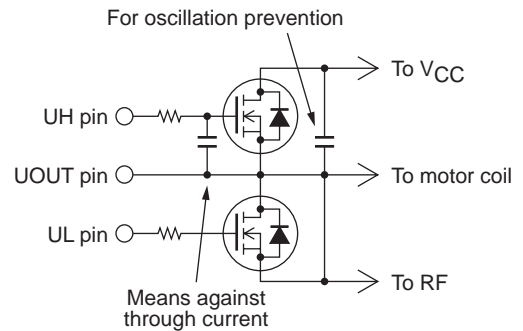
This IC is designed on the prerequisite that NchFET is used for both upper and lower outputs. To minimize power loss at the output, the direct PWM drive method is used. Output Tr is normally saturated at ON and the motor drive power is adjusted by changing the ON-duty of the output. PWM switching of the output is made on the lower output side to which UL, VL, and WL pins are connected. Diode built into the upper output FET on the non-PWM side should be selected with care because the reverse recovery time is important (the through current flows in an instant when the PWM side Tr is turned ON if the diode with the short reverse recovery time is not used).

Near each three-phase output FET, provide a capacitor to prevent high-frequency oscillation (about 0.1μF) because of substrate pattern routing.

If the switching speed of FET is so high as to cause a problem, insert a series resistor to the gate to adjust the speed. Through current may flow if the ON speed of lower FET on the PWM side is too fast.

However, insertion of excessively large resistor in the gate may make the gate waveform dull and the gate voltage may be deficient when the PWM on-duty is small, resulting in heat generation or damage of the lower FET. The same phenomena occur if the FET gate capacity is large even when the resistor has not been inserted. In this case, it is necessary to limit the minimum duty to be used by taking into account ASO of the switching element to be used.

Depending on FET to be used, the through current may flow when the PWM on-duty is small. As a countermeasure, a capacitor may be inserted between the gate and source of upper FET. Note that insertion of a capacitor with excessively high capacitance may delay switching too much, resulting in heat generation in the upper FET.



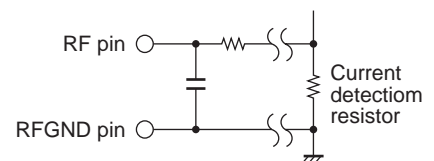
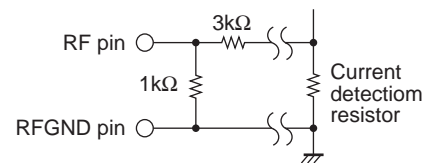
2. Current limiting circuit

The current limiting circuit limits the current to the value determined by $I = V_{RF}/R_f$ ($V_{RF} = 0.1V_{typ}$, R_f : current detection resistance) (that is, the peak current is limited). Current is limited by decreasing on-duty of the output.

Connection of RF and RFGND pins to both ends near the current detection resistor ensures operation with the correct current limiting value.

When the current detection resistor with extremely small resistance is to be used, the pattern design must be such as to ensure the equal wiring resistance component by substrate pattern for all phases as much as possible. If the wiring resistance component varies among phases, the current limit value fluctuates each time the shift is changed, resulting in vibration or noise in the motor.

The reference voltage has been set to 0.1V_{typ} to minimize the power of current detection resistor. In certain applications, enter the voltage divided by the resistor into RF pin when the current detection resistance is to be increased. For the resistance ratio shown in the figure right, the detection current value may be increased by about four times.



The current limiting circuit has a filter circuit so that erroneous current limiting is not made when the circuit detects the reverse recovery current of the output diode because of PWM operation. In the normal application, the internal filter circuit is allowed. If erroneous limiting occurs (if the reverse recovery current of diode flows for 1μS or more), it is necessary to add the external filter circuit (R and C low-path filter). Note also that excessive delay may cause delay in detection of current limiting.

3. PWM oscillation circuit

The PWM frequency is determined from a capacitor capacity C (F) to be connected to the PWM pin :

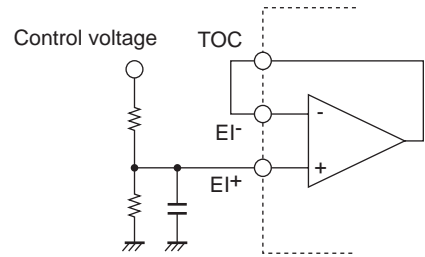
$$f_{PWM} \approx 1 / (102000 \times C)$$

Connection of a 270pF capacitor causes oscillation of about 36kHz. Excessively low PWM frequency causes a switching sound from the motor while excessively high PWM frequency causes increase in the power loss at output. Therefore, the PWM frequency of about 20k to 50kHz would be acceptable. Wire GND of a capacitor to be connected as much near as possible to the GND pin of IC to prevent effects of output noise.

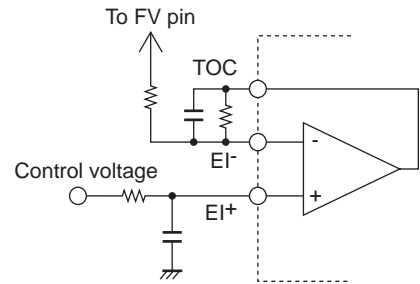
4. Control method

The output duty is determined from comparison between the PWM oscillation waveform and TOC pin voltage. The duty becomes 0% when the TOC pin voltage is about 1.2V or less and 100% when the pin voltage is about 3.0V or more.

Normally, the integrating amplifier is used as a full return amplifier (EI- pin and TOC pin connected) and the control voltage is entered to EI+ pin. (The output duty increases with increasing EI+ pin voltage.) At resetting with the RES pin, the EI+ pin is lowered approximately to the GND voltage by IC internal TR (for capacitor discharge). Therefore, always enter the voltage via resistor, instead of direct connection of the low-impedance power. Also connect a pull-down resistor between the EI+ pin and GND to prevent the motor from being driven when the control voltage is open. When the control voltage contains noise or in order to suppress sudden fluctuation of the control voltage, connect a capacitor between the EI+ pin and GND to remove the noise. The operating voltage range of control input can be widened by entering the voltage divided by the resistor into the EI+ pin, as shown in the figure right.



To perform control while keeping the rotation speed constant to a certain degree under load fluctuation, the speed control circuit with FV pin output may be formed as shown in the right. Select a 25kΩ or more resistance to be inserted between FV and EI- pins. Select the return capacitor capacity so that the TOC pin voltage is sufficiently stable at low speed.



5. Charge pump circuit

The voltage is raised by the charge pump circuit, generating the gate voltage of upper output FET. The voltage is raised by a capacitor CP connected between CP1 and CP2 pins, accumulating the charge in the capacitor CB between VB and VCC pins. The capacitance value of CP and CB must always have the following relationship :

$$CB \geq 4 \times CP$$

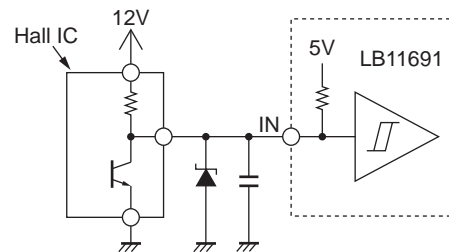
CP capacitor charge and discharge are made on the basis of PWM cycle. Though the VB power supply current capacity increases with increasing capacity of the CP capacitor, excessively large capacity may cause faulty charge/discharge operation. The VB voltage becomes more stable when the CB capacitor capacity is larger, but excessively large capacity causes longer time of VB voltage generation at a time of power ON. Set the capacity of CP and CB by referring to the table below.

When the VCC voltage decreases below 20V, the current capacity of VB power supply deteriorates suddenly, causing drop of VB voltage. Therefore, due care must be taken when designing.

| V _{CC} voltage | 24V | 36V |
|-------------------------|-------|--------|
| CP | 0.1μF | 6800pF |
| CB | 1μF | 0.47μF |

6. Hall input signal

Connect the Hall IC output to the Hall input. As an about 10kΩ pull-up resistor is incorporated for the 5V regulator, it is normally not necessary to connect the pull-up resistor externally. If the Hall IC with built-in pull-up resistor is used, it is enough to use the Hall IC power supply with 5V. If the Hall IC power supply is to be used with 12V, it is necessary to add the pull-down resistor or voltage clamp Zener diode to prevent application of voltage of 5V or more to the Hall input.



The input is a comparator input with about 0.9V hysteresis width. If the noise presents problem, connect a noise removing capacitor between the input and GND.

When three inputs of Hall input signal are in the same input condition, both upper and lower outputs are turned OFF.

7. Low-voltage protective circuit

The low-voltage protective circuit performs detection using the voltage applied to the LVS pin and turns OFF all drive outputs when the voltage drops below the operating voltage (3.85V_{typ}). The circuit has hysteresis to prevent repetition of ON/OFF near the protected operating voltage. The output is not recovered when the voltage does not rise by about 0.5V above the operating voltage. In the protection operation, the RES pin voltage becomes “L” too.

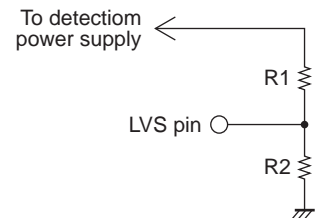
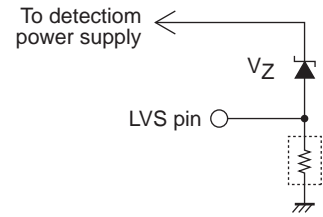
The protection operating voltage is based on the 5V system detection level. To raise the detection level, connect Zener diode in series to the LVS pin and shift the detection level (detection voltage = 3.85V_{typ}+V_Z). The LVS pin inrush current at detection is about 62μA. If it is necessary to stabilize rise of the Zener diode voltage and to suppress fluctuation of the Zener voltage, insert a resistor between LVS pin and GND to increase the diode current. The detection voltage may also be raised, without using Zener diode, by resistive potential division. When connection as shown in the right is made ;

$$\text{Detection voltage} \approx ((3.85 \div R2) + 62\mu\text{A}) \times (R1+R2)$$

$$\text{Cancellation voltage} \approx ((4.35 \div R2) + 70\mu\text{A}) \times (R1+R2)$$

With R1 = 13kΩ and R2 = 2.2kΩ, the detection voltage becomes about 28V while the cancellation voltage becomes about 32V. Pay due attention when raising R2 because the error of detection voltage may increase because of temperature and variance.

When the protective circuit is not to be used, do not open the LVS pin (output OFF when this is opened) and apply the voltage on an inoperative level.



8. RES circuit

Apply initial reset with the RES pin to ensure stable operation at power ON. Initial reset includes the following operations :

- All drive outputs OFF
- EI+ pin voltage at “L”
- FV pin voltage at “L”

Normally, connect a resistor and capacitor between RES and V5 pins and between these pins and GND respectively and set the reset time. Use a 2.7kΩ or more resistor. Set so that the time constant becomes $R \times C \geq 1\text{m}$ (0.1μF or more if this is 10kΩ). If the charge of a capacitor connected to EI+ or FV pin must be completely discharged, set the reset time by taking into account the discharge time of these pins. It is also recommended to set the reset time longer than the time necessary for stabilization of the VB voltage at power ON.

In addition to initial reset, reset may be applied when the control voltage is low as shown in Fig. 1 in the right. In this case, all drive outputs can be turned OFF when the control voltage becomes about 0.67V(1.27V - V_{BE}). The reset cancellation voltage is about 0.9V (0.67V+0.23V). If only the control voltage is 0% duty (1.2V or less), the motor is braked when driven in the reverse direction. This is an effective application when braking is not necessary during reverse drive. If the control voltage cannot be decreased to 1V or less, application as shown in Fig. 3 may be used.

Heat detection with thermistor may also be considered to prevent thermal breakdown of output FET. Connect as shown in Fig. 2 in the right and adjust the external resistance, and the protective operation can be done. Fig. 4 shows a combination of this application with thermistor and an application shown in Fig. 3.

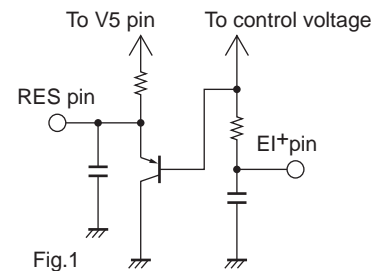


Fig.1

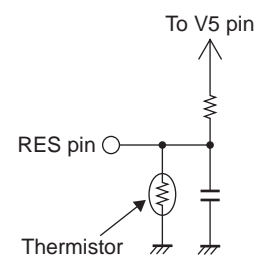


Fig.2

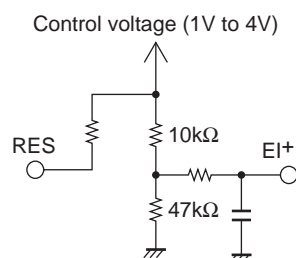


Fig.3

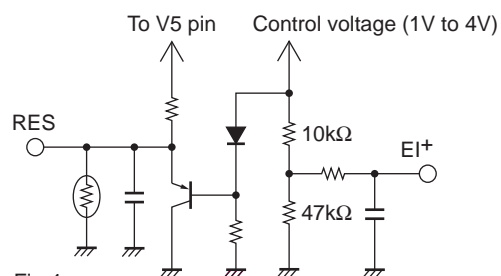


Fig.4

9. RC and FV circuits

The RC pin is to set the pulse width (“H” time) generated in the FV pin for both edges of HP signal (Hall three-phase composite signal). Connect a resistor and capacitor between RS and VE pins and between this pin and GND respectively and set the pulse width. The pulse width TRC can be approximated by the following equation.

$$TRC (S) \approx 1.1 \times R \times C$$

Connect the smoothing circuit comprising a resistor and capacitor, as shown in the right, to the FV pin. Select the 25kΩ or more resistor. The capacitor must have the capacitance ensuring sufficient smoothing of FV voltage when the motor rotation speed is low.

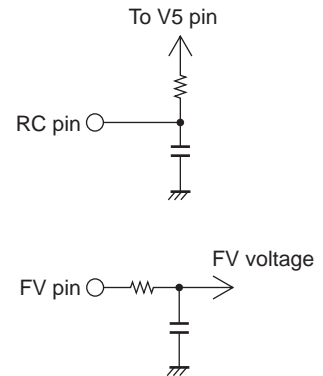
Assume that the HP signal frequency at the maximum motor speed is fHP (Hz). Set so that the following equation is established :

$$TRC (S) \leq 1 \div (2 \times fHP)$$

In this case, the FV voltage changes from 0 to about 5V according to the motor speed.

The FV voltage can be used as a signal for speed meter indication of analog or level meter IC or speed return.

If FV output is not to be used, connect the RC pin to GND and keep the FV pin open.



10. Power stabilization

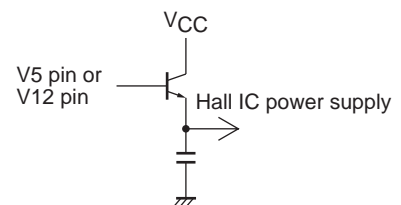
This IC is of a switching drive type, causing a state in which the power line is readily displaced. It is therefore necessary to connect the capacitor with sufficient capacity between the VCC pin and GND for stabilization.

When a diode is to be inserted into the power line to prevent breakdown due to reverse connection of power supply, the power line tends to be displaced readily. It is therefore necessary to select the larger capacity.

11. Stabilizing the regulator output voltage

Connect the capacitor of 0.1μF or more between V5 pin (5V : control circuit power supply) or V12 pin (12V : lower drive output circuit power supply) and GND. Wire the capacitor GND as near to IC GND pin as possible.

Each output can output the current of 30mA or less to the outside of IC. Due care must be taken however because IC heat generation increases. If this is used in the Hall IC power supply and presents a problem of heat generation, connect Tr as shown in the right so that Tr receives heat generation.



12. Lock protection circuit

The lock protection circuit is incorporated to protect IC and motor when the motor is locked. When the Hall input signal is not changed over for a certain period while the motor is being driven, the output on one side (UL, VL, WL) is turned OFF. The time is set with the capacitor capacitance connected to the CSD pin.

$$\text{Set time (s)} \approx 30 \times C (\mu F)$$

Connection of the 0.01μF capacitor ensures the protection period of about 0.3 seconds (the drive is turned OFF when one cycle of Hall input signal exceeds this set time). Be sure to set the time with sufficient allowance, so that the protection circuit is not activated at normal motor startup. For the capacitor, use 4700pF or more. To cancel the lock protection state, take any one of following steps :

- Resetting,
- Maintaining the output duty 0% state by TOC input for the period of tCSD × 2,
- Re-applying the power.

13. Forward/backward operation

For forward/backward changeover during running, the measure is taken to prevent through current at the output (through current caused by the output Tr OFF delay time at a time of changeover). However, changeover during running causes the current exceeding the current limit to flow through the output Tr due to the motor coil resistance and motor counter electro-motive force. It is therefore necessary either to select the external output Tr that does not suffer breakage by this current or to design changeover with the motor speed reduced to a certain degree.

14. FAIL Hall input

The output becomes “L” in following states with the open collector output :

- At abnormal Hall input
- When the low-voltage protection circuit is activated
- When the lock protection circuit is activated
- When the overheat protection circuit is activated

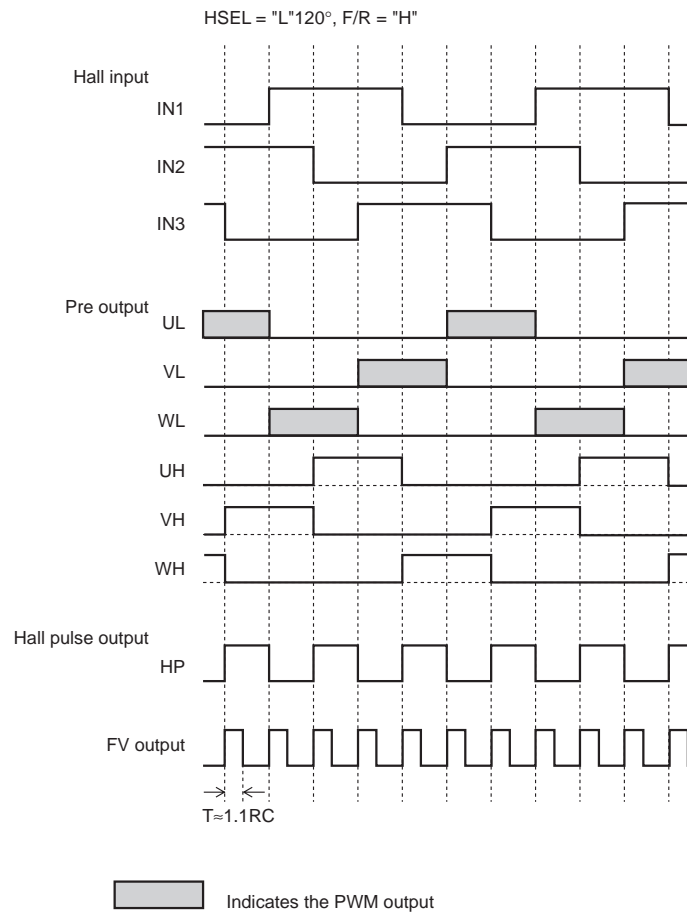
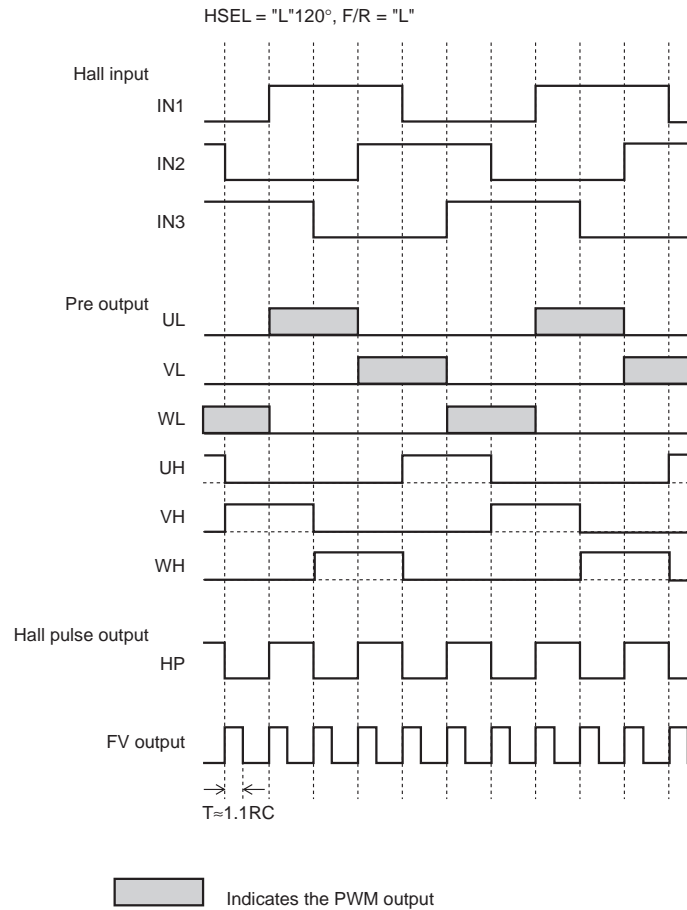
15. HSEL

Phase difference (120° and 60°) can be changed over for the three-phase Hall input.

- HSEL = "L" 120°
- HSEL = "H" 60°

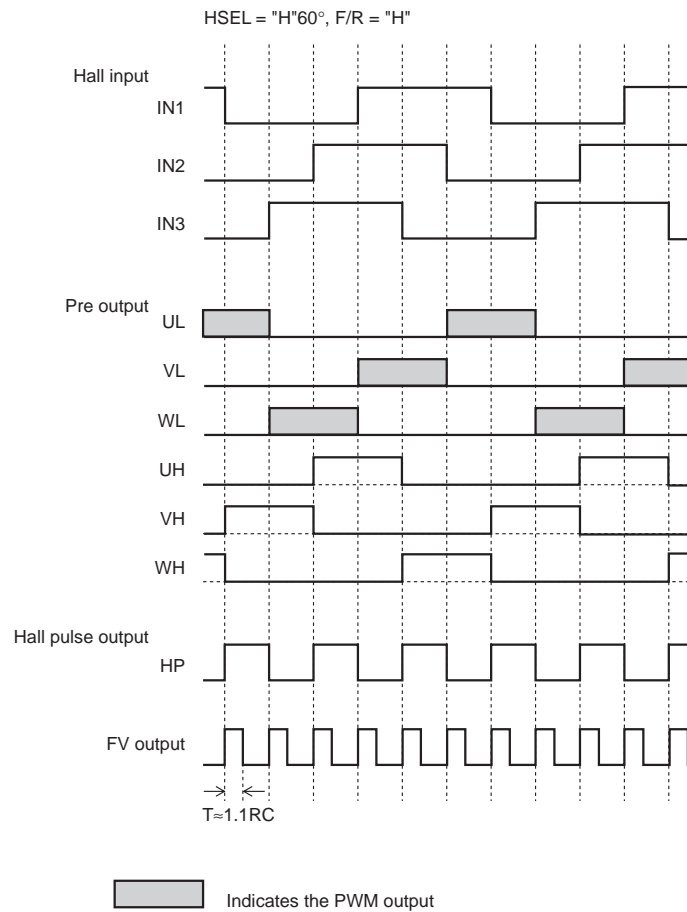
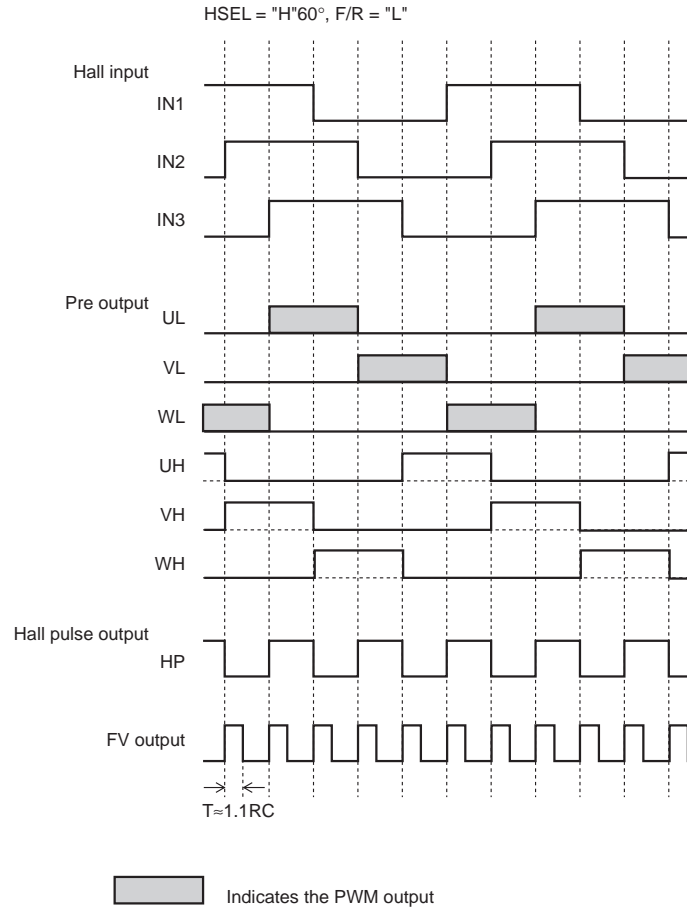
LB11691

Hall input – each output timing chart (For three-phase Hall input phase difference of 120°)

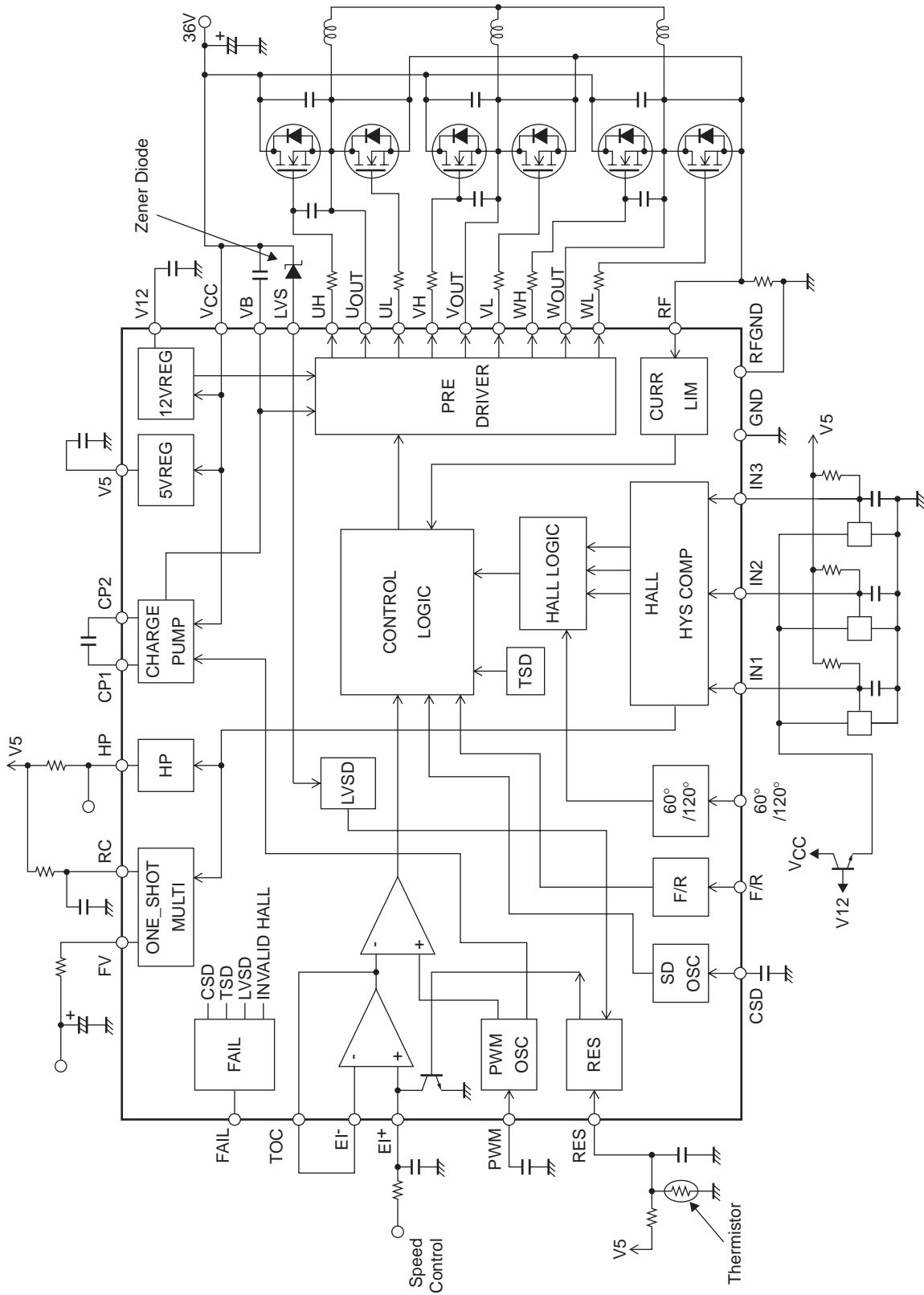


LB11691

Hall input – each output timing chart (For three-phase Hall input phase difference of 60°)

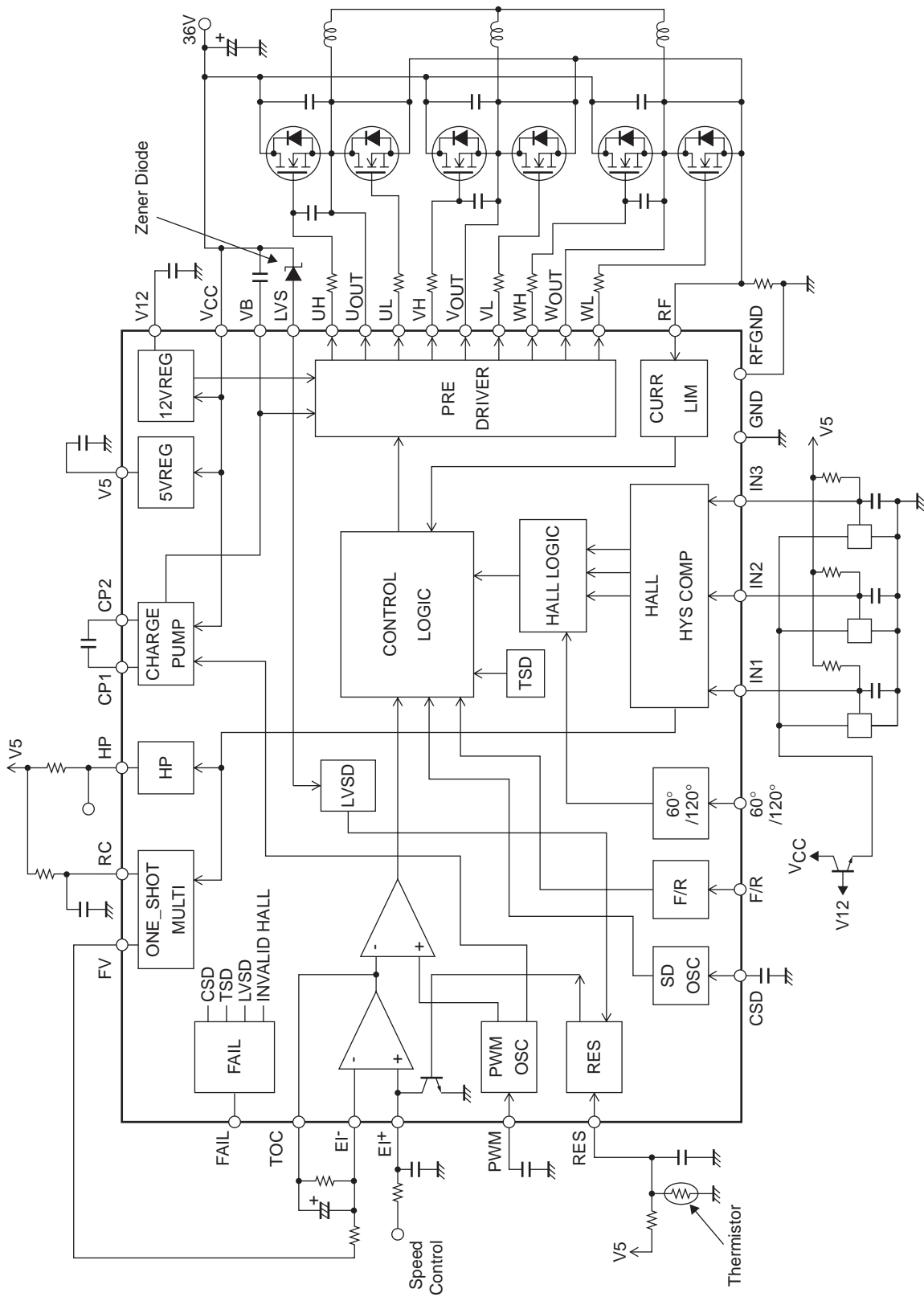


Sample Application Circuit



Sample Application Circuit

Sample Application (Closed Loop Speed Control)



- SANYO Semiconductor Co.,Ltd. assumes no responsibility for equipment failures that result from using products at values that exceed, even momentarily, rated values (such as maximum ratings, operating condition ranges, or other parameters) listed in products specifications of any and all SANYO Semiconductor Co.,Ltd. products described or contained herein.
- SANYO Semiconductor Co.,Ltd. strives to supply high-quality high-reliability products, however, any and all semiconductor products fail or malfunction with some probability. It is possible that these probabilistic failures or malfunction could give rise to accidents or events that could endanger human lives, trouble that could give rise to smoke or fire, or accidents that could cause damage to other property. When designing equipment, adopt safety measures so that these kinds of accidents or events cannot occur. Such measures include but are not limited to protective circuits and error prevention circuits for safe design, redundant design, and structural design.
- In the event that any or all SANYO Semiconductor Co.,Ltd. products described or contained herein are controlled under any of applicable local export control laws and regulations, such products may require the export license from the authorities concerned in accordance with the above law.
- No part of this publication may be reproduced or transmitted in any form or by any means, electronic or mechanical, including photocopying and recording, or any information storage or retrieval system, or otherwise, without the prior written consent of SANYO Semiconductor Co.,Ltd.
- Any and all information described or contained herein are subject to change without notice due to product/technology improvement, etc. When designing equipment, refer to the "Delivery Specification" for the SANYO Semiconductor Co.,Ltd. product that you intend to use.
- Information (including circuit diagrams and circuit parameters) herein is for example only; it is not guaranteed for volume production.
- Upon using the technical information or products described herein, neither warranty nor license shall be granted with regard to intellectual property rights or any other rights of SANYO Semiconductor Co.,Ltd. or any third party. SANYO Semiconductor Co.,Ltd. shall not be liable for any claim or suits with regard to a third party's intellectual property rights which has resulted from the use of the technical information and products mentioned above.

This catalog provides information as of August, 2007. Specifications and information herein are subject to change without notice.