

270 VDC SOLID-STATE POWER CONTROLLERS

DESCRIPTION

The SSP-21116 Series of 270 Volt, dc, Solid-State Power Controllers (SSPCs) replace electromagnetic circuit breakers and solid-state relays rated from 2 through 15 amperes. These SSPCs offer status outputs and permit external input logic control so that they may be remotely located near to the load. There are four models in the series, differing only in rated current, so that fault and I²T trip characteristics can be selected to protect wiring and loads.

Using Power MOSFET switches, these Power Controllers offer low "on" resistance, low voltage drop, high "off" impedance, and low power dissipation. Built with Power MOSFETs and custom monolithics and using thick film hybrid technology, they offer small size, low power and high reliability.

Built-In-Test (BIT) has been provided to monitor, in real time, the status of the internal circuitry as well as circuitry external to the SSPC. This BIT monitors MOSFET failure and control circuit failure.

The SSP-21116 Series will operate over the full MIL temperature range from -55°C to +125°C with no thermal derating (see ordering information).

APPLICATIONS

Designed to replace circuit breakers in land, air and space vehicles, these Solid-State Power Controllers provide status outputs for light and heavy overloads as well as minimum load current.

FEATURES

- *True I²T Protection*
- *Isolated Control Circuitry*
- *Status Outputs*
- *Instant Trip Protection*
- *Leakage Clamp*
- *Low Power Dissipation*
- *Solid-State Reliability*

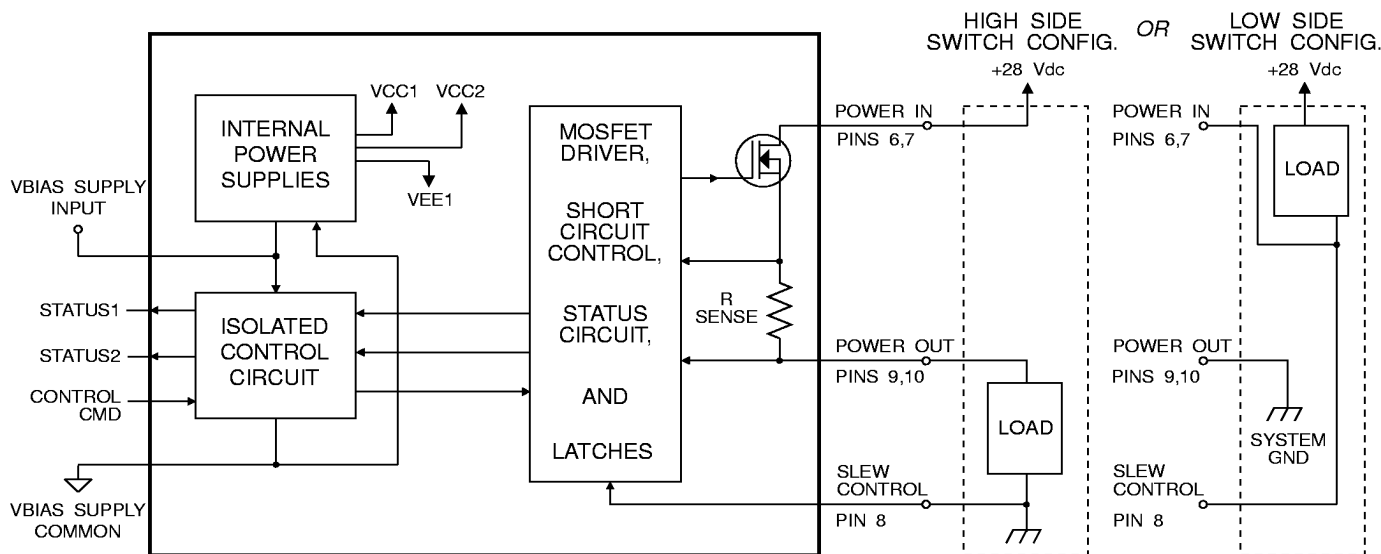


FIGURE 1. SSP-21116 BLOCK DIAGRAM

TABLE 1. ABSOLUTE MAXIMUM RATINGS		
PARAMETER	UNIT	VALUE
Power Input To Power Ground	Vdc	450 continuous 500 Volts, 50ms transient
Control Input To Signal Ground	Vdc	-0.5 to +7.0
Power Ground To Signal Ground	Vdc	-1000 to +1000
V Bias voltage (see note 4)	Vdc	-0.5 to +7.0
Pin-to-case	Vdc	-1000 to +1000
Lead Temperature (soldering)	°C	+300
Junction Temperature	°C	+150

TABLE 2. RECOMMENDED OPERATING CONDITIONS		
PARAMETER	UNIT	VALUE
Power Input To Power Ground	Vdc	+60.0 to +300.0
Control Input To Signal Ground	Vdc	0 to V Bias
Power Ground To Signal Ground	Vdc	-300 to +300
V Bias voltage (see note 4)	Vdc	+4.5 to +5.5

Note: Power Ground = Neutral; Bias Supply Common = Signal Ground

TABLE 3. SSP-21116 SPECIFICATIONS (SEE NOTES 1 AND 2)			
PARAMETER	CONDITIONS	UNIT	VALUE
CONTROL CIRCUIT			
Logic Type			TTL/CMOS compatible
V Bias Supply Current	V _{CC} = 4.5 to 5.5Vdc	mA	25typ
Control Turn-On Voltage		V	2.0 to 5.5
Control Turn-Off Voltage		V	-0.5 to 0.8
Control Input Current	control voltage = 5.0V	µA	50max
Control Input Current	control voltage = 2.4V	µA	50max
Control Input Current	control voltage = 0.8V	µA	-50min
Status Output Voltage	V _{CC} = 4.5V, I _{OL} = 2.5mA	V	0.4max
Status Output Voltage	V _{CC} = 4.5V, I _{OH} = -1.0mA	V	2.4min
Status Truth Table	see TABLE 5		
POWER CIRCUIT			
Max. Continuous Current			See Table 4
'On' Resistance			See Table 4
Power Dissipation			See Table 4
Power In to Power Ground		V	0 to 300
Power Out Leakage Current to Power Ground	Power In = 60 - 300V (see note 2)	mA/A	0.1max
Power Out Voltage with Switch OFF	Power In = 60 - 300V No Load	V	30max
Max Load Capacitance for Start-Up	Power In = 60 - 300V (see note 2)	µF/A	4typ
Signal to Neutral Ground Isolation	at 100Vdc	pF	1000typ
Output Capacitance	see note 2	pF/A	300typ
Trip Reset Time		ms	30min
Rupture Capacity	Unlimited	A	Unlimited
Output-to Input Parasitic Diode, Continuous Current Per Amp Of Rated Current	Power Out Voltage > Power In Voltage	A	1.0typ
Output-to Input Parasitic Diode, Pulsed Current Per Amp Of Rated Current	Power Out Voltage > Power In Voltage Pulse Width ≤ 100µS	A	4.0typ

TABLE 3. SSP-21116 SPECIFICATIONS (SEE NOTES 1 AND 2)			
PARAMETER	CONDITIONS	UNIT	VALUE
POWER CIRCUIT (continued)			
Output-to Input Parasitic Diode, Forward Voltage at Continuous Current	Power Out Voltage > Power In Voltage	V	1.8max
Isolation Resistance, Any Pin to Case	Pin-to-Case Voltage = 100Vdc	MΩ	50min
Isolation Resistance Power Ground to Signal Ground	Power Ground to Signal Ground Voltage = 500Vdc	MΩ	50min
Voltage Drop	across pins 6&7, 9&10	Vdc	see note 3
Trip Characteristics	see FIGURE 2		
Response Time	see FIGURE 3		
TEMPERATURE RANGE			
Operating (Baseplate) Storage		°C	-55 to +85 °C -55 to +125
THERMAL RESISTANCE			
Case to Sink (θ _{CS}) Case to Ambient (θ _{CA})		°C/W	0.4 6
Temperature Rise, Junction-to-Case	Rated Load	°C	10
PHYSICAL CHARACTERISTICS			
Size Weight	see FIGURE 4	g	115

Notes:

- 55°C ≤ Case Temperature ≤ 125°C
- 'A' is Amps of Rated SSPC Current.
- For 2A, 5A, and 10A units the value is 1V max; for 115A unit the value is 1.5V max.
- An external 0.1µf ceramic capacitor from V Bias to the +5V return ground is recommended.

TABLE 4.			
PART NUMBER	I-MAX*(Amps)	'ON' RESISTANCE (Ohms)**	POWER DISSIPATION (Watts)**
SSP21116-002	2	0.460	2.0
SSP21116-005	5	0.160	4.2
SSP21116-010	10	0.085	8.7
SSP21116-015	15	0.085	19.3

* I-MAX is the maximum continuous current.

** Specified for -55°C to +105°C; increases 0.6%/°C between +105°C and +125°C

Note: Other Amp ratings are available, consult factory.

FUNCTIONAL DESCRIPTION

The SSP-21116 series of Solid-State Power Controllers incorporate the wire protection feature of electromechanical circuit breakers and the reliability of solid-state relays. In addition to the solid-state relay's input logic compatibility, the SSP-21116 series provide logic compatible status outputs.

A TTL/CMOS compatible input provides external control of the power switch's "ON/OFF" state. A logic high on this control input turns the power to the load "on". A logic low will turn the power switch off, which removes power from the load.

In the event of an overload, the SSP-21116 series will trip, just like a circuit breaker, and automatically remove power from the load. In order to turn back on, the control input must be brought to a logic low, and then returned to a logic high state.

As in a circuit breaker, the SSPC's time to trip depends on the current level. Slight overloads will cause longer trip times. Heavy overloads will cause shorter trip times. The fault ("Instant Trip") and I²T trip curve, FIGURE 2, shows the trip time as a function of current for a single trip or repetitive trips with at least 10 seconds between trip and turn on. Attempts to repeatedly turn on into an overload will result in the thermal memory shortening each trip time. This "memory" protects the wire, load and Solid-State Power Controller.

The status lines are TTL/CMOS compatible outputs which reflect the state of the SSPC, the load and the Built In Test (BIT) circuits. The status permits an external subsystem to monitor and ultimately control the SSPC. TABLE 5 defines the status lines' states which indicate the various states of the SSPC. Further explanation of the status lines appears in the applications information section.

The SSP-21116 series SSPC's are characterized by their current rating and maximum "on" resistance listed in TABLE 4. These parameters are established by the number of Power FET's placed in parallel within the SSPC.

The trip function is implemented by two separate circuits, a true I²T trip comparator and a short circuit fault comparator. They are independent of each other but work together to protect the system.

If the load current is less than 110% of rated current, the SSPC will never trip. If the load current is greater than 145%, the SSPC will always trip.

For load currents less than 800%, the trip time can be found from FIGURE 2 by drawing a horizontal line on FIGURE 2 at the current level of interest. The SSPC will always trip at a time between the two curves. This is true I²T tripping.

When the SSPC trips in accordance with the I²T characteristics, the fall time is 200 μs, maximum.

For load currents greater than 1200%, the SSPC will turn off in less than 25 μs. Between 800% and 1200%, the SSPC will turn off in a time less than the "max. trip limit" shown in FIGURE 2 and may turn off in less than 25 μs. When the SSPC turns off under these fault conditions, the fall time is less than 25 μs.

While the SSPC will always turn off in less than 25 μs when the load current is greater than 1200%, the actual current may 'spike' to a value higher than 1200% due to circuit delays. The MOSFET's inherently self limit the maximum current, depending on the number of MOSFET's and their rating.

During turn on and turn off the rise and fall time of the output voltage is controlled to be less than 200 μs. This value is a compromise between faster response time with a greater amount of RFI and EMI generated, and slower response time with less RFI and EMI but greater power dissipated in the SSPC during transitions. Since the Power MOSFET switches are not saturated during transitions the switching power dissipation is much greater than the static dissipation, and longer transitions result in a larger temperature rise. If the SSPC is rapidly turned on and off, the high average dissipation could result in a significant temperature rise in the SSPC. For this reason do not turn the SSPC off and on more rapidly than 30 msec. This will limit the maximum temperature of the switches to a safe level.

The SSP-21116 has been designed to derive its internal power requirements from the bias supply input (+5 Vdc).

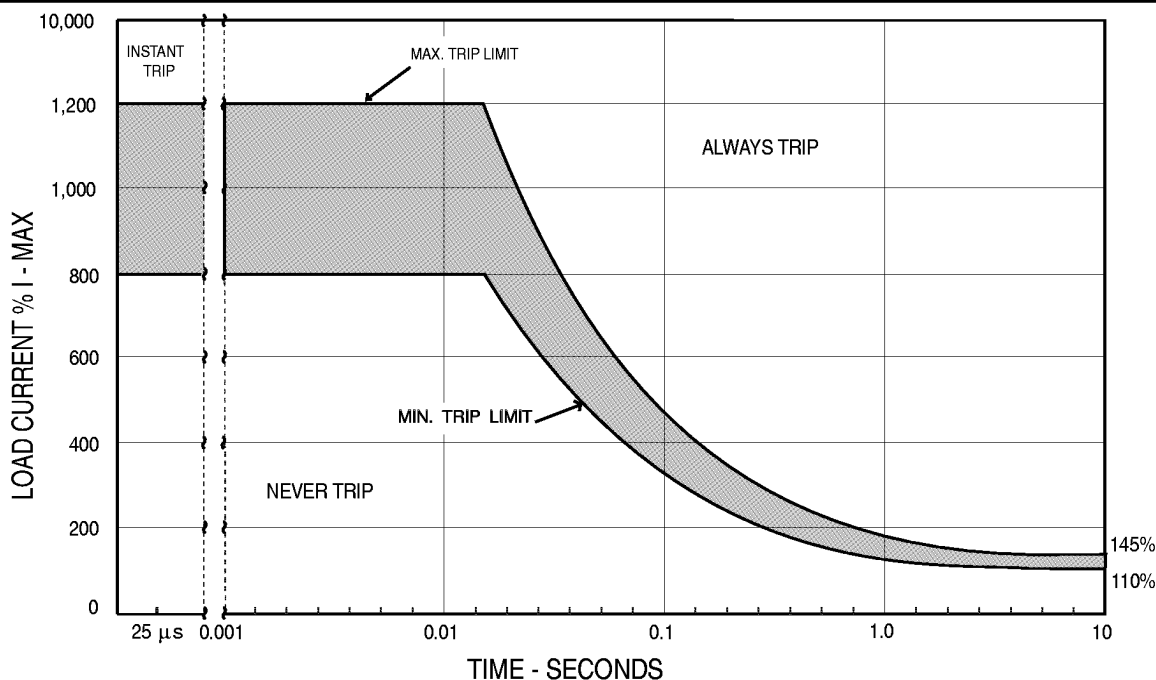


FIGURE 2. TRIP CHARACTERISTICS

APPLICATIONS INFORMATION

SELECTION

The selection of a proper sized SSPC is essential for protection of the wire and load. This selection should be based on the steady state and transient overload currents.

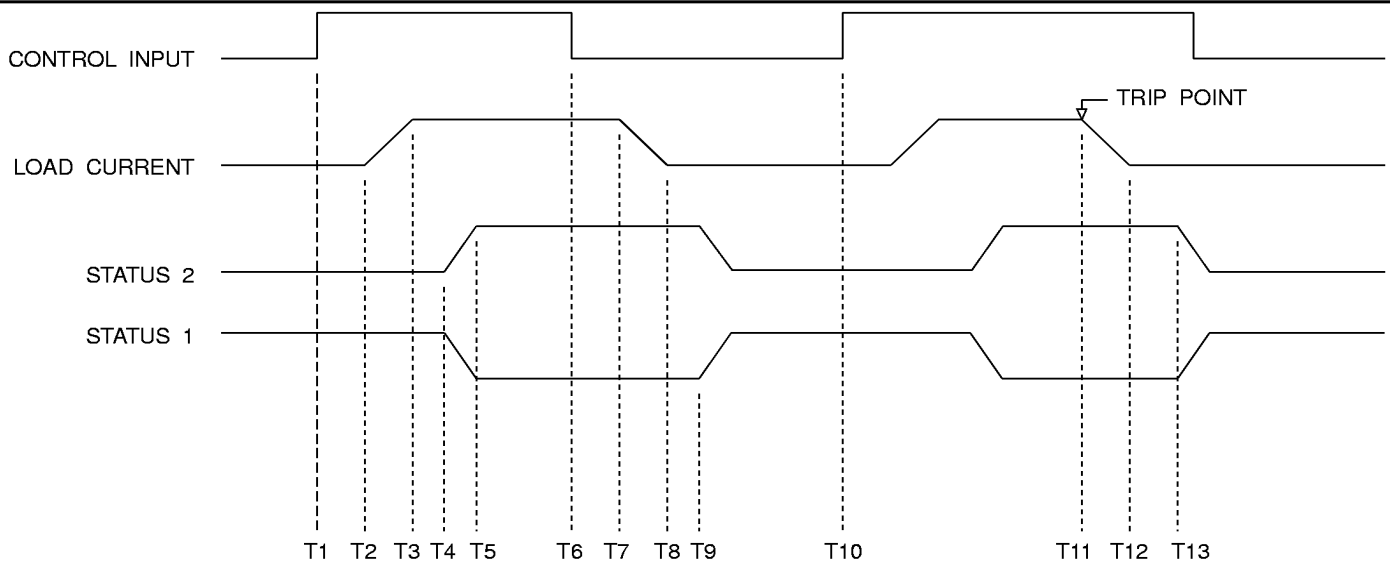
The shape of the trip curve (I^2T) is selected as optimum to protect the system wiring. The power dissipated in the wire is the wire resistance times the load current squared, and the temperature of the wire is determined by the length of time that this power is being dissipated. This makes the wire temperature proportional to the current squared times the on time. Since the trip curve follows this same characteristic the SSPC can accurately predict the wire temperature rise as a result of overloads and remove load current before the wiring is damaged from overtemperature. Of course, the wire I^2T product should be greater than the SSPC I^2T product for the SSPC to protect the wire.

PRECAUTIONS

When a short circuit causes turn off of the SSPC, precautions have to be taken to limit the transient voltages generated by the wire inductance. The magnitude of this voltage is $L \cdot di/dt$ where

"L" is the wire inductance in Henries and "di/dt" is the rate of change of output current. If the SSPC turns off in 10 msec from a 150 amp overload (1000% for 15 amp unit) with a wire inductance of only 33 mH it would generate a spike of 500 volts. This exceeds the voltage rating of the MOSFET's. In order to provide protection from these transients, transient voltage suppressors should be used between the SSPC Neutral and the Power In and between the SSPC Neutral and Power Out terminals. The rating of the transient voltage suppressors should be selected so that at the maximum expected short circuit current, the transient voltage suppressor voltage drop would not exceed the SSPC voltage rating, and the power to be dissipated can be safely absorbed without transient suppressor failure.

While circuit inductance can cause high voltage transients during turn off, lack of circuit inductance can cause current transients prior to turn off. If the output of the SSPC is shorted and there is no circuit inductance, the current from the source can rise instantaneously to a high value. The SSPC will limit the current to about 30 times its rating (3,000%). Circuit inductance will limit the rate of rise of this current. The SSPC can take 25 μ s to turn off. The current will always overshoot the 1200% maximum level of the SSPC due to this 25 μ s delay. If the current rises slowly due to circuit inductance, the overshoot will be negligible; if the current rises quickly, the overshoot will be more significant. In any case, the current spike will be less than 25 μ s.



SOLID-STATE POWER CONTROLLER TIMING AT 28 Vdc.				
TIME	DESCRIPTION	MAXIMUM	UNIT	NOTES
T1-T2	TURN-ON DELAY	350	μ s	
T2-T3	CURRENT RISE TIME	200	μ s	
T1-T4	STATUS 1 & STATUS 2 TURN-ON DELAY	7.5	ms	
T4-T5	STATUS 1 & STATUS 2 RISE AND FALL TIME	350	ns	
T6-T7	TURN-OFF DELAY	350	μ s	
T7-T8	CURRENT FALL TIME	200	μ s	
T6-T9	STATUS 1 & STATUS 2 TURN-OFF DELAY	5.0	ms	
T10-T11	TRIP TIME AFTER TURN-ON	SEE FIG. 2	s	
T11-T12	CURRENT FALL TIME AFTER TRIP	200	μ s	LOAD CURRENT < 800%
T11-T12	CURRENT FALL TIME AFTER TRIP	25	μ s	LOAD CURRENT > 1200%
T11-T13	TRIP TURN-OFF STATUS 1 DELAY	5.0	ms	

FIGURE 3. SOLID-STATE POWER CONTROLLER TIMING

In most real applications, there will always be significant circuit inductance. The problem to guard against is voltage transients, not current transients.

When testing individual SSPC's, be careful to simulate actual system conditions.

POWER ON RESET

When the 5 V bias power is first applied, the SSPC will be off regardless of the CONTROL CMD input. If the CONTROL CMD input is a logic low, the SSPC is turned on by bringing the CONTROL CMD to a logic high. If the CONTROL CMD input is at a logic high when power is applied, the SSPC may be turned on by cycling the CONTROL CMD input to a logic low and then to a logic high. The system controller can be programmed to do this cycling of the CONTROL CMD input. Subsequent loss of the bias supply power causes the SSPC to turn off. Re-application of the bias supply power again causes a power on reset (refer to optional Power on reset.) Loss of power to the POWER IN terminals does not turn off the SSPC and re application of this power does not cause a power on reset.

STATUS CODES

This section contains a fuller explanation of the conditions and meaning of the status codes shown in TABLE 5. Each paragraph number corresponds to the STATE in TABLE 5.

The first four conditions show the control input has commanded the SSPC to be off.

- 1) The SSPC has failed or shorted to ground. STATUS 1 indicates the load is drawing current but the SSPC should be off.
- 2) The SSPC has failed. STATUS 1 indicates the load is drawing current; STATUS 2 indicates the Power MOSFET switch is on; the SSPC should be off.
- 3) Normal off condition. STATUS 1 indicates the load is not drawing current; STATUS 2 indicates the Power MOSFET switch is off.
- 4) The SSPC has failed or STATUS 2 has shorted to the bias supply. STATUS 1 indicates the load is not drawing current; STATUS 2 indicates the Power MOSFET is on ; the SSPC should be off.

The next four conditions show the control input has commanded the SSPC to be on.

- 5)The SSPC has failed or there is a short to ground on the STATUS 2 output. STATUS 1 indicates the load is drawing current but STATUS 2 indicates the Power MOSFET switch is off.
- 6)Normal on condition. STATUS 1 indicates the load is drawing current and STATUS 2 indicates the Power MOSFET switch is on.
- 7)Tripped condition. STATUS 1 indicates the load is not drawing current and STATUS 2 indicates the Power MOSFET switch if off. The SSPC can be turned back on by

cycling the input control to a logic low and then back to a logic high. If the excessive load has not been removed, the SSPC will trip again.

- 8) No load current. STATUS 1 indicates the load is not drawing current; STATUS 2 indicates the Power MOSFET switch is on.

LOADS

The SSP-21116 series can be used with any type of load: any combination of inductive, resistive, and capacitive. In addition, they can be used with dc motors and lamps.

Inductive loads require protecting the SSPC against voltage transients. See the section on Precautions above.

Capacitive loads require comparing the load inrush current to the trip curve of FIGURE 2. The inrush current must be below the minimum trip curve to avoid tripping on the inrush current.

Capacitive loads can present a discharge problem. The SSPC's use Power MOSFET's as the switching element. The MOSFET's contain a parasitic diode which will be forward biased if the SSPC power output terminal is more positive than the power input terminal. If the 270 Vdc source is turned off while a charge is held on the capacitive load, this diode will turn on and discharge the load through the generator. The SSPC can carry a reverse current equal to its forward current rating; however, the dissipation with reverse current is up to four times the forward current dissipation for the same current. The user must ensure that the maximum case temperature is not exceeded.

TABLE 5				
STATE	INPUT CONTROL CMD	OUTPUT STATUS 1 (see note 2)	OUTPUT STATUS 2 (see note 3)	POWER CONTROLLER AND LOAD STATUS
1	L	L	L	SSPC failure or short to ground.
2	L	L	H	Load 'on'; showing SSPC failure.
3	L	H	L	Load 'off'; showing normal 'off' condition.
4	L	H	H	SSPC failure or STATUS 2 shorted to bias supply.
5	H	L	L	SSPC failure or short to ground on STATUS 2 line.
6	H	L	H	Load is 'ON', showing normal 'on' condition.
7	H	H	L	Load is 'OFF', showing 'trip' (see note 1).
8	H	H	H	Normal power out with load <5% of rated SSPC current.

- Notes:
- 1) Any trip condition per Figure 2.
 - 2) STATUS 1 indicates a logic LOW when the load is > 15% of the rated SSPC current.
 - 3) STATUS 2 indicates a logic HIGH when the Power MOSFET switch is on.

Incandescent lamps must be treated like capacitive loads for inrush current. Since they do not store charge, they do not present a discharge problem.

DC motors also must be treated like capacitive loads for inrush current. If they continue rotating when power is removed, reverse current is a possibility due to back EMF. Voltage transients must also be considered when using dc motors as loads on SSPC's.

HEATSINKING

The SSP-21116 series are designed so that the junction temperature can never exceed its maximum rating if the case temperature is held to 125°C or less. Heatsinking is recommended to keep the case temperature to 125°C when operating at high ambient temperatures. The SSPC's may be operated at room temperature without a heat sink. The maximum ambient temperature, T_A, for operation without a heat sink is 125 - P_d × θ_{CA} (where P_d is the power dissipation from TABLE 4 and θ_{CA} is the thermal resistance from case-to-ambient from TABLE 3).

The same expression is used for finding the maximum ambient temperature with a heat sink except θ_{CA} is now the sum of the thermal resistance from case-to-sink and from sink-to-ambient.

NO OFFSET VOLTAGE

The Power MOSFET used in the DDC SSPC's have no inherent voltage offset. The voltage drop across the Power MOSFET is solely dependent on the current flowing through the device and its "ON" resistance.

Bipolar transistors, on the other hand, have an inherent dc offset voltage to which is added a voltage drop proportional to the devices' "ON" resistance and the current flowing through it. It is this inherent offset voltage that is missing from the power MOSFET. The Power MOSFET in many applications, leads to a lower voltage drop and power dissipation as an SSPC switch. In addition the Power MOSFET's driver logic requirements are much simpler, especially when multiple MOSFET's are used, as in the SSPC product.

NO SECONDARY BREAKDOWN, AND PARALLELING SSPC'S

A bipolar transistor has a set of current voltage limits that form an envelope that cannot be exceeded; this is known as the safe operating area of the device. If this envelope is exceeded local hot spots will occur. These hot spots conduct currents more readily than adjacent cool areas and tend to become hotter. This thermal runaway, or *secondary breakdown*, leads to the ultimate destruction of the device.

The Power MOSFET's have the opposite characteristics from that of thermal runaway in bipolar devices. A local hot spot will steer current away from itself as its resistance in this area goes up. This results in even current sharing throughout the entire device, thereby eliminating hot spots. The inherent advantage of not having secondary breakdown is that the entire MOSFET has to exceed its temperature limitations before damage results. This characteristic makes the Power MOSFET more rugged when used for power switching than bipolar devices.

Due to the current sharing aspects of the power MOSFET, they can be placed in parallel and share the load equally. DDC has a standard 28 Vdc 80 AMP power module which uses this technique.

ISOLATION OF CONTROL AND STATUS

The SSPC was designed with isolation between the load power and the five volt control logic input and the status outputs. This is necessary to prevent noise caused by transients or power spikes on the power line from adversely affecting the operation of the SSPC. Therefore the case, POWER IN and the Control Circuit are all electrically isolated. FIGURE 1 shows this isolation as the "ISOLATED CONTROL CIRCUIT"; also notice the separation of the power (neutral) ground and signal (bias supply common) ground.

The electrical isolation is supported by an internal power oscillator that electrically isolates separate internal power supplies that will power the internal analog and digital monolithics. This isolation prevents load or logic ground loops from affecting the proper operation of the SSPC. The isolation also insures that a fault of the switch (MOSFET) could never propagate back into the SSPC logic or cause damage to the logic side.

OPTIONS

The following characteristics can be factory modified on special orders:

- I²T TRIP CURVE: K-factor adjustments
- OUTPUT RISE AND FALL TIMES: Turn-Off and Turn-On time can be factory modified (e.g., capacitive loads)
- CURRENT RANGE
- POWER-ON RESET: Other (V Bias) options are available
- LEAKAGE CLAMP: can be deleted
- INPUT CONTROL: TTL or CMOS or Both with Hysteresis (Schmitt trigger characteristics)
- CUSTOM PACKAGING: DIP, Flat Pack, or Smaller 2-5 Amp package
- OPTIONAL STATUS TRUTH TABLE (See TABLE 6)

TABLE 6. OPTIONAL STATUS TRUTH TABLE			
CONTROL	STATUS 1	STATUS 2	SYSTEM STATUS
LOW	LOW	LOW	SSPC failure, or STATUS 1 and STATUS 2 shorted to ground, or No Bias
LOW	LOW	HIGH	SSPC failure or STATUS 1 shorted to ground
LOW	HIGH	LOW	SSPC failure or STATUS 2 shorted to ground
LOW	HIGH	HIGH	Load 'OFF', Normal Condition
HIGH	LOW	LOW	SSPC failure or STATUS 2 shorted to ground
HIGH	LOW	HIGH	Load 'ON', Normal Condition
HIGH	HIGH	LOW	Load is 'OFF', Tripped
HIGH	HIGH	HIGH	Load is 'ON', Load < 0.5% Rated Current

STATUS 1 indicates a logic LOW if > 15% of the rated current flowing.
STATUS 2 indicates a logic LOW if the SSPC is tripped due to overcurrent.

DIMENSIONS ARE IN INCHES (mm)

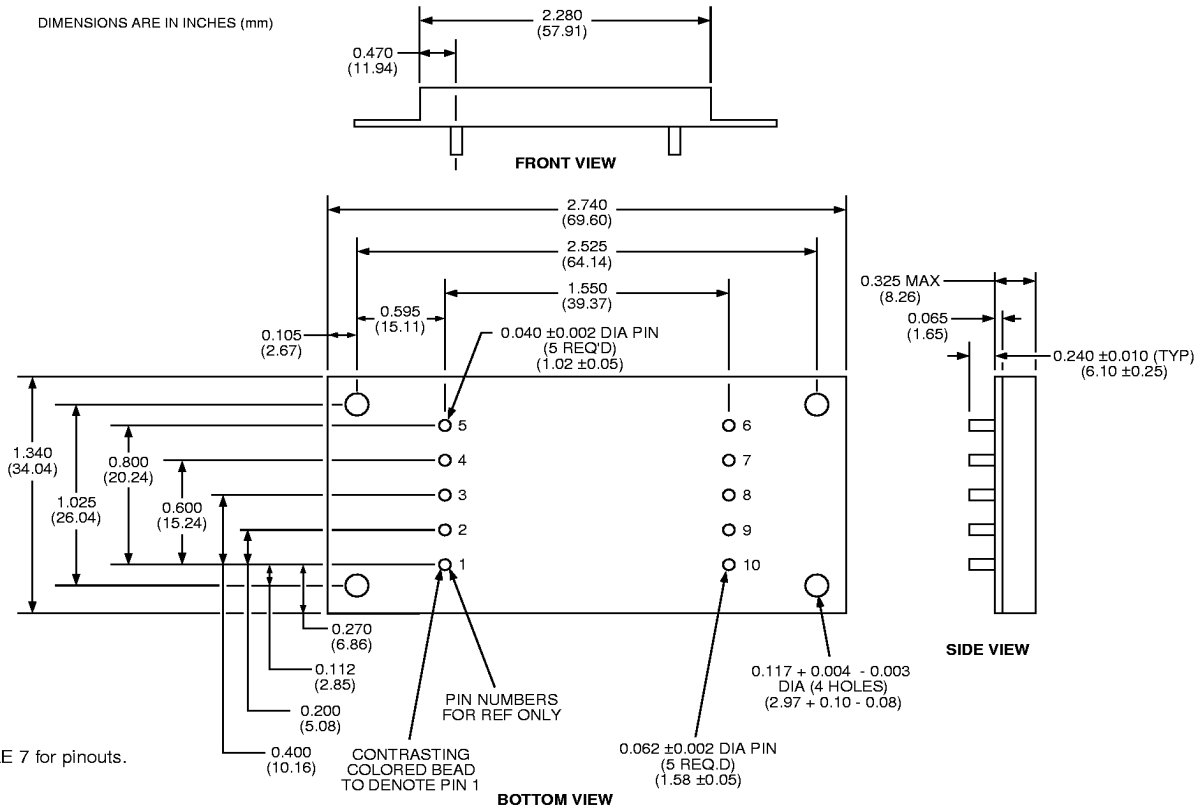


FIGURE 4. MECHANICAL OUTLINE FOR 2-5 AMP PACKAGING

DIMENSIONS ARE IN INCHES (mm)

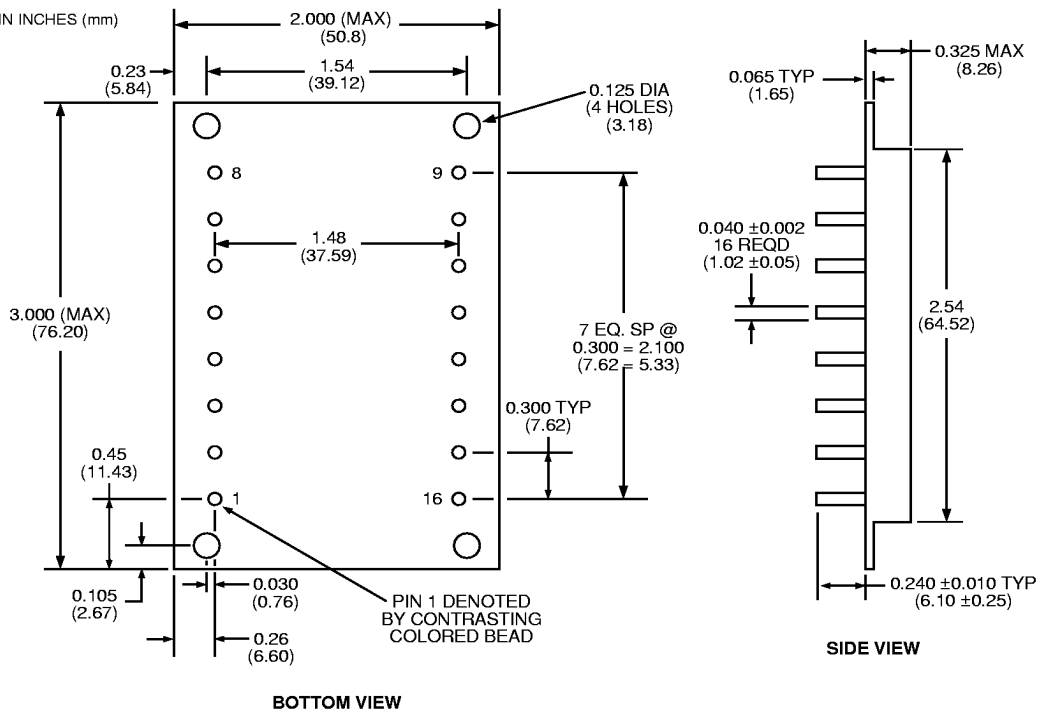


FIGURE 5. MECHANICAL OUTLINE FOR 7-15 AMP DIP PACKAGING

TABLE 7. PINOUTS FOR FIGURE 4.			
PIN	FUNCTION	PIN	FUNCTION
5	CONTROL COMMAND	6	POWER IN
4	STATUS 1	7	POWER IN
3	STATUS 2	8	NEUTRAL
2	BIAS SUPPLY COMMON	9	POWER OUT
1	BIAS SUPPLY INPUT	10	POWER OUT

TABLE 8. PINOUTS FOR FIGURE 5.			
PIN	FUNCTION	PIN	FUNCTION
1	POWER OUT	16	POWER IN
2	POWER OUT	15	POWER IN
3	POWER OUT	14	POWER IN
4	NEUTRAL	13	BIAS SUPPLY COMMON
5	NC	12	BIAS SUPPLY INPUT
6	NC	11	STATUS 1
7	NC	10	STATUS 2
8	NC	9	CONTROL COMMAND

ORDERING INFORMATION

SSP-21116-XXX-X

Reliability grade:

B = Hybrids Screened to
MIL-PRF-38534 but without
QCI testing

Blank = Standard DDC procedures

XX - Current in Amps ⁽¹⁾

Temperature Range ⁽²⁾:

0 = -55°C to +125°C

1. See TABLE 4 for available current ranges. Consult factory for other current ranges.

2. Consult factory for other temperature ranges are available.

The information in this data sheet is believed to be accurate; however, no responsibility is assumed by ILC Data Device Corporation for its use, and no license or rights are granted by implication or otherwise in connection therewith.
Specifications are subject to change without notice.

DDC

ILC DATA DEVICE CORPORATION®

105 Wilbur Place, Bohemia, New York 11716-2482

For Technical Support - 1-800-DDC-5757 ext. 7381

Headquarters - Tel: (516) 567-5600 ext. 7381, Fax: (516) 567-7358

Northern New Jersey - Tel: (908) 687-0441, Fax: (908) 687-0470

Southeast - Tel: (703) 450-7900, Fax: (703) 450-6610

West Coast - Tel: (714) 895-9777, Fax: (714) 895-4988

Europe - Tel: +44-(0)1635-811140, Fax: +44-(0)1635-32264

Asia/Pacific - Tel: +81-(0)3-3814-7688, Fax: +81-(0)3-3814-7689

World Wide Web - <http://www.ilcddc.com>



ILC DATA DEVICE CORPORATION
REGISTERED TO ISO 9001
FILE NO. A5976