

88-common x 132-segment BIT MAP LCD DRIVER

■ GENERAL DESCRIPTION

The **NJU6677** is a 88-common x 132-segment bit map LCD driver to display graphics or characters.

It contains 15,840 bits display data RAM, microprocessor interface circuits, instruction decoder, and common and segment drivers.

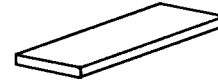
An image data from CPU through the serial or 8-bit parallel interface are stored into the 15,840 bits internal display data RAM and are displayed on the LCD panel through the commons and segments drivers.

The **NJU6677** displays 88 x 132 dots graphics or 8-character 5-line by 16 x 16 dots character.

The **NJU6677** contains a built-in OSC circuit for reducing external components. And it features Partial Display Function containing selectable active display block(s) (two blocks max.) and optimizing the duty cycle ratio. This function dramatically reduces the operating current, setting the optimum boosted voltage combined with a programmable voltage booster circuit and an electrical variable resistor. As result, it reduces the operating current.

The operating voltage from 2.5V to 3.3V and low operating current are suitable for small size battery operation items.

■ PACKAGE OUTLINE



NJU6677CJ

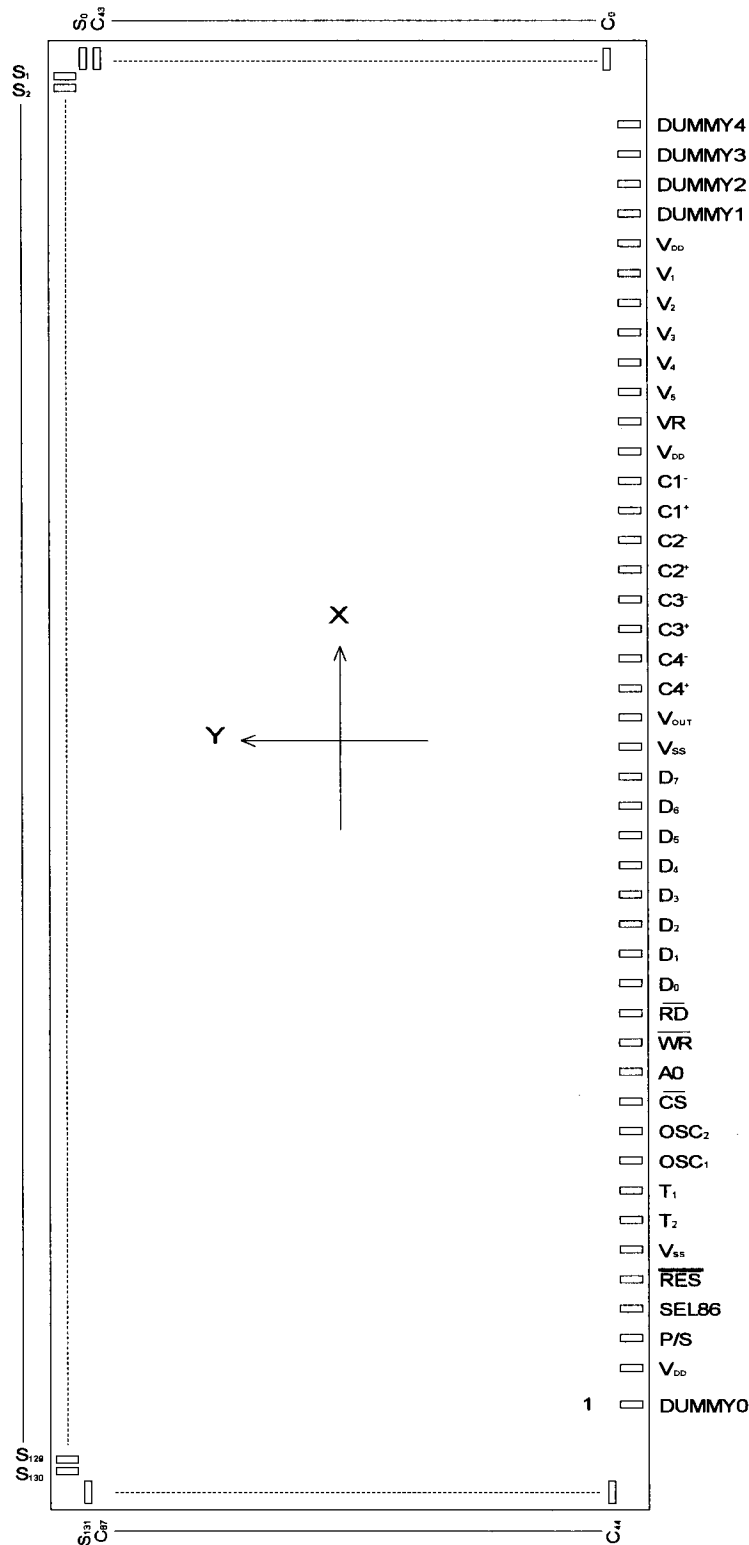
■ FEATURES

- Direct Correspondence of Display Data RAM to LCD Pixel
- Display Data RAM - 15,840 bits ;(1.36 times over than display size)
- LCD drivers - 88-common and 132-segment
- Direct connection to 8-bit Microprocessor interface for both of 68 and 80 type MPU
- Serial Interface
- Partial Display Function Two limited active display blocks setting. Duty ratio set automatically.
- Easy Vertical Scroll by setting the start line address of over size display data RAM
- Programmable Bias selection ; 1/4,1/5,1/6,1/7,1/8,1/9,1/10 bias
- Common Driver Order Assignment by mask option

Version	Co to C87(Pin name)
NJU6677A	Com0 to Com87
NJU6677B	Com87 to Com0

- Useful Instruction Sets
Display ON/OFF Cont, Display Start Line Set, Page Address Set, Column Address Set, Status Read, Display Data Read/Write, Inverse Display, All On/Off, Partial Display, Bias Select, n-Line Inverse, Voltage Booster Circuits Multiple Select(Maximum 5-time), Read Modify Write, Power Saving, ADC Select, etc.
- Power Supply Circuits for LCD; Programmable Voltage Booster Circuits(5-time Maximum, Voltage boosting polarity:Negative voltage(V_{DD} Common)),Regulator, Voltage Follower (x 4)
- Precision Electrical Variable Resistance
- Low Power Consumption
- Operating Voltage --- 2.5V to 3.3V
- LCD Driving Voltage --- 6.0V to 18V
- Package Outline --- COF / TCP / Bumped Chip
- C-MOS Technology (Substrate:N)

■ PAD LOCATION



Chip Center	: X=0um, Y=0um
Chip Size	: X=8.31mm, Y=2.93mm
Chip Thickness	: 675um ± 30um
Bump Size	: 45um x 83um
Pad pitch	: 60um(Min)
Bump Height	: 17.5um TYP.
Bump Material	: Au
Voltage boosting polarity	: Negative voltage (VDD Common)
Substrate	: N

■ TERMINAL DESCRIPTION

Chip Size 8.31 x 2.93mm (Chip Center X=0um, Y=0um)

PAD No.	Terminal	X= um	Y= um
1	DUMMY0	-3884.0	-1305.0
2	VDD	-3179.2	-1305.0
3	P/S	-3014.1	-1305.0
4	SEL68	-2793.7	-1305.0
5	RES	-2557.3	-1305.0
6	VSS	-2400.1	-1305.0
7	T2	-2242.9	-1305.0
8	T1	-2007.3	-1305.0
9	OSC1	-1786.9	-1305.0
10	OSC2	-1550.5	-1305.0
11	\overline{CS}	-1330.1	-1305.0
12	A0	-1093.7	-1305.0
13	\overline{WR}	-873.3	-1305.0
14	\overline{RD}	-636.9	-1305.0
15	D0	-400.2	-1305.0
16	D1	-179.8	-1305.0
17	D2	40.6	-1305.0
18	D3	261.0	-1305.0
19	D4	481.4	-1305.0
20	D5	701.8	-1305.0
21	D6(SCL)	922.2	-1305.0
22	D7(SI)	1142.6	-1305.0
23	VSS	1300.1	-1305.0
24	VOUT	1370.1	-1305.0
25	C4 ⁺	1466.0	-1305.0
26	C4 ⁻	1614.8	-1305.0
27	C3 ⁺	1674.8	-1305.0
28	C3 ⁻	1823.6	-1305.0
29	C2 ⁺	1883.6	-1305.0
30	C2 ⁻	2032.4	-1305.0
31	C1 ⁺	2092.4	-1305.0
32	C1 ⁻	2241.2	-1305.0
33	VDD	2311.2	-1305.0
34	VR	2491.2	-1305.0
35	V5	2561.2	-1305.0
36	V4	2631.2	-1305.0
37	V3	2701.2	-1305.0
38	V2	2771.2	-1305.0
39	V1	2841.2	-1305.0
40	VDD	2911.2	-1305.0
41	DUMMY1	3119.2	-1305.0
42	DUMMY2	3179.2	-1305.0
43	DUMMY3	3239.2	-1305.0
44	DUMMY4	3884.0	-1305.0
45	C0	3995.0	-1318.1
46	C1	3995.0	-1258.1
47	C2	3995.0	-1198.1
48	C3	3995.0	-1138.1
49	C4	3995.0	-1078.1
50	C5	3995.0	-1018.1

PAD No.	Terminal	X= um	Y= um
51	C6	3995.0	-958.1
52	C7	3995.0	-898.1
53	C8	3995.0	-838.1
54	C9	3995.0	-778.1
55	C10	3995.0	-718.1
56	C11	3995.0	-658.1
57	C12	3995.0	-598.1
58	C13	3995.0	-538.1
59	C14	3995.0	-478.1
60	C15	3995.0	-418.1
61	C16	3995.0	-358.1
62	C17	3995.0	-298.1
63	C18	3995.0	-238.1
64	C19	3995.0	-178.1
65	C20	3995.0	-118.1
66	C21	3995.0	-58.1
67	C22	3995.0	1.9
68	C23	3995.0	61.9
69	C24	3995.0	121.9
70	C25	3995.0	181.9
71	C26	3995.0	241.9
72	C27	3995.0	301.9
73	C28	3995.0	361.9
74	C29	3995.0	421.9
75	C30	3995.0	481.9
76	C31	3995.0	541.9
77	C32	3995.0	601.9
78	C33	3995.0	661.9
79	C34	3995.0	721.9
80	C35	3995.0	781.9
81	C36	3995.0	841.9
82	C37	3995.0	901.9
83	C38	3995.0	961.9
84	C39	3995.0	1021.9
85	C40	3995.0	1081.9
86	C41	3995.0	1141.9
87	C42	3995.0	1201.9
88	C43	3995.0	1261.9
89	S0	3995.0	1321.9
90	S1	3870.0	1305.0
91	S2	3810.0	1305.0
92	S3	3750.0	1305.0
93	S4	3690.0	1305.0
94	S5	3630.0	1305.0
95	S6	3570.0	1305.0
96	S7	3510.0	1305.0
97	S8	3450.0	1305.0
98	S9	3390.0	1305.0
99	S10	3330.0	1305.0
100	S11	3270.0	1305.0

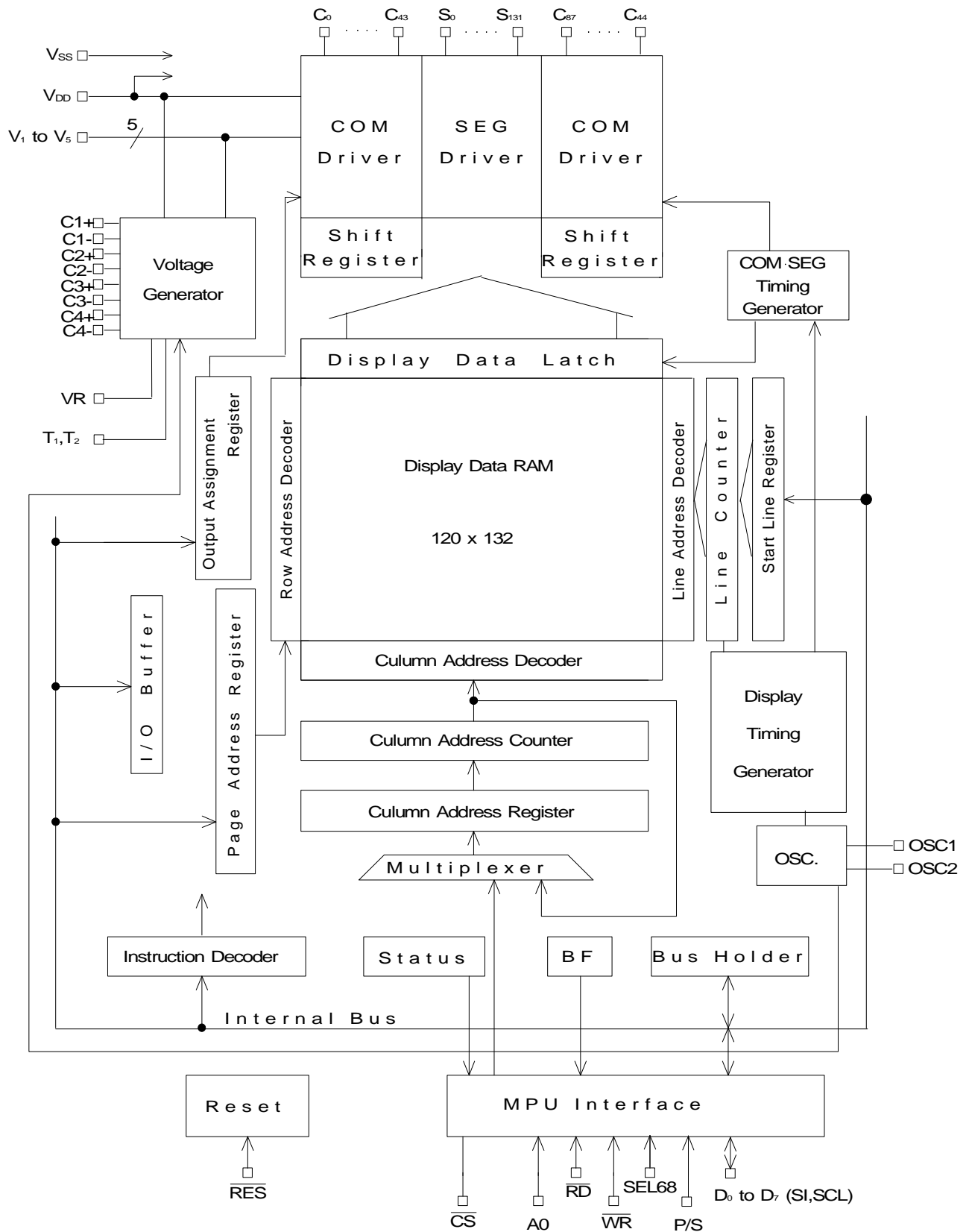
PAD No.	Terminal	X= um	Y= um
101	S12	3210.0	1305.0
102	S13	3150.0	1305.0
103	S14	3090.0	1305.0
104	S15	3030.0	1305.0
105	S16	2970.0	1305.0
106	S17	2910.0	1305.0
107	S18	2850.0	1305.0
108	S19	2790.0	1305.0
109	S20	2730.0	1305.0
110	S21	2670.0	1305.0
111	S22	2610.0	1305.0
112	S23	2550.0	1305.0
113	S24	2490.0	1305.0
114	S25	2430.0	1305.0
115	S26	2370.0	1305.0
116	S27	2310.0	1305.0
117	S28	2250.0	1305.0
118	S29	2190.0	1305.0
119	S30	2130.0	1305.0
120	S31	2070.0	1305.0
121	S32	2010.0	1305.0
122	S33	1950.0	1305.0
123	S34	1890.0	1305.0
124	S35	1830.0	1305.0
125	S36	1770.0	1305.0
126	S37	1710.0	1305.0
127	S38	1650.0	1305.0
128	S39	1590.0	1305.0
129	S40	1530.0	1305.0
130	S41	1470.0	1305.0
131	S42	1410.0	1305.0
132	S43	1350.0	1305.0
133	S44	1290.0	1305.0
134	S45	1230.0	1305.0
135	S46	1170.0	1305.0
136	S47	1110.0	1305.0
137	S48	1050.0	1305.0
138	S49	990.0	1305.0
139	S50	930.0	1305.0
140	S51	870.0	1305.0
141	S52	810.0	1305.0
142	S53	750.0	1305.0
143	S54	690.0	1305.0
144	S55	630.0	1305.0
145	S56	570.0	1305.0
146	S57	510.0	1305.0
147	S58	450.0	1305.0
148	S59	390.0	1305.0
149	S60	330.0	1305.0
150	S61	270.0	1305.0

PAD No.	Terminal	X= um	Y= um
151	S62	210.0	1305.0
152	S63	150.0	1305.0
153	S64	90.0	1305.0
154	S65	30.0	1305.0
155	S66	-30.0	1305.0
156	S67	-90.0	1305.0
157	S68	-150.0	1305.0
158	S69	-210.0	1305.0
159	S70	-270.0	1305.0
160	S71	-330.0	1305.0
161	S72	-390.0	1305.0
162	S73	-450.0	1305.0
163	S74	-510.0	1305.0
164	S75	-570.0	1305.0
165	S76	-630.0	1305.0
166	S77	-690.0	1305.0
167	S78	-750.0	1305.0
168	S79	-810.0	1305.0
169	S80	-870.0	1305.0
170	S81	-930.0	1305.0
171	S82	-990.0	1305.0
172	S83	-1050.0	1305.0
173	S84	-1110.0	1305.0
174	S85	-1170.0	1305.0
175	S86	-1230.0	1305.0
176	S87	-1290.0	1305.0
177	S88	-1350.0	1305.0
178	S89	-1410.0	1305.0
179	S90	-1470.0	1305.0
180	S91	-1530.0	1305.0
181	S92	-1590.0	1305.0
182	S93	-1650.0	1305.0
183	S94	-1710.0	1305.0
184	S95	-1770.0	1305.0
185	S96	-1830.0	1305.0
186	S97	-1890.0	1305.0
187	S98	-1950.0	1305.0
188	S99	-2010.0	1305.0
189	S100	-2070.0	1305.0
190	S101	-2130.0	1305.0
191	S102	-2190.0	1305.0
192	S103	-2250.0	1305.0
193	S104	-2310.0	1305.0
194	S105	-2370.0	1305.0
195	S106	-2430.0	1305.0
196	S107	-2490.0	1305.0
197	S108	-2550.0	1305.0
198	S109	-2610.0	1305.0
199	S110	-2670.0	1305.0
200	S111	-2730.0	1305.0

PAD No.	Terminal	X= um	Y= um
201	S112	-2790.0	1305.0
202	S113	-2850.0	1305.0
203	S114	-2910.0	1305.0
204	S115	-2970.0	1305.0
205	S116	-3030.0	1305.0
206	S117	-3090.0	1305.0
207	S118	-3150.0	1305.0
208	S119	-3210.0	1305.0
209	S120	-3270.0	1305.0
210	S121	-3330.0	1305.0
211	S122	-3390.0	1305.0
212	S123	-3450.0	1305.0
213	S124	-3510.0	1305.0
214	S125	-3570.0	1305.0
215	S126	-3630.0	1305.0
216	S127	-3690.0	1305.0
217	S128	-3750.0	1305.0
218	S129	-3810.0	1305.0
219	S130	-3870.0	1305.0
220	S131	-3995.0	1321.9
221	C87	-3995.0	1261.9
222	C86	-3995.0	1201.9
223	C85	-3995.0	1141.9
224	C84	-3995.0	1081.9
225	C83	-3995.0	1021.9
226	C82	-3995.0	961.9
227	C81	-3995.0	901.9
228	C80	-3995.0	841.9
229	C79	-3995.0	781.9
230	C78	-3995.0	721.9
231	C77	-3995.0	661.9
232	C76	-3995.0	601.9
233	C75	-3995.0	541.9
234	C74	-3995.0	481.9
235	C73	-3995.0	421.9
236	C72	-3995.0	361.9
237	C71	-3995.0	301.9
238	C70	-3995.0	241.9
239	C69	-3995.0	181.9
240	C68	-3995.0	121.9
241	C67	-3995.0	61.9
242	C66	-3995.0	1.9
243	C65	-3995.0	-58.1
244	C64	-3995.0	-118.1
245	C63	-3995.0	-178.1
246	C62	-3995.0	-238.1
247	C61	-3995.0	-298.1
248	C60	-3995.0	-358.1
249	C59	-3995.0	-418.1
250	C58	-3995.0	-478.1

PAD No.	Terminal	X= um	Y= um
251	C57	-3995.0	-538.1
252	C56	-3995.0	-598.1
253	C55	-3995.0	-658.1
254	C54	-3995.0	-718.1
255	C53	-3995.0	-778.1
256	C52	-3995.0	-838.1
257	C51	-3995.0	-898.1
258	C50	-3995.0	-958.1
259	C49	-3995.0	-1018.1
260	C48	-3995.0	-1078.1
261	C47	-3995.0	-1138.1
262	C46	-3995.0	-1198.1
263	C45	-3995.0	-1258.1
264	C44	-3995.0	-1318.1

■ BLOCK DIAGRAM



■ TERMINAL DESCRIPTION

No.	Symbol	I/O	Function																																								
1,41 to 44	DUMMY0 to DUMMY5		Dummy Terminals. These are open terminals electrically.																																								
2,33,40	VDD	Power	Power Supply Terminal (+2.4V - +3.6V)																																								
6,23	VSS	GND	Ground Terminal (0V)																																								
39 38 37 36 35	V1 V2 V3 V4 V5	Power	<p>LCD Driving Voltage Supplying Terminals. In case of the external power supply operation without internal power supply operation, each level of LCD driving voltage is supplied from outside fitting with following relation. $V_{DD} \geq V1 \geq V2 \geq V3 \geq V4 \geq V5 \geq V_{OUT}$</p> <p>In case of the internal power supply, LCD driving voltages V1-V4 depending on the Bias selection are supplied as shown in follows;</p> <table border="1" style="margin: 10px auto; border-collapse: collapse;"> <thead> <tr> <th>Bias</th> <th>V1</th> <th>V2</th> <th>V3</th> <th>V4</th> </tr> </thead> <tbody> <tr> <td>1/4Bias</td> <td>$V5+3/4V_{LCD}$</td> <td>$V5+2/4V_{LCD}$</td> <td>$V5+2/4V_{LCD}$</td> <td>$V5+1/4V_{LCD}$</td> </tr> <tr> <td>1/5Bias</td> <td>$V5+4/5V_{LCD}$</td> <td>$V5+3/5V_{LCD}$</td> <td>$V5+2/5V_{LCD}$</td> <td>$V5+1/5V_{LCD}$</td> </tr> <tr> <td>1/6Bias</td> <td>$V5+5/6V_{LCD}$</td> <td>$V5+4/6V_{LCD}$</td> <td>$V5+2/6V_{LCD}$</td> <td>$V5+1/6V_{LCD}$</td> </tr> <tr> <td>1/7Bias</td> <td>$V5+6/7V_{LCD}$</td> <td>$V5+5/7V_{LCD}$</td> <td>$V5+2/7V_{LCD}$</td> <td>$V5+1/7V_{LCD}$</td> </tr> <tr> <td>1/8Bias</td> <td>$V5+7/8V_{LCD}$</td> <td>$V5+6/8V_{LCD}$</td> <td>$V5+2/8V_{LCD}$</td> <td>$V5+1/8V_{LCD}$</td> </tr> <tr> <td>1/9Bias</td> <td>$V5+8/9V_{LCD}$</td> <td>$V5+7/9V_{LCD}$</td> <td>$V5+2/9V_{LCD}$</td> <td>$V5+1/9V_{LCD}$</td> </tr> <tr> <td>1/10Bias</td> <td>$V5+9/10V_{LCD}$</td> <td>$V5+8/10V_{LCD}$</td> <td>$V5+2/10V_{LCD}$</td> <td>$V5+1/10V_{LCD}$</td> </tr> </tbody> </table> <p>($V_{LCD}=V_{DD}-V5$)</p>	Bias	V1	V2	V3	V4	1/4Bias	$V5+3/4V_{LCD}$	$V5+2/4V_{LCD}$	$V5+2/4V_{LCD}$	$V5+1/4V_{LCD}$	1/5Bias	$V5+4/5V_{LCD}$	$V5+3/5V_{LCD}$	$V5+2/5V_{LCD}$	$V5+1/5V_{LCD}$	1/6Bias	$V5+5/6V_{LCD}$	$V5+4/6V_{LCD}$	$V5+2/6V_{LCD}$	$V5+1/6V_{LCD}$	1/7Bias	$V5+6/7V_{LCD}$	$V5+5/7V_{LCD}$	$V5+2/7V_{LCD}$	$V5+1/7V_{LCD}$	1/8Bias	$V5+7/8V_{LCD}$	$V5+6/8V_{LCD}$	$V5+2/8V_{LCD}$	$V5+1/8V_{LCD}$	1/9Bias	$V5+8/9V_{LCD}$	$V5+7/9V_{LCD}$	$V5+2/9V_{LCD}$	$V5+1/9V_{LCD}$	1/10Bias	$V5+9/10V_{LCD}$	$V5+8/10V_{LCD}$	$V5+2/10V_{LCD}$	$V5+1/10V_{LCD}$
Bias	V1	V2	V3	V4																																							
1/4Bias	$V5+3/4V_{LCD}$	$V5+2/4V_{LCD}$	$V5+2/4V_{LCD}$	$V5+1/4V_{LCD}$																																							
1/5Bias	$V5+4/5V_{LCD}$	$V5+3/5V_{LCD}$	$V5+2/5V_{LCD}$	$V5+1/5V_{LCD}$																																							
1/6Bias	$V5+5/6V_{LCD}$	$V5+4/6V_{LCD}$	$V5+2/6V_{LCD}$	$V5+1/6V_{LCD}$																																							
1/7Bias	$V5+6/7V_{LCD}$	$V5+5/7V_{LCD}$	$V5+2/7V_{LCD}$	$V5+1/7V_{LCD}$																																							
1/8Bias	$V5+7/8V_{LCD}$	$V5+6/8V_{LCD}$	$V5+2/8V_{LCD}$	$V5+1/8V_{LCD}$																																							
1/9Bias	$V5+8/9V_{LCD}$	$V5+7/9V_{LCD}$	$V5+2/9V_{LCD}$	$V5+1/9V_{LCD}$																																							
1/10Bias	$V5+9/10V_{LCD}$	$V5+8/10V_{LCD}$	$V5+2/10V_{LCD}$	$V5+1/10V_{LCD}$																																							
31,32 29,30 27,28 25,26	C1+,C1- C2+,C2- C3+,C3- C4+,C4-	O	Capacitor connecting terminals for Internal Voltage Booster.Boosting time is programmed by instruction (2 to 5 times)																																								
24	VOUT	O	Boosted voltage output terminal. Connects the capacitor between VOUT terminal and VSS.																																								
34	VR	I	VLCD voltage adjustment terminal. The gain of VLCD setup circuit for V5 level is adjusted by external resistors.																																								
8 7	T1 T2	I	<p>LCD bias voltage control terminals.</p> <table border="1" style="margin: 10px auto; border-collapse: collapse;"> <thead> <tr> <th>T1</th> <th>T2</th> <th>Voltage booster Cir.</th> <th>Voltage Adj.</th> <th>V/F Cir.</th> </tr> </thead> <tbody> <tr> <td>L</td> <td>L/H</td> <td>Available</td> <td>Available</td> <td>Available</td> </tr> <tr> <td>H</td> <td>L</td> <td>Not Avail.</td> <td>Available</td> <td>Available</td> </tr> <tr> <td>H</td> <td>H</td> <td>Not Avail.</td> <td>Not Avail.</td> <td>Available</td> </tr> </tbody> </table>	T1	T2	Voltage booster Cir.	Voltage Adj.	V/F Cir.	L	L/H	Available	Available	Available	H	L	Not Avail.	Available	Available	H	H	Not Avail.	Not Avail.	Available																				
T1	T2	Voltage booster Cir.	Voltage Adj.	V/F Cir.																																							
L	L/H	Available	Available	Available																																							
H	L	Not Avail.	Available	Available																																							
H	H	Not Avail.	Not Avail.	Available																																							
15 to 22	D0 to D7 (SI) (SCL)	I/O	<p>Data Input/Output terminals.</p> <p>In Pararel Interface Mode (P/S="H") I/O terminals of 8-bit bus.</p> <p>In Serial Interface Mode (P/S="L") D7: Input terminal of serial data (SI). D6: Input terminal of serial data clock (SCL). D0 to D5 terminals are Hi-impedance. When \overline{CS}="H", D0 to D7 terminals are Hi-impedance.</p>																																								
12	A0	I	<p>Data discremination signal input terminal. The signal from MPU discreminates transmitted data between Display data and Instruction.</p> <table border="1" style="margin: 10px auto; border-collapse: collapse;"> <thead> <tr> <th>A0</th> <th>H</th> <th>L</th> </tr> </thead> <tbody> <tr> <td>Distin.</td> <td>Display Data</td> <td>Instruction</td> </tr> </tbody> </table>	A0	H	L	Distin.	Display Data	Instruction																																		
A0	H	L																																									
Distin.	Display Data	Instruction																																									
5	\overline{RES}	I	Reset terminal. Reset operation is executing during "L" state of \overline{RES} .																																								
11	\overline{CS}	I	Chip select signal input terminal. Data Input/Output are available during \overline{CS} ="L".																																								

No	Symbol	I/O	Function																				
14	$\overline{RD}(E)$	I	RD(80 type) or E(68 type) signal input terminal. <In 80 type MPU mode >(SEL68="L") RD signal from 80 type MPU input terminal. Active "L". D0 to D7 terminals are output during "L" level. <In 68 type MPU mode >(SEL68="H") Enable signal from 68 type MPU input terminal. Active "H".																				
13	$\overline{WR}(RW)$	I	WR(80 type) or R/W(68 type) signal input terminal <In 80 type MPU mode >(SEL68="L") WR signal from 80 type MPU input terminal. Active "L". The data transmitted during WR="L" are fetched at the rising edge of \overline{WR} . <In 68 type MPU mode > (SEL68="H") R/W signal from 68 type MPU input terminal. <table border="1" style="margin: 10px auto; border-collapse: collapse;"> <tr> <td style="padding: 2px;">R/W</td> <td style="padding: 2px;">H</td> <td style="padding: 2px;">L</td> </tr> <tr> <td style="padding: 2px;">State</td> <td style="padding: 2px;">Read</td> <td style="padding: 2px;">Write</td> </tr> </table>	R/W	H	L	State	Read	Write														
R/W	H	L																					
State	Read	Write																					
4	SEL68	I	MPU interface type selection terminal. This terminal must connect to V _{DD} or V _{SS} . <table border="1" style="margin: 10px auto; border-collapse: collapse;"> <tr> <td style="padding: 2px;">SEL68</td> <td style="padding: 2px;">H</td> <td style="padding: 2px;">L</td> </tr> <tr> <td style="padding: 2px;">State</td> <td style="padding: 2px;">68 Type</td> <td style="padding: 2px;">80 Type</td> </tr> </table>	SEL68	H	L	State	68 Type	80 Type														
SEL68	H	L																					
State	68 Type	80 Type																					
3	P/S	I	Parallel or Serial interface selection signal input terminal. <table border="1" style="margin: 10px auto; border-collapse: collapse;"> <tr> <th style="padding: 2px;">P/S</th> <th style="padding: 2px;">Chip Select</th> <th style="padding: 2px;">Data/Command</th> <th style="padding: 2px;">Data</th> <th style="padding: 2px;">Read/Write</th> <th style="padding: 2px;">serial Clock</th> </tr> <tr> <td style="padding: 2px;">"H"</td> <td style="padding: 2px;">\overline{CS}</td> <td style="padding: 2px;">A</td> <td style="padding: 2px;">D0 to D7</td> <td style="padding: 2px;">$\overline{RD}, \overline{WR}$</td> <td style="padding: 2px;">-</td> </tr> <tr> <td style="padding: 2px;">"L"</td> <td style="padding: 2px;">\overline{CS}</td> <td style="padding: 2px;">A0</td> <td style="padding: 2px;">SI(D7)</td> <td style="padding: 2px;">-</td> <td style="padding: 2px;">SCL(D6)</td> </tr> </table> <p style="margin-top: 10px;">In case of serial interface(P/S="L") RAM data and status read operation do not work in mode of the serial interface. RD and WR terminals must fix to "H" or "L". D0 to D5 terminals are Hi-impedance.</p>	P/S	Chip Select	Data/Command	Data	Read/Write	serial Clock	"H"	\overline{CS}	A	D0 to D7	$\overline{RD}, \overline{WR}$	-	"L"	\overline{CS}	A0	SI(D7)	-	SCL(D6)		
P/S	Chip Select	Data/Command	Data	Read/Write	serial Clock																		
"H"	\overline{CS}	A	D0 to D7	$\overline{RD}, \overline{WR}$	-																		
"L"	\overline{CS}	A0	SI(D7)	-	SCL(D6)																		
9 10	OSC1 OSC2	I	External clock input terminal. In Internal oscillation operation, OSC1 and OSC2 terminals should be Open. In External clock operation, the external clock input to OSC1 terminal.																				
45 to 88	C0 to C43	O	LCD driving signal output terminals. Common output terminals:C 0 to C87 Segment output terminals:S 0 to S131 Common output terminal Following output voltage is selected by the combination of alternating (FR) signal and Common scanning data. <table border="1" style="margin: 10px auto; border-collapse: collapse;"> <tr> <th style="padding: 2px;">Scan data</th> <th style="padding: 2px;">FR</th> <th style="padding: 2px;">Output Voltage</th> </tr> <tr> <td rowspan="2" style="padding: 2px;">H</td> <td style="padding: 2px;">H</td> <td style="padding: 2px;">V₅</td> </tr> <tr> <td style="padding: 2px;">L</td> <td style="padding: 2px;">V_{DD}</td> </tr> <tr> <td rowspan="2" style="padding: 2px;">L</td> <td style="padding: 2px;">H</td> <td style="padding: 2px;">V₁</td> </tr> <tr> <td style="padding: 2px;">L</td> <td style="padding: 2px;">V₄</td> </tr> </table>	Scan data	FR	Output Voltage	H	H	V ₅	L	V _{DD}	L	H	V ₁	L	V ₄							
Scan data	FR	Output Voltage																					
H	H	V ₅																					
	L	V _{DD}																					
L	H	V ₁																					
	L	V ₄																					
89 to 220	S0 to S131	O	Segment output terminal Following output voltage is selected by the combination of alternating (FR) signal and display data in the DD RAM. <table border="1" style="margin: 10px auto; border-collapse: collapse;"> <tr> <th rowspan="2" style="padding: 2px;">RAM Data</th> <th rowspan="2" style="padding: 2px;">FR</th> <th colspan="2" style="padding: 2px;">Output Voltage</th> </tr> <tr> <th style="padding: 2px;">Normal</th> <th style="padding: 2px;">Reverse</th> </tr> <tr> <td rowspan="2" style="padding: 2px;">H</td> <td style="padding: 2px;">H</td> <td style="padding: 2px;">V_{DD}</td> <td style="padding: 2px;">V₂</td> </tr> <tr> <td style="padding: 2px;">L</td> <td style="padding: 2px;">V₅</td> <td style="padding: 2px;">V₃</td> </tr> <tr> <td rowspan="2" style="padding: 2px;">L</td> <td style="padding: 2px;">H</td> <td style="padding: 2px;">V₂</td> <td style="padding: 2px;">V_{DD}</td> </tr> <tr> <td style="padding: 2px;">L</td> <td style="padding: 2px;">V₃</td> <td style="padding: 2px;">V₅</td> </tr> </table>	RAM Data	FR	Output Voltage		Normal	Reverse	H	H	V _{DD}	V ₂	L	V ₅	V ₃	L	H	V ₂	V _{DD}	L	V ₃	V ₅
RAM Data	FR	Output Voltage																					
		Normal	Reverse																				
H	H	V _{DD}	V ₂																				
	L	V ₅	V ₃																				
L	H	V ₂	V _{DD}																				
	L	V ₃	V ₅																				
264 to 221	C44 to C87	O																					

■ Functional Description

(1) Description for each blocks

(1-1) Busy Flag (BF)

The Busy Flag (BF) is set to logical "1" in busy of internal execution by an instruction, and any instruction excepting for the "Status Read" is disable at this time. Busy Flag is outputted through D7 terminal by "Status Read" instruction. Although another instructions should be inputted after check of Busy Flag, no need to check Busy flag if the system cycle time (tCYC) as shown in ■AC Characteristics is secured completely.

(1-2) Display Start Line Register

The Display Start Line Register is a register to set a display data RAM address corresponding to the COM₀ display line (the top line normally) for the vertical scroll on the LCD, Page address change and so forth. The Display Start Line Address set instruction sets the 8-bit display start address into this register.

(1-3) Line Counter

Line Counter is reset when the internal FR signal is switched and outputs the line address of the display data RAM by count up operation synchronizing with common cycle of **NJU6677**.

(1-4) Column Address Counter

Column Address Counter is the 8-bit preset-able counter to point the column address of the display data RAM (DD RAM) as shown in Figure 1. The counter is incremented automatically after the display data read/write instructions execution. When the Column address counter reaches to the maximum existing address by the increment operations, the count up operation (increment) is frozen. However, when new address is set to the column address counter again, it restarts the count up operation from a set address. The operation of Column Address Counter is independent against Page Address Register.

By the address inverse instruction (ADC select) as shown in Figure 1, Column Address Decoder reverses the correspondence between Column address and Segment output of display data RAM.

(1-5) Page address Register

Page Address Register assigns the page address of the display data RAM as shown in Figure 1. In case of accessing from the MPU with changing the page address, Page Address Set instruction is required.

(1-6) Display Data RAM

The Display data RAM (DD RAM) is the bit map RAM consisting of 15,840 bits to store the display data corresponding to the LCD pixel on LCD panel.

The DD RAM data and the state of the LCD:

In Normal Display : "1"=Turn-On Display, "0" =Turn-Off Display

In Reverses Display : "1"=Turn-Off Display, "0" =Turn-On Display

DD RAM output 132 bits parallel data addressed by line address counter then the data latched in the display data latch. Asynchronous data access to the DD RAM is available due to the access to the DD RAM from the CPU and latch to the display data latch operation are done independently.

(1-7) Common Driver Assignment

This circuit determines the scanning direction of the common output.

Table 1

		COM Outputs Terminals			
PAD No.	45	88	221	264	
Pin name	C ₀	C ₄₃	C ₈₇	C ₄₄	
Ver.A	COM ₀ →	COM ₄₃	COM ₈₇ ←	COM ₄₄	
Ver.B	COM ₈₈ ←	COM ₄₄	COM ₀ →	COM ₄₃	

The Mask fixes the common scanning direction between version A and B that can not be changed by the instruction.

Page Address	DATA	Display Pattern	Line Address
D3,D2,D1,D0 (0,0,0,0)	D0		00
	D1		01
	D2		02
	D3		03
	D4		04
	D5		05
	D6		06
	D7		07
D3,D2,D1,D0 (0,0,0,1)	D0		08
	D1		09
	D2		0A
	D3		0B
	D4		0C
	D5		0D
	D6		0E
	D7		0F
D3,D2,D1,D0 (0,0,1,0)	D0		10
	D1		11
	D2		12
	D3		13
	D4		14
	D5		15
	D6		16
	D7		17
D3,D2,D1,D0 (1,1,0,0)	D0		18
	D1		19
	D2		20
	D3		21
	D4		22
	D5		23
	D6		24
	D7		25
D3,D2,D1,D0 (1,1,0,1)	D0		26
	D1		27
	D2		28
	D3		29
	D4		30
	D5		31
	D6		32
	D7		33
D3,D2,D1,D0 (1,1,1,0)	D0		34
	D1		35
	D2		36
	D3		37
	D4		38
	D5		39
	D6		40
	D7		41

For example the Display start line is 10H

Cn Out
C0
C1
C2
C3
C4
C5
C6
C7
C8
C9
...
C78
C79
C80
C81
C82
C83
C84
C85
C86
C87

Column Address	A D C	D0="0"										D0="1"									
		00	01	02	03	04	05	06	07	08	09	7A	7B	7C	7D	7E	7F	80	81	82	83
		83	82	81	80	7F	7E	7D	7C	7B	7A	09	08	07	06	05	04	03	02	01	00
	Segment Output	0	1	2	3	4	5	6	7	8	9	122	123	124	125	126	127	128	129	130	131

Fig.1 Correspondence with Display Data RAM Address

(1-8) Reset Circuit

When the input signal to $\overline{\text{RES}}$ terminal goes to "L", the reset circuit executes initialization as below;

The Initialization state (default)

- 1 Display Off
- 2 Normal Display (not inverse)
- 3 ADC Select : Normal (ADC Instruction D₀ ="0")
- 4 Read Modify Write Mode Off
- 5 Voltage Booster off, Voltage Regulator off, Voltage follower off
- 6 Static Drive Off
- 7 Driver Output Off
- 8 Clear the data of serial interface register
- 9 Set the Column Address Counter to 00H
- 10 Set the Display Start Line Register to 00H
- 11 Set the Page Address Register to page "0"
- 12 Set the EVR register to FFH
- 13 Set the Partial Display(1/88 duty)
- 14 Set the Bias select(1/10 Bias)
- 15 Set the Voltage Booster(5 times)
- 16 Set the n-line inverse register to 0H

The $\overline{\text{RES}}$ terminal connects to the reset terminal of the MPU synchronization with the MPU initialization as shown in "the MPU interface" in the Application Circuit section. The "L" level input signal as reset signal must keep the period over than 10 μ s as shown in DC Characteristics. The NJU6677 takes 1 μ s for the reset operation after the rising edge of the $\overline{\text{RES}}$ signal.

The reset operation by $\overline{\text{RES}} = \text{"L"}$ initializes each register setting as above reset status, but the internal oscillation circuit and output terminals (D₀ to D₇) are not affected.

To avoid the lock-up, the reset operation by the $\overline{\text{RES}}$ terminal must be required every time when power turns on.

The reset operation by the reset instruction, function 9 to 16 operations mentioned above is performed.

The $\overline{\text{RES}}$ terminal must be keep "L" level when the power turns on in not use of the built-in LCD power supply circuit for no affect to the internal execution.

(1-9) LCD Driving Circuit

(a) LCD Driving Circuits

LCD driver is 220 sets of multiplexer consisting of 132 segments and 88 commons drivers to output LCD driving voltage. The common driver outputs the common scan signals formed with the shift register. The segment driver outputs the segment driving signal determined by a combination of display data in the DD RAM, common timing, FR signal, and alternating signal for LCD. The output wave forms of segment/common are shown in ■LCD DRIVING WAVEFORM.

(b) Display Data Latch Circuits

Display Data Latch Circuit latches the 132-bit display data outputted from the DD RAM addressed by the Line address counter to LCD driver at every common signal cycle temporarily. The original data in the DD RAM is not changed because of the Normal/Reverse display, Display On/Off, Static drive On/Off instruction processes only stored data in this Display Data Latch Circuit.

(c) Signal forming to Line Counter and Display Data Latch Circuit

The count clock to Line Counter and the latch clock to Display Data Latch Circuit are formed using the internal display clock (CL). The display data of 132 bits from Display Data RAM pointed by the line address synchronizing with the internal display clock are latched into the Display Data Latch Circuit and are outputted to LCD driving circuits.

The display data read out operation from DD RAM to the LCD Driver Circuit is completely independent operation with an access to the display data RAM from MPU.

(d) Display Timing Generation Circuit

The display timing generation circuit generates the internal timing of the display system by the master clock and the internal FR signal. As for it, the internal FR signal and the LCD alternating signal generate the wave form of 2-frame alternating drive wave form or the n-line inverse drive method for the LCD Driving circuit.

(e) Common Timing Generator

The Common Timing Generator generates the common timing signal from the display clock (CL).

-2-frame alternating drive mode

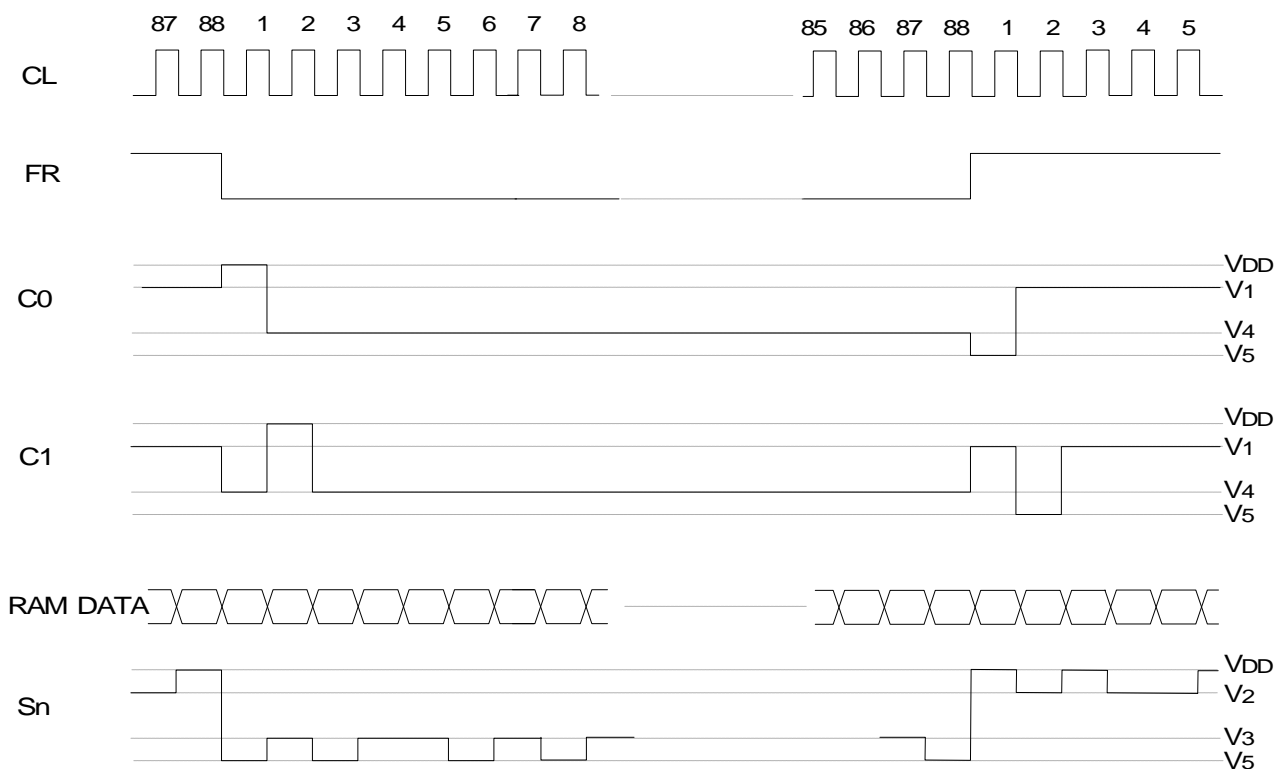


Fig.2

-n-line inverse drive mode (n=7, line inverting register sets to 6)

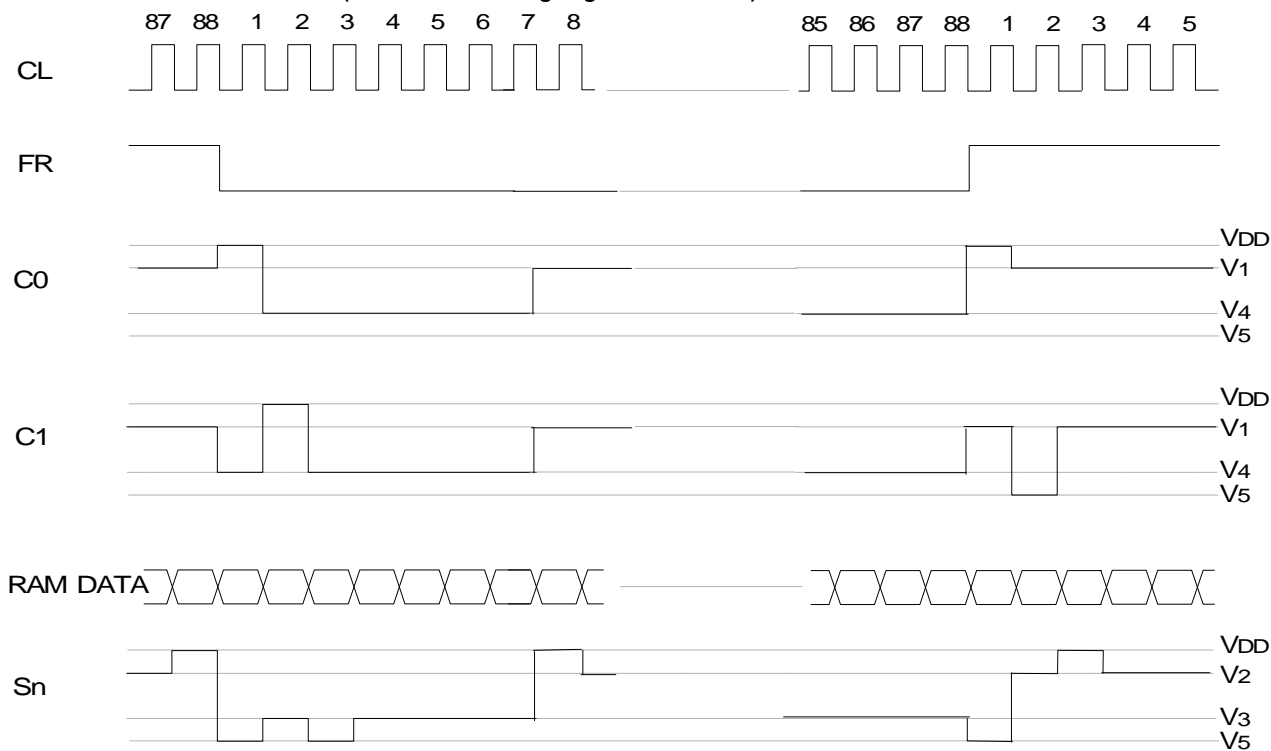


Fig.3

(f) Oscillation Circuit

The Oscillation Circuit is a low power type CR oscillator using an internal resistor and capacitor. The oscillator output is using for the display timing clock and for the voltage booster circuit. And the display clock(CL) is generated from this oscillator output frequency by dividing.

-The relation between duty and divide

Table 2

Duty	1/8	1/16	1/24	1/32	1/40	1/48	1/56,64	1/72	1/80,88
Divide	1/44	1/22	1/15	1/11	1/9	1/7	1/6	1/5	1/4

(g) Power Supply Circuit

The internal power supply circuit generates the voltage for driving LCD. It consists of voltage booster circuits (from 2 times to 5 times), voltage regulator circuits, and voltage followers.

The operation of internal Power Supply Circuits is controlled by the Internal Power Supply On/Off Instruction. When the Internal Power Supply Off Instruction is executed, all of the voltage booster circuits, regulator circuits, voltage follower circuits are turned off. In this time, the bias voltage of V1, V2, V3, V4, V5 and VOUT for the LCD should be supplied from outside, terminals C1+, C1-, C2+, C2-, C3+, C3-, C4+, C4-, and VR should be open. The status of internal power supply is selected by T1 and T2 terminal. Furthermore the external power supply operates with some of internal power supply function.

Table 3

T1	T2	Voltage Booster	Voltage Adj.	Buffer(V/F)	Ext.Pow Supply	C1+,C1- to C4+,C4-	VR Term.
L	L/H	ON	ON	ON	-		
H	L	OFF	ON	ON	VOUT	Open	
H	H	OFF	OFF	ON	V5,VOUT	Open	Open

When (T1, T2)=(H, L), C1+, C1-, C2+, C2-, C3+, C3-, C4+, C4- terminals for voltage booster circuits are open because the voltage booster circuits doesn't operate. Therefore LCD driving voltage to the VOUT terminal should be supplied from outside.

When (T1, T2)=(H, H), terminals for voltage booster circuits and VR are open, because the voltage booster circuits and Voltage adjust circuits do not operate.

The internal power supply Circuits is designed specially for a small-size LCD like as normal cellular phone size LCD panel. When NJU6677 apply to the large size LCD panel application (large capacitive load), external power supply is required to keep good display condition..

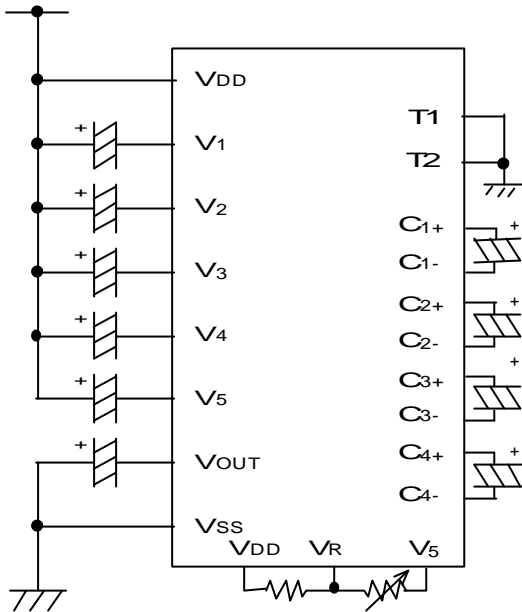
To keep good display condition, external component of the capacitors connecting to the V1 to V5 terminals and voltage booster circuits and the feedback resistors for the V5 operational amplifier must fix each optimized constant after checking various display patterns on LCD panel actually in the application.

○Power Supply applications

(1) Internal Power Supply Example.

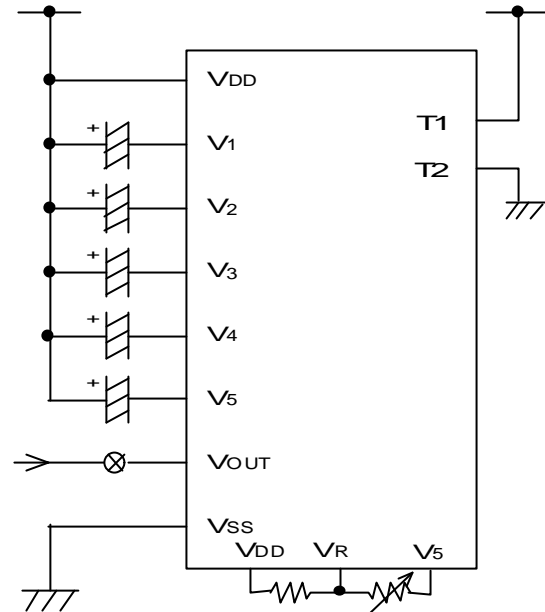
All of the Internal Booster, Voltage Regulator, Voltage Follower using.

Internal power supply ON (instruction) (T1,T2)=(L,L)



(2) Only VOUT Supply from outside Example.

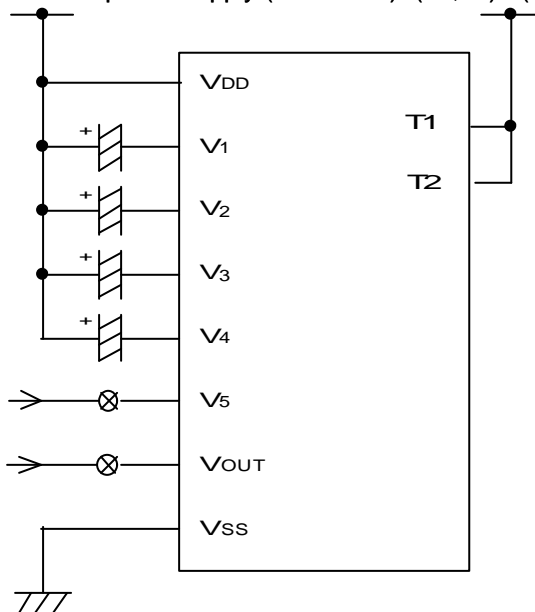
Internal Voltage Regulator, Voltage Follower using Internal power supply ON (Instruction) (T1,T2) = (H,L)



(3) VOUT and V5 supply from outside Example.

Internal Voltage Follower using.

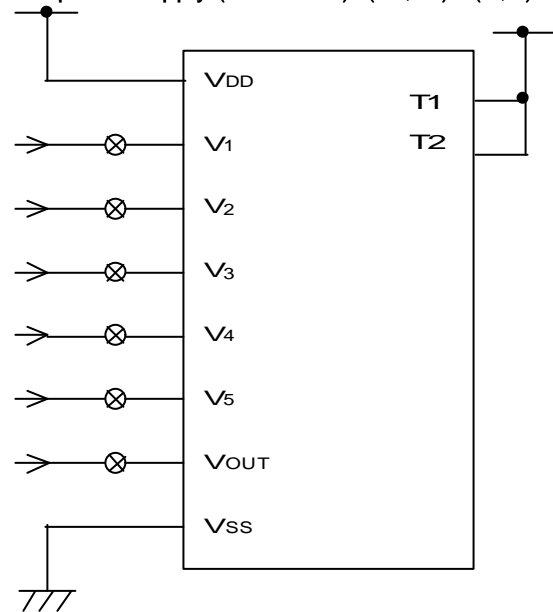
Internal power supply (Instruction) (T1,T2) =(H,H)



(4) External Power Supply Example

All of V1 to V5 and VOUT supply from outside

Internal power supply (Instruction) (T1,T2) =(H,H)



⊗ : These switches should be open during the power save mode.

(2) Instruction

The **NJU6677** distinguishes the data on the data bus D0 to D7 as an instruction by combination of A0, \overline{RD} , and \overline{WR} (R/W) signals. The decoding of the instruction and execution performs with only high speed internal timing without relation to the external clock. Therefore, no busy flag check required normally. In case of the serial interface, the data input as MSB(D7) first serially. Table.4 shows the instruction codes of the **NJU6677**.

Table 4. Instruction Code

(*:Don't Care)

Instruction	Code											Description	
	A0	\overline{RD}	\overline{WR}	D7	D6	D5	D4	D3	D2	D1	D0		
(a) Display ON/OFF	0	1	0	1	0	1	0	1	1	1	0/1	LCD Display ON/OFF 0:OFF 1:ON	
(b) Display Start Line Set	Display Start Line Set High Order 4bits	0	1	0	0	1	0	1	High Order Address			Determine the Display Line of RAM to the COM0. (Set the Higher order 4bits)	
	Display Start Line Set Lower Order 4bits	0	1	0	0	1	1	0	Lower Order Address			Determine the Display Line of RAM to the COM0. (Set the Lower order 4bits)	
(c) Page Address Set	Page Address Set High Order 1bits	0	1	0	0	1	0	0	*	*	*	Hi.	Set the Higher order 1bit page of DD RAM to the Page Address Register
	Page Address Set Lower Order 4bits	0	1	0	1	1	0	0	Lower Order Page Address			Set the Lower order 4 bit page of DD RAM to the Page Address Register	
(d) Column Address Set	Column Address Set High Order 4bits	0	1	0	0	0	0	1	High Order Column Add.			Set the Higher order 4 bits Column Address to the Reg.	
	Column Address Set Lower Order 4bits	0	1	0	0	0	0	0	Lower Order Column Add.			Set the Lower order 4 bits Column Address to the Reg.	
(e) Status Read	0	0	1	Status				0	0	0	0	Read out the internal Status	
(f) Write Display Data	1	1	0	Write Data							Write the data into the Display Data RAM		
(g) Read Display Data	1	0	1	Read Data							Read the data from the Display Data RAM		
(h) Normal or Inverse ON/OFF Set	0	1	0	1	0	1	0	0	1	1	0/1	Inverse the ON and OFF Display 0:Normal 1:Inverse	
(i) Static Drive ON /Normal Display	0	1	0	1	0	1	0	0	1	0	0/1	Whole Display Turns ON 0:Normal 1:Whole Disp. ON	
(j) Sub instruction table mode	0	1	0	0	1	1	1	0	0	0	0	Set the Sub instruction table.	
Sub inst.	(k) Partial Display												
	1st Block, Set Start display unit	0	1	0	0	0	0	0	Start display unit			Set the Start display unit of 1st Block.	
	1st Block, Set The number of display units	0	1	0	0	0	0	1	number of display units			Set the number of display units of 1st Block.	
	2nd Block, Set Start display unit	0	1	0	0	0	1	0	Start display unit			Set the Start display unit of 2nd Block.	
	2nd Block, Set The number of display units	0	1	0	0	0	1	1	number of display units			Set the number of display units of 2nd Block.	
	Partial display on	0	1	0	0	1	0	0	0	0	0	0	It comes off the mode to set and a display is executed.
	(l)n-line Inverse Drive Set												
	Register Set Higher order 2 bits	0	1	0	0	1	0	1	*	*	higher order		Set the number of inverse drive line.
	Register Set Lower order 4 bits	0	1	0	0	1	1	0	Lower order			Set the number of inverse drive line.	
	n-line Inverse Drive Set is executed.	0	1	0	0	1	1	1	0	0	0	0	The execution of the line inverse drive.
	(m) EVR Register Set												
	EVR Register Set Higher order 4 bits	0	1	0	1	0	0	0	EVR Data Higher order			Set the V5 output level to the EVR register. (Higher order 4 bits)	
	EVR Register Set Lower order 4 bits	0	1	0	1	0	0	1	EVR Data Lower order			Set the V5 output level to the EVR register. (Lower order 4 bits)	
	EVR Register Set is executed.	0	1	0	1	0	1	0	0	0	0	0	The execution of the EVR.
	(n) End of sub instruction table mode	0	1	0	0	1	1	1	0	0	0	1	It ends the setting of sub instruction table.

(*:Don't Care)

Instruction		Code											Description
		A0	\overline{RD}	\overline{WR}	D7	D6	D5	D4	D3	D2	D1	D0	
(o)	Bias Select	0	1	0	1	0	1	1	*	Bias			Select the bias (7 Patterns)
(p)	Boost Level Select	0	1	0	0	0	1	1	0	0	Boost Multiple		Set the Booster circuits
(q)	Read Modify Write /End	0	1	0	1	1	1	0	0	0	0	0/1	Read Modify Write mode D0=0:On D0=1:End
(r)	Reset	0	1	0	1	1	1	0	0	0	1	0	Initialize the internal Circuits
(s)	Internal Power Supply ON/OFF	0	1	0	0	0	1	0	0	0	0	0/1	0:Int. Power Supply OFF 1:Int. Power Supply ON
(t)	Driver Outputs ON/OFF	0	1	0	0	0	1	0	0	0	1	0/1	D0=0: LCD Driver Outputs OFF D0=1: LCD Driver Outputs ON
(u)	Power Save (Complex Command)	0	1	0	1	0	1	0	1	1	1	0	Set the Power Save Mode (LCD Display OFF +Static Drive ON)
		0	1	0	1	0	1	0	0	1	0	1	
(v)	ADC Select	0	1	0	1	0	1	0	0	0	0	0/1	Set the DD RAM vs Segment D0=0:Normal D0=1:Inverse

(2-1) Explanation of Instruction Code

(a) Display On/Off

It executes the ON/OFF control of the whole display without relation to the DD RAM or any internal conditions.

A0	\overline{RD}	\overline{WR}	D7	D6	D5	D4	D3	D2	D1	D0
0	1	0	1	0	1	0	1	1	1	D

D 0:Display Off

1:Display On

(b) Display Start Line

It sets the DD RAM line address corresponding to the COM0 terminal (normally assigned to the top display line). In this instruction execution, the display area is automatically set by the lines that correspond to the display duty ratio to the upward direction of the line address. Changing the line address by this instruction performs smooth scrolling to a vertical direction. In this time, the DD RAM data are unchanged.

A0	\overline{RD}	\overline{WR}	D7	D6	D5	D4	D3	D2	D1	D0
0	1	0	0	1	0	1	A7	A6	A5	A4

0	1	0	0	1	1	0	A3	A2	A1	A0
---	---	---	---	---	---	---	----	----	----	----

A7	A6	A5	A4	A3	A2	A1	A0	Line Address(HEX)
0	0	0	0	0	0	0	0	00
0	0	0	0	0	0	0	1	01
			:					:
			:					:
0	1	1	1	0	1	1	1	77

(c) Page Address Set

When MPU access to the DD RAM, a page address is set by page Address Set instruction before writing the data. (Note: the change of page address is not affected to the display.)

A0	\overline{RD}	\overline{WR}	D7	D6	D5	D4	D3	D2	D1	D0
0	1	0	0	1	0	0	*	*	*	A4

0	1	0	1	1	0	0	A3	A2	A1	A0
---	---	---	---	---	---	---	----	----	----	----

(*:Don't Care)

A4	A3	A2	A1	A0	Page
0	0	0	0	0	0
0	0	0	0	1	1
		:			:
		:			:
0	1	1	1	0	14

(d) Column Address

When MPU accesses to the DD RAM , the row address set by Page Address Set instruction is required with the column address before writing the data. The column address set requires twice address set which are higher order 4 bits address set and lower order 4 bits.

When the MPU access to the DD RAM continuously, the column address increments automatically from the set address after each data access. Therefore, the MPU can transmit only the Data continuously without setting the column address at every transmission time. The increment of column address is stopped at the maximum column address plus 1 limited by each display mode. When the column address count up is stopped, the row address is not changed.

A 0	\overline{RD}	\overline{WR}	D 7	D 6	D 5	D 4	D 3	D 2	D 1	D 0	
0	1	0	0	0	0	1	A 7	A 6	A 5	A 4	Higher Order
0	1	0	0	0	0	0	A 3	A 2	A 1	A 0	Lower Order

A 7	A 6	A 5	A 4	A 3	A 2	A 1	A 0	Column Address(HEX)
0	0	0	0	0	0	0	0	0
0	0	0	0	0	0	0	1	1
				:				:
				:				:
1	0	0	0	0	0	1	1	83

(e) Status Read

This instruction reads out the internal status of "BUSY", "ADC", "ON/OFF" and "RESET" described as follows.

A 0	\overline{RD}	\overline{WR}	D 7	D 6	D 5	D 4	D 3	D 2	D 1	D 0
0	0	1	BUSY	ADC	ON/OFF	RESET	0	0	0	0

BUSY : BUSY=1 indicate the operating or the Reset cycle.

All instructions can be input after the BUSY status change to "0".

ADC : Indicate the output correspondence of column (segment) address and segment driver.

0 : Counterclockwise Output (Inverse)

1 : Clockwise Output (Normal)

(Note) The data "0=Inverse" and "1=Normal" of ADC status is inverted with the ADC select Instruction of "1=Inverse" and "0=Normal".

ON/OFF : Indicate the whole display On/Off status.

0 : Whole Display "On"

1 : Whole Display "Off"

(Note) The data "0=On" and "1=Off" of Display On/Off status is inverted with the Display On/Off instruction data of "1=On" and "0=Off".

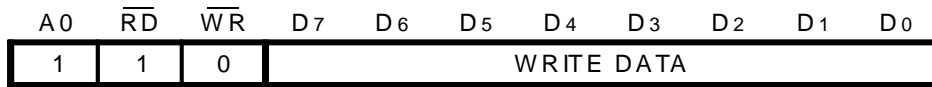
RESET : Indicate the initializing by \overline{RES} terminal signal or reset instruction.

0 : Not Reset status

1 : In the Reset status

(f) Write Display Data

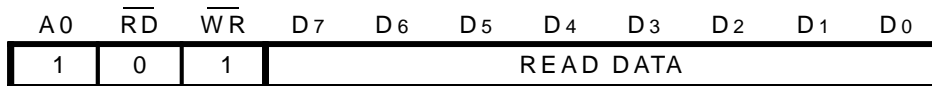
It writes the data on the data bus into the DD RAM. column address increments automatically after data writing, therefore, the MPU can write the data into the DD RAM continuously without the address setting at every writing time once the starting address is set.



(g) Read Display Data

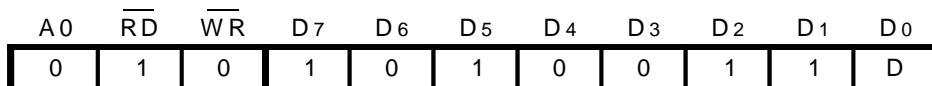
This instruction reads out the 8-bit data from DD RAM addressed by the column and the page address. The column address automatically increments after the 8-bit data read out, therefore, the MPU can read the data from the DD RAM continuously without the address setting at every reading time once the starting address is set. Note that the dummy read is required just after setting the column address (see "(4-4) Access to the DD RAM and the Internal Register").

In the serial interface mode, the display data is unable to read out.



(h) Normal or Inverse On/Off Set

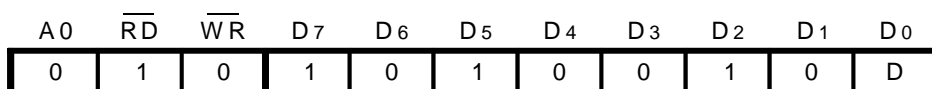
It changes the display condition of normal or reverse for entire display area. The execution of this instruction does not change the display data in the DD RAM.



D 0 : Normal RAM data "1" correspond to "On"
 1 : Inverse RAM data "0" correspond to "On"

(i) Static Drive

This instruction turns all the pixels ON regardless the data stored in the DD RAM. In this time, the data in DD RAM are remained and unchanged. This instruction is executed prior to the "Normal or Inverse On/Off Set" Instruction.



D 0 : Normal Display
 1 : Whole Display turns On

When the "Static Drive ON" instruction is executed at Display OFF status, the **NJU6677** operates in Power Save Mode. (Refer "Power Save Mode")

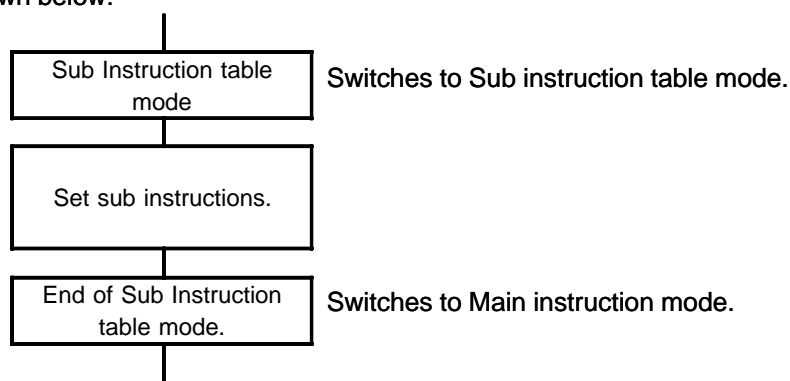
(j) Sub Instruction table mode

This instruction switches the instruction table from the main to the sub. The sub instruction table contains instructions of partial display, n-line inverse drive set and EVR register set as mentioned in (k), (l) and (m).

The instruction of sub instruction table mode must be executed before above 3 sub instructions execution. The instruction of end of sub instruction table mode (n) switches the instruction table from the sub to the main. If any main instructions are written in the sub instruction mode, the **NJU6677** will malfunction.

A0	\overline{RD}	\overline{WR}	D7	D6	D5	D4	D3	D2	D1	D0
0	1	0	0	1	1	1	0	0	0	0

-Set sub Instruction table flow is shown below:



(k) Partial Display

It selects two active display areas on the LCD Panel partially. The display area is divided to 11 units with four commons each and selected two display blocks by setting Unit number and number of Unit required (not overlap, not over than 11 units) to display on the LCD panel. These two display blocks are assigned optionally on the LCD panel. Duty selects an adapted ratio number corresponding to the total number of two display blocks automatically.

Partial Display function adjusts the LCD driving voltage, Voltage boosting times and E.V.R level by the instruction to generate the optimum LCD driving voltage for display quality. As result, the operating current is reduced.

- Display Unit Structure

UNIT	0	(8 commons)
UNIT	1	
UNIT	2	
UNIT	3	
UNIT	4	
UNIT	5	
UNIT	6	
UNIT	7	
UNIT	8	
UNIT	9	↓
UNIT	10	(8 commons)

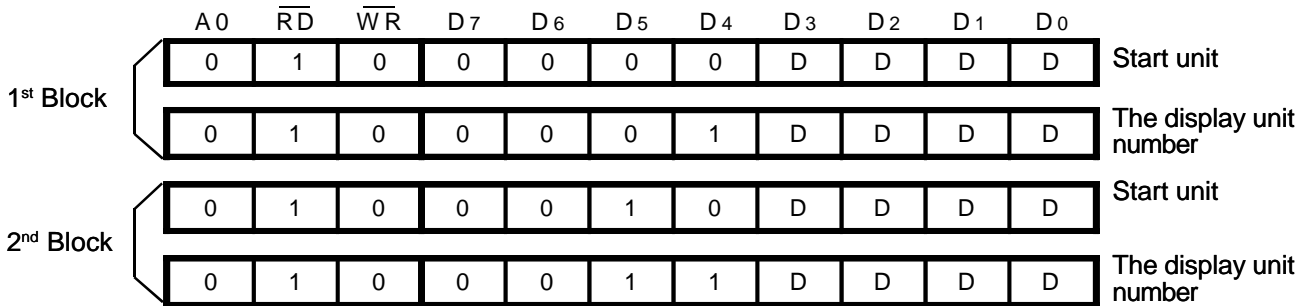
88-common

132-segment

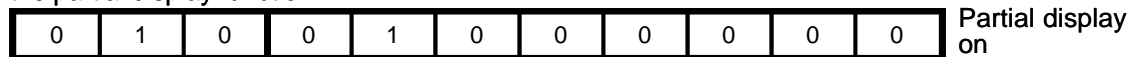
Partial display instruction

When Partial Display functions, both of Top Unit Number of display area (the Start Unit) and the number of the effective continuous unit (Display Unit) from the Start Unit for the first display block and the second. Attention that the first display block and the second definition must not be overlap of display area and not be over than 11 units in total.

In case of whole display (1/88 duty), the first display block defines Start Unit=0 (0,0,0,0) and Display Unit = 11 (1,0,1,1) for all of display area selection. In this time, the definition of the second display block is ignored. In case of only the first block display, the second display block defines Start Unit=0 (0,0,0,0) and Display Unit = 0 (0,0,0,0) for no display area.



By input following instruction, the duty ratio is changed automatically and executes the partial display function.

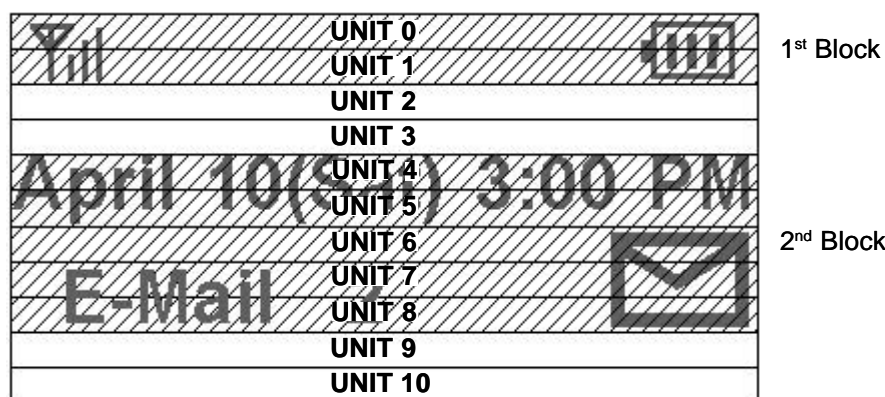


D :unit number (Hex.)

Notes) Attention followings due to prevent from malfunction

- The input order of Partial Display instructions must follow above.
- Prohibits the overlap of the 1st partial display block and the 2nd.
- The Start Unit of the 1st partial display block must not be over 10.
- The total Display Unit Number (the sum of the 1st and 2nd partial display block Unit Number) must not be over 11.
- On the LCD panel, no active display area inserts between the 1st display block and the 2nd. However, the display data of the 1st display block and the 2nd must store continuously in the display data RAM.

Example of the Partial Display setting.



The above partial display condition is set as follows:

1) Set sub instruction mode

A0	\overline{RD}	\overline{WR}	D7	D6	D5	D4	D3	D2	D1	D0	
0	1	0	0	1	1	1	0	0	0	0	Set sub instruction mode.

2) Set partial display conditions

A0	\overline{RD}	\overline{WR}	D7	D6	D5	D4	D3	D2	D1	D0	
0	1	0	0	0	0	0	0	0	0	0	1st Block, Set start unit to "0"
0	1	0	0	0	0	1	0	0	1	0	1st Block, Set the display unit number to "2"
0	1	0	0	0	1	0	0	1	0	0	2nd Block, Set start unit to "4"
0	1	0	0	0	1	1	0	1	0	1	2nd Block, Set the display units number to "5"
0	1	0	0	1	0	0	0	0	0	0	Execute Partial display.

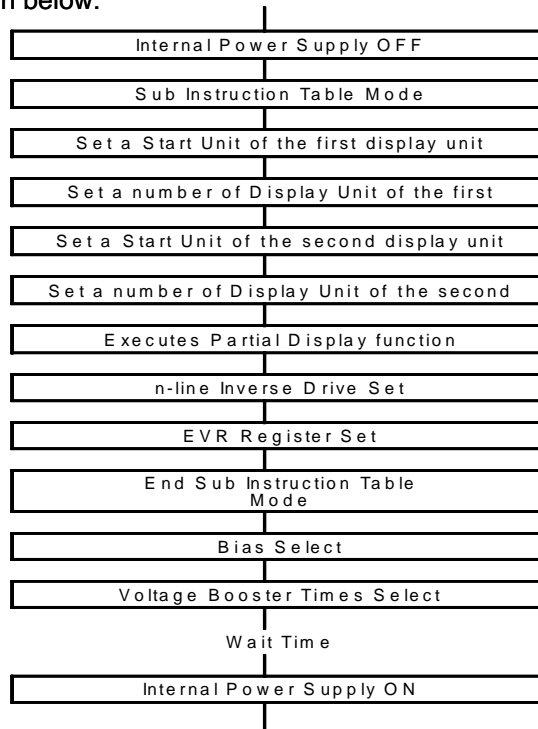
The Duty is changed to 1/56 automatically.

3) End sub instruction mode

A0	\overline{RD}	\overline{WR}	D7	D6	D5	D4	D3	D2	D1	D0	
0	1	0	0	1	1	1	0	0	0	1	End sub instruction mode. Back to main instruction mode.

Duty is changed automatically when Partial Display execution. But LCD Driving Voltage, Bias, Driving form like as 2-frame alternating driving or n-line inverse are not changed. Therefore, Display Off should operate before Partial Display execution for prevention of unexpected display, and Voltage Booster Select instruction, E.V.R Register Set, Bias Select and n-line Inverse Driving Set should set optimum conditions for good display in the mean time of Partial Display instruction execution. The optimum conditions should fix referring the result of actual display evaluation.

-Set Partial Display flow is shown below:



(l) n-line Inverse Drive Mode

n-Line Inverse Register Set (refer +Functional Description Fig.3 n-line Inverse alternative drive mode)

It sets a line number to inverse the polarity of common driver and segment.

The instructions must be input in order of followings. These instructions are sub instruction sets and must be set after (j)Sub instruction table mode.

1)Set sub instruction mode

A0	\overline{RD}	\overline{WR}	D7	D6	D5	D4	D3	D2	D1	D0	Set sub instruction mode.
0	1	0	0	1	1	1	0	0	0	0	

2)Set n-line Inverse number

A0	\overline{RD}	\overline{WR}	D7	D6	D5	D4	D3	D2	D1	D0	Higher order
0	1	0	0	1	0	1	*	*	A5	A4	
0	1	0	0	1	1	0	A3	A2	A1	A0	Low order

A5	A4	A3	A2	A1	A0	Inverse line	(*:2-frame alternating drive mode.)
0	0	0	0	0	0	-(*)	
0	0	0	0	0	1	2	
:						:	
1	1	1	1	1	1	64	

3)Execute the n-line Inverse

A0	\overline{RD}	\overline{WR}	D7	D6	D5	D4	D3	D2	D1	D0
0	1	0	0	1	1	1	0	0	0	0

4)End sub instruction mode

A0	\overline{RD}	\overline{WR}	D7	D6	D5	D4	D3	D2	D1	D0	End sub instruction mode. Back to main instruction mode.
0	1	0	0	1	1	1	0	0	0	1	

(m) EVR Register Set

It controls the voltage regulator circuit of the internal LCD power supply to adjust the LCD display contrast by changing the LCD driving voltage "V5". By data setting into the EVR register, the LCD driving voltage "V5" selects out of 201 steps of regulated voltage. The voltage adjustable range of "V5" is fixed by the external resistors. For details, refer the section "(3-2) Voltage Adjust Circuits".

1) Set sub instruction mode

A0	\overline{RD}	\overline{WR}	D7	D6	D5	D4	D3	D2	D1	D0	Set sub instruction mode.
0	1	0	0	1	1	1	0	0	0	0	

2) Set EVR Register

A0	\overline{RD}	\overline{WR}	D7	D6	D5	D4	D3	D2	D1	D0
0	1	0	1	0	0	0	A7	A6	A5	A4
0	1	0	1	0	0	1	A3	A2	A1	A0

A7	A6	A5	A4	A3	A2	A1	A0	VLCD
0	0	1	1	0	1	1	1	Low
			⋮					⋮
1	1	1	1	1	1	1	1	High

$V_{LCD} = V_{DD} - V_5$

When EVR doesn't use, set the EVR register to (1,1,1,1,1,1,1,1).

3) Execute the EVR

A0	\overline{RD}	\overline{WR}	D7	D6	D5	D4	D3	D2	D1	D0
0	1	0	1	0	1	0	0	0	0	0

4) End sub instruction mode

A0	\overline{RD}	\overline{WR}	D7	D6	D5	D4	D3	D2	D1	D0	End sub instruction mode. Back to main instruction mode.
0	1	0	0	1	1	1	0	0	0	1	

(n) End of Sub instruction table mode

"End of sub instruction table mode" instruction switches instruction table from sub to main.

(k) Partial display, (l) n-line inverse drive mode, and (m) EVR are sub instruction sets on the sub instruction table. The instruction of "END of sub instruction mode" must be set after these sub instruction sets. The **NJU6677** may occur incorrect operation if any main instructions on the main instruction table are input in mode of sub instruction table.

A0	\overline{RD}	\overline{WR}	D7	D6	D5	D4	D3	D2	D1	D0
0	1	0	0	1	1	1	0	0	0	1

(o) Bias Select

This instruction sets the bias voltage.

A0	\overline{RD}	\overline{WR}	D7	D6	D5	D4	D3	D2	D1	D0
0	1	0	1	0	1	1	*	A2	A1	A0

(*:Don't Care)

A2	A1	A0	Bias
0	0	0	1/4
0	0	1	1/5
0	1	0	1/6
0	1	1	1/7
1	0	0	1/8
1	0	1	1/9
1	1	*	1/10

(p) Boost Level Select

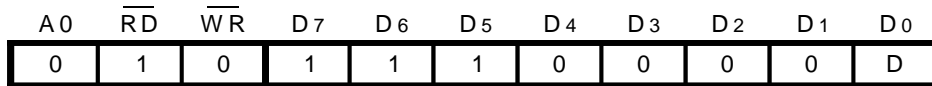
This instruction sets the boost level (2 to 5 times). When "Partial Display Instruction" execution, the "Boost Level Select" also must be executed. If the external capacitors are connected as the lower than 5 times boost level, don't set the boost level by the instruction over than the boost level by connecting capacitors. If set the boost level over than it, the device will make malfunction.

A0	\overline{RD}	\overline{WR}	D7	D6	D5	D4	D3	D2	D1	D0
0	1	0	0	0	1	1	0	0	A1	A0

Command		Booster Multiple			
A1	A0	5times external capacitors connections	4times external capacitors connections	3times external capacitors connections	2times external capacitors connections
0	0	2-time			
0	1	3-time	2-time		
1	0	4-time	3-time	2-time	
1	1	5-time	4-time	3-time	2-time

(q) Read Modify Write/End

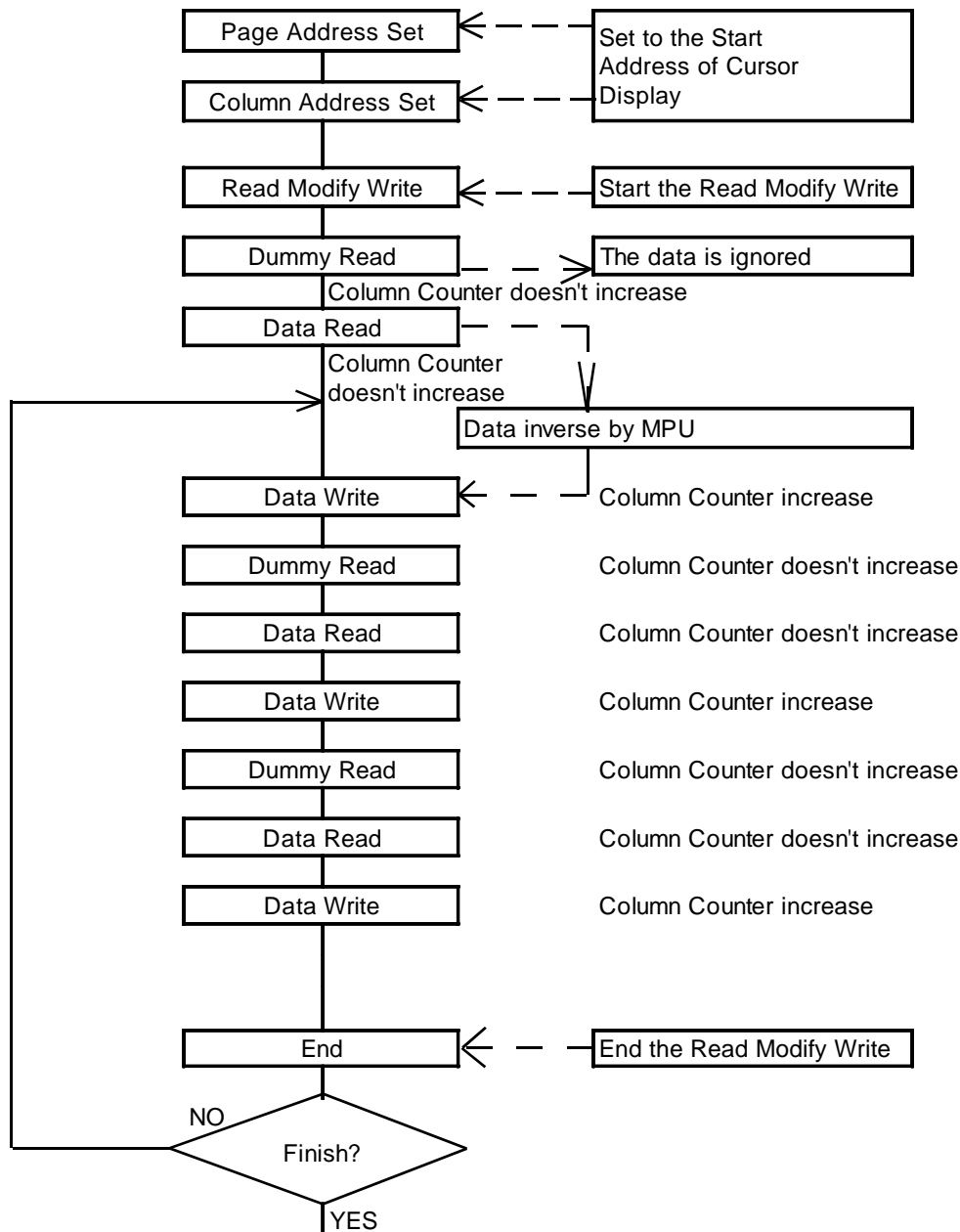
This instruction sets the Read Modify Write controlling the page address increment. In this mode, the Column Address only increments when execute the display data "Write" instruction; but no change when the display data "Read" Instruction. This status is continued until the End instruction execution. When the End instruction is executed, the Column Address goes back to the start address before the execution of this "Read Modify Write" instruction. This function reduces the load of MPU for repeating display data change of the fixed area (ex. cursor blink).



D 0 : Read Modify Write On
1 : End

Note) In this "Read Modify Write" mode, out of display data "Read"/"Write", any instructions except "Column Address Set" can be executed.

- The Example of Read Modify Write Sequence



(r) Reset

This instruction executes the following initialization.

The reset by the reset signal input to the \overline{RES} terminal (hardware reset) is required when power turns on. This reset instruction does not use instead of this hardware reset when power turns on.

Initialization

- 1 Set the Column Address Counter to 00H
- 2 Set the Display Start Line Register to 00H
- 3 Set the Page Address Register to page "0"
- 4 Set the EVR register to FFH
- 5 Set the Partial Display(1/88 duty)
- 6 Set the Bias select(1/10 Bias)
- 7 Set the Voltage Booster(5 times)
- 8 Set the n-line inverse register to 0H

The DD RAM is not affected in this initialization.

A0	\overline{RD}	\overline{WR}	D7	D6	D5	D4	D3	D2	D1	D0
0	1	0	1	1	1	0	0	0	1	0

(s) Internal Power Supply ON/OFF

This instruction control ON and OFF for the internal Voltage Converter, Voltage Regulator and Voltage Follower circuits. For the Booster circuits operation, the oscillation circuits must be in operation.

A0	\overline{RD}	\overline{WR}	D7	D6	D5	D4	D3	D2	D1	D0
0	1	0	0	0	1	0	0	0	0	D

D 0 : Internal Power Supply Off

1 : Internal Power Supply On

The internal Power Supply must be Off when external power supply using.

*1 The set up period of internal power supply On depends on the step up capacitors, voltage stabilizer capacitors, VDD and VLCD.

Therefore it requires the actual evaluation using the LCD module to get the correct time. (Refer to the (3-4) Fig.5)

(t) Driver Outputs ON/OFF

This instruction controls ON/OFF of the LCD Driver Outputs.

A0	\overline{RD}	\overline{WR}	D7	D6	D5	D4	D3	D2	D1	D0
0	1	0	0	0	1	0	0	0	1	D

D 0 : LCD driving waveform output Off

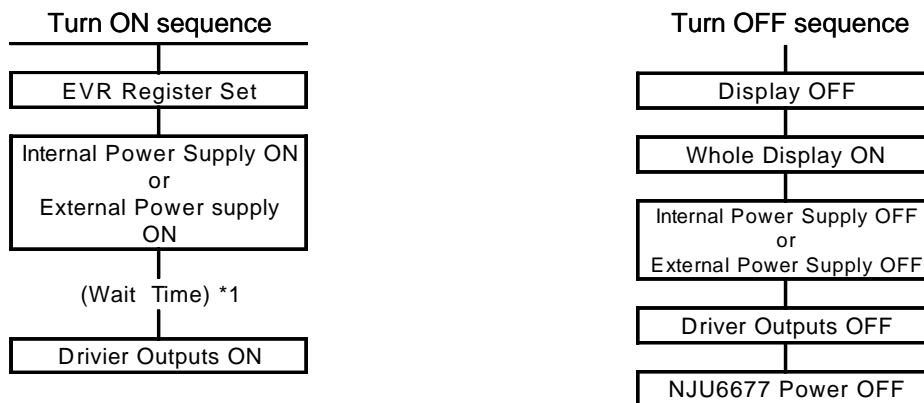
1 : LCD driving waveform output On

The **NJU6677** implements low power LCD driving voltage generator circuit and requires the following Power Supply ON/OFF sequence.

- LCD Driving Power Supply ON/OFF Sequences

The sequences below are required when the power supply turns ON/OFF.

For the power supply turning on operation after the power-save mode, refer the "power save release sequence" mentioned after.



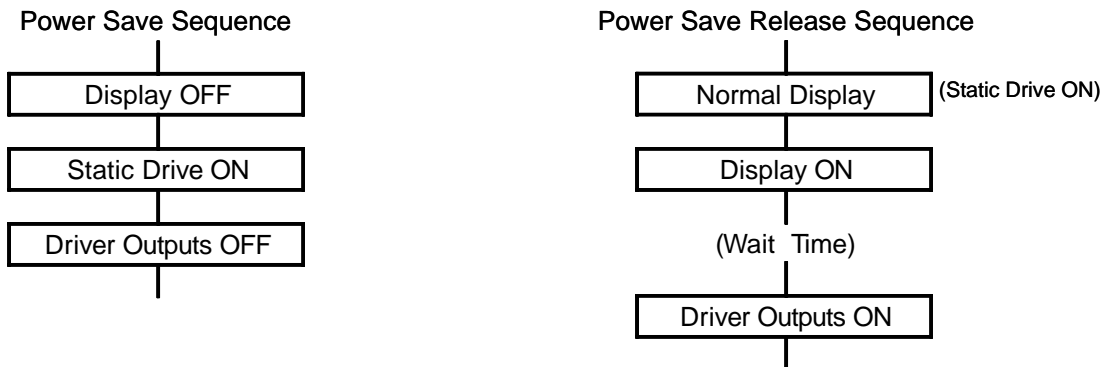
*1 The Internal Power Supply rise time is depending on the condition of the Supply Voltage, VLCD=VDD-V5, External Capacitor of Booster, and External Capacitor connected to V1 to V5. To know the rise time correctly, test by using the actual LCD module.

(u) Power Save (complex comand)

When Static Drive ON at the Display OFF status (inverse order also same), the internal circuits goes to the Power Save Mode and the operating current is dramatically reduced, almost same as the standby current. The internal status in the Power Save Mode is shown as follows;

- 1: The Oscillation Circuits and the Internal Power Supply Circuits stop the operation.
- 2: LCD driving is stopped. Segment and Common drivers output V_{DD} level voltage.
- 3: The display data and the internal operating condition are remained and kept as just before enter the Power Save Mode.
- 4: All the LCD driving bias voltage (V_1 to V_5) is fixed to the V_{DD} level.

The power save and its release perform according to the following sequences.



The **NJU6677** constantly spends the current without the execution of the Driver Outputs OFF instruction. The LCD drive waveform is not output until the Driver Outputs ON instruction is executed.

- *1 In the Power Save sequence, the Power Save Mode starts after the Static Drive ON command is executed.
- *2 In the Power Save Release sequence, the Power Save Mode releases just after the Static Drive OFF instruction execution. The Display ON instruction is allowed to execute at any time after the Static Drive OFF instruction is completed.
- *3 The Internal Power Supply rise time is depending on the condition of the Supply Voltage, $V_{LCD}=V_{DD}-V_5$, External Capacitor of Booster, and External Capacitor connected to V_1 to V_5 . To know the rise time correctly, test by using the actual LCD module.
- *4 LCD driving waveform is output after the execution of the Driver Outputs ON instruction execution.
- *5 In case of the external power supply operation, the external power supply should be turned off before the Power Save Mode and connected to the V_{DD} for fixing the voltage. In this time, V_{OUT} terminal also should be made condition like as disconnection or connection to V_{SS} .

(v) ADC Select

This instruction determines the correspondence of Column in the DD RAM with the Segment Driver Outputs. Segment Driver Output order is inverse, when this instruction executes, therefore, the placement the **NJU6677** against the LCD panel becomes easy.

A0	\overline{RD}	R/W \overline{WR}	D7	D6	D5	D4	D3	D2	D1	D0
0	1	0	1	0	1	0	0	0	0	D

D 0 : Clockwise Output (Normal) Segment Driver S_0 to S_{131}
 1 : Counterclockwise Output (Inverse) Segment Driver S_{131} to S_0

(3) Internal Power Supply

(3-1) 5-time voltage booster circuits

The 5-time voltage booster circuit outputs the negative Voltage (V_{DD} Common) boosted 5 times of $V_{DD}-V_{SS}$ from the V_{OUT} terminal with connecting the five capacitors between C_{1+} and C_{1-} , C_{2+} and C_{2-} , C_{3+} and C_{3-} , C_{4+} and C_{4-} , and V_{SS} and V_{OUT} . The boosting time is selected out of 2 times to 5 by the combination of changing the external capacitors connection and "Booster Level Select" instruction. (refer (2-1) Instruction (p) Voltage Boost time select)

Voltage Booster circuits requires the clock signals from internal oscillation circuit or the external clock signal, therefore, the internal oscillation circuits or the external clock supplier must be operating when the voltage booster is in operation.

The boosted voltage of $V_{DD}-V_{OUT}$ must be 18V or less.

The boost voltage and the capacitor connection are shown below.

● The boosted voltage and V_{DD}, V_{SS}

$V_{DD}=+3V$

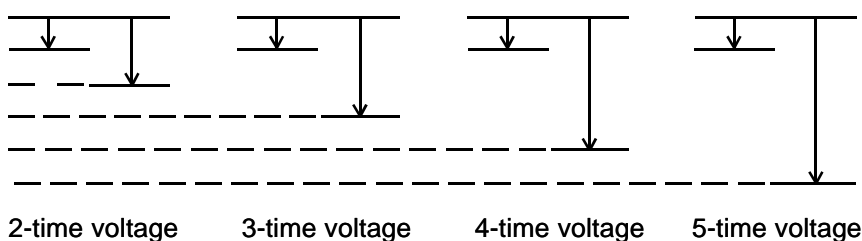
$V_{SS}=\pm 0V$

$V_{OUT}=-V_{DD}=-3V$

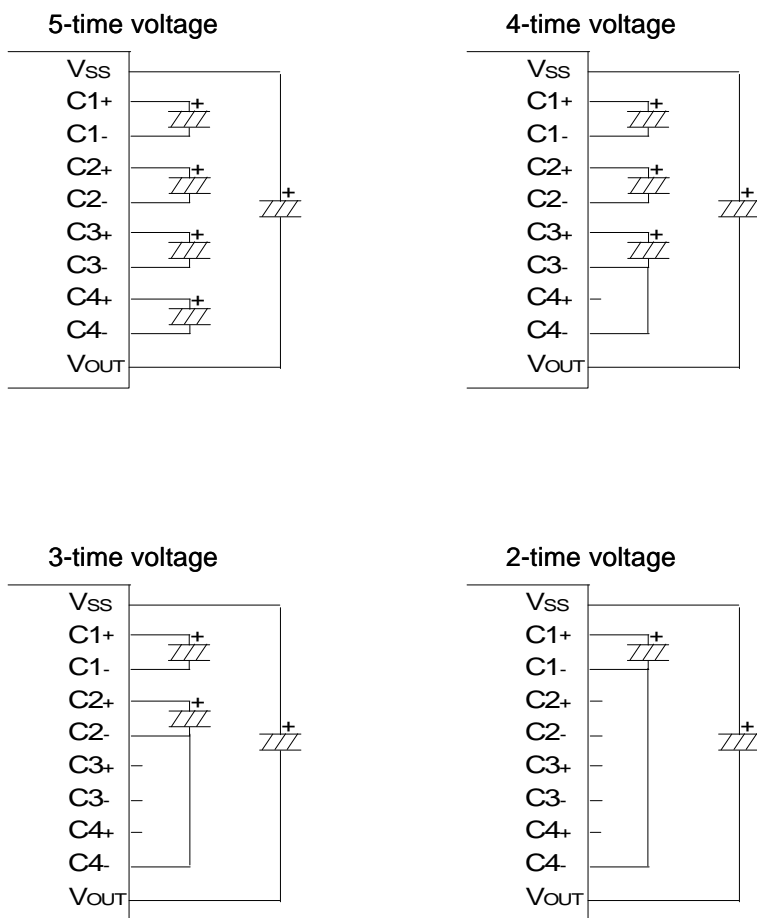
$V_{OUT}=-2V_{DD}=-6V$

$V_{OUT}=-3V_{DD}=-9V$

$V_{OUT}=-4V_{DD}=-12V$



● Example of the external capacitor connection to the voltage booster circuits



(3-2) Voltage Adjust Circuits

The boosted voltage of V_{OUT} outputs V_5 for LCD driving through the voltage adjust circuits. The output voltage of V_5 is adjusted by R_a and R_b within the range of $|V_5| < |V_{OUT}|$.

The output is calculated by the following formula(1).

$$V_{LCD} = V_{DD} - V_5 = (1 + R_b/R_a)V_{REG} \quad (1)$$

The V_{REG} voltage is a reference voltage generated by the built-in bleeder resistance. V_{REG} is adjustable by EVR functions (see section 3-3).

For minor adjustment of V_5 , it is recommended that the R_a and R_b is composed of R_2 as variable resistor and R_1 and R_3 as fixed resistors, constant should be connected to V_{DD} terminal, V_R and V_5 , as shown below.

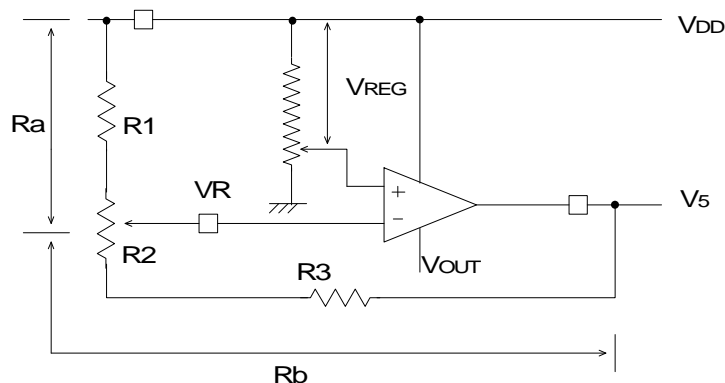


Fig. 4

< Design example for R_1 , R_2 and R_3 /Reference >

- $R_1 + R_2 + R_3 = 6M\Omega$
(Determind by the current between $V_{DD} - V_5$)
- Variable voltage range by the R_2 . -7V to -11V ($V_{LCD} = V_{DD} - V_5$: 10V to 12V)
(Determind by the LCD electrical characteristics)
- $V_{REG} = 3V$
(In case of $V_{DD} = 3V$ and $EVR = FFh$)

R_1, R_2 and R_3 are calculated by above conditions and the fomula of (1) to below;

$$\begin{aligned} R_1 &= 1.5M\Omega \\ R_2 &= 0.3M\Omega \\ R_3 &= 4.2M\Omega \end{aligned}$$

Note) V_5 voltage is generated referencing with V_{REG} voltage beased on the supply voltage (V_{DD} and V_{SS}) as shown in above figure. Therefore, V_{LCD} ($V_{DD} - V_5$) is affected including the gain (R_b/R_a) by the fluctuation of V_{REG} voltage based on the supply voltage. The power supply voltage should be stabilized for V_5 stable operation.

(3-3) Contrast Adjustment by the EVR function

The EVR selects the V_{REG} voltage out of the following 201 conditions by setting 8-bit data into the EVR register. With the EVR function, V_{REG} is controlled, and the LCD display contrast is adjusted. The EVR controls the voltage of V_{REG} by instruction and changes the voltage of V_5 .

A step with EVR is set like table shown below.

37H to 4FH available for use. If keeping 3% precision, sets EVR over 4FH.

EVR register		$V_{REG}[V]$	VLCD
3FH	(0,0,1,1,0,1,1,1)	$(100/300) \times (V_{DD}-V_{SS})$	Low
:	:	:	:
4FH	(0,1,0,0,1,1,1,1)	$(124/300) \times (V_{DD}-V_{SS})$:
:	:	:	:
:	:	:	:
FDH	(1,1,1,1,1,1,0,1)	$(298/300) \times (V_{DD}-V_{SS})$:
FEH	(1,1,1,1,1,1,1,0)	$(299/300) \times (V_{DD}-V_{SS})$:
FFH	(1,1,1,1,1,1,1,1)	$(300/300) \times (V_{DD}-V_{SS})$	High

In use of the EVR function, the voltage adjustment circuit must turn on by the power supply instruction.

● Adjustable range of the LCD driving voltage by EVR function

The adjustable range is decided by the power supply voltage V_{DD} and the ratio of external resistors R_a and R_b .

[Design example for the adjustable range / Reference]

- Condition $V_{DD}=3.0V$, $V_{SS}=0V$

$R_a=1M\Omega$, $R_b=4M\Omega$ ($R_a:R_b=1:4$)

The adjustable range and the step voltage are calculated as follows in the above condition.

In case of setting 4FH in the EVR register,

$$\begin{aligned} V_{LCD} &= ((R_a+R_b)/R_a)V_{REG} \\ &= (5/1) \times [(124/300) \times 3.0] \\ &= 6.2V \end{aligned}$$

In case of setting FFH in the EVR register,

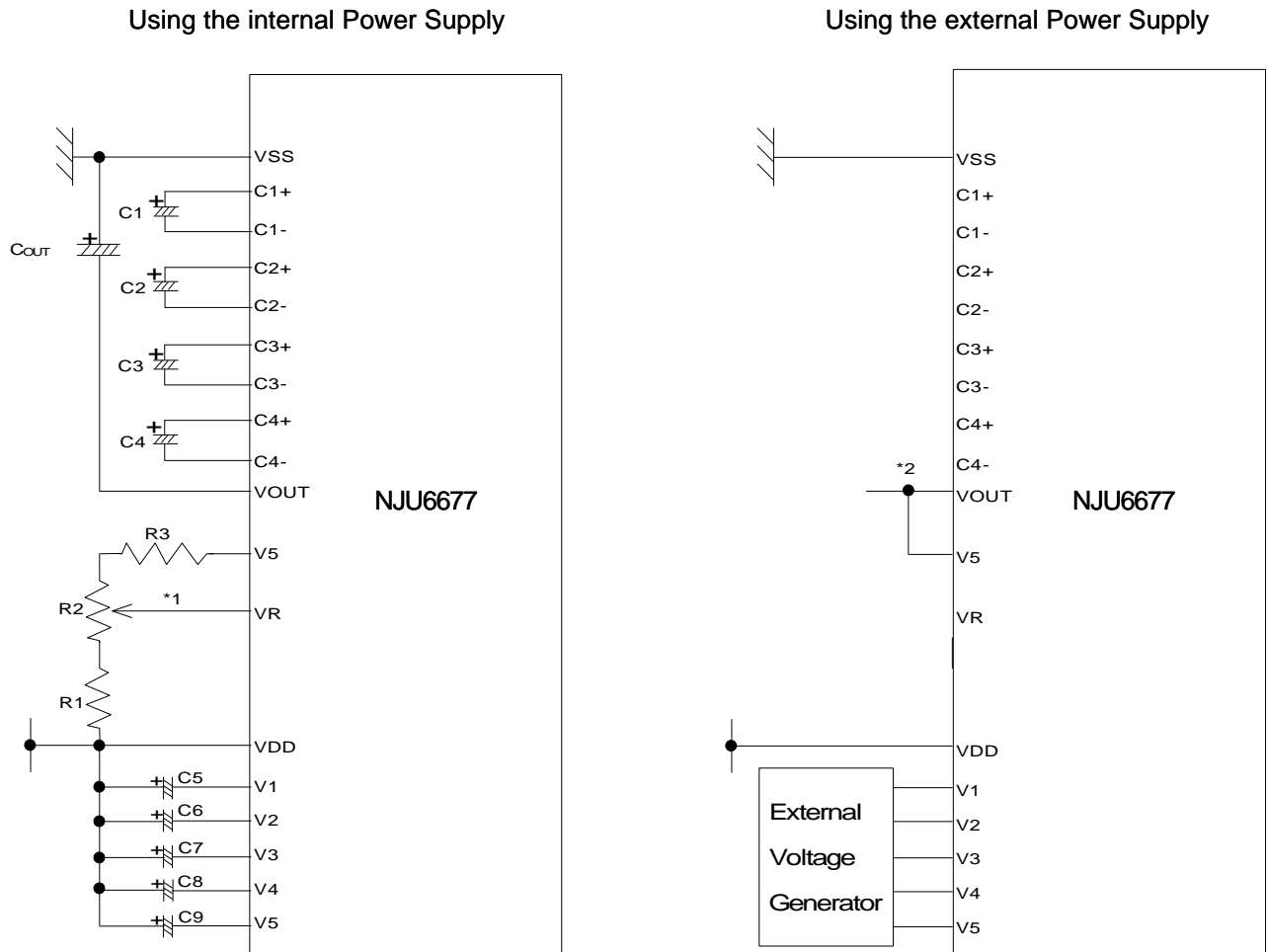
$$\begin{aligned} V_{LCD} &= ((R_a+R_b)/R_a)V_{REG} \\ &= (5/1) \times [(300/300) \times 3.0] \\ &= 15.0V \end{aligned}$$

	Min.4FH	Max.FFH
Adjustable Range	6.2	15.0 [V]
Step Voltage	50 [mV]	

* In case of $V_{DD}=3V$

(3-4) LCD Driving Voltage Generation Circuits

The LCD driving bias voltage of V1,V2,V3,V4 are generated by dividing the V5 voltage with the internal bleeder resistance and is supplied to the LCD driving circuits after the impedance conversion by the voltage follower. As shown in Figure 5, five external capacitors are required to connect to each LCD driving voltage terminal for voltage stabilization. The value of capacitors (C5 to C9) should be determined after the actual LCD panel display evaluation.



Reference set up value $V_{LCD} = V_{DD} - V5 = 10$ to $12V$

C _{OUT}	to 1 μ F
C1 to C4, C9	to 1 μ F
C5 to C8	0.1 to 0.47 μ F
R1	1.5M Ω
R2	0.3M Ω
R3	4.2M Ω

Fig.5

*1 Short wiring or sealed wiring to the VR terminal is required due to the high impedance of VR terminal.

*2 Following connection of VOUT is required when external power supply using.

When $V_{SS} > V5$ --- VOUT=V5

When $V_{SS} \leq V5$ --- VOUT=VSS

(4) MPU Interface

(4-1) Interface type selection

Two MPU interface types are available in the **NJU6677**: by 1) 8-bit bi-directional data bus (D7 to D0), 2) serial data input (SI:D7). The interface type (the 8 bit parallel or serial interface) is determined by the condition of the P/S terminals connecting to "H" or "L" level as shown in Table 5. In case of the serial interface, neither the status read-out nor the RAM data read-out operation is allowed.

Table 5

P/S	Type	\overline{CS}	A0	\overline{RD}	\overline{WR}	SEL68	D7	D6	D0 to D5
H	Parallel	\overline{CS}	A0	\overline{RD}	\overline{WR}	SEL68	D7	D6	D0 to D5
L	Serial	\overline{CS}	A0	-	-	-	SI	SCL	Hi-Z

Parallel Interface

The **NJU6677** interfaces the 68- or 80-type MPU directly if the parallel interface (P/S="H") is selected. The 68-type or 80-type MPU is selected by connecting the SEL68 terminal to "H" or "L" as shown in table 6.

Table 6

SEL68	Type	\overline{CS}	A0	\overline{RD}	\overline{WR}	D0 to D7
H	68 type MPU	\overline{CS}	A0	E	R/W	D0 to D7
L	80 type MPU	\overline{CS}	A0	\overline{RD}	\overline{WR}	D0 to D7

(4-2) Discrimination of Data Bus Signal

The **NJU6677** discriminates the mean of signal on the data bus by the combination of A0, E, R/W, and (\overline{RD} , \overline{WR}) signals as shown in Table 7.

Table 7

Common	68 type		80 type		Function
	A0	R/W	\overline{RD}	\overline{WR}	
H	H	H	L	H	Read Display Data
H	L	L	H	L	Write Display Data
L	H	H	L	H	Status Read
L	L	L	H	L	Write into the Register(Instruction)

(4-3) Serial Interface.(P/S="L")

The serial interface of the **NJU6677** consists of the 8-bit shift register and 3-bit counter. In case the chip is selected (\overline{CS} =L), the input to D7(SI) and D6(SCL) becomes available, and in case that the chip isn't selected, the shift register and the counter are reset to the initial condition.

The data input from the terminal(SI) is MSB first like as the order of D7, D6, ●●●D0 by a serial interface, it is entered into with rise edge of serial clock(SCL). The data converted into parallel data of 8-bit with the rise edge of 8th serial clock and processed.

It discriminates display data or instructions by A0 input terminal. A0 is read with rise edge of (8 X n)th of serial clock (SCL), it is recognized display data by A0="H" and instruction by A0="L". A0 input is read in the rise edge of (8 X n)th of serial clock (SCL) after chip select and distinguished.

However, in case of RES="H" to "L" or \overline{CS} ="L" to "H" with trasfered data does not fill 8 bit, attention is necessary because it will processed as there was command input. Always, input the data of (8 X n) style.

The SCL signal must be careful of the termination reflection by the wiring length and the external noise and confirmation by the actual machine is recommended by it.

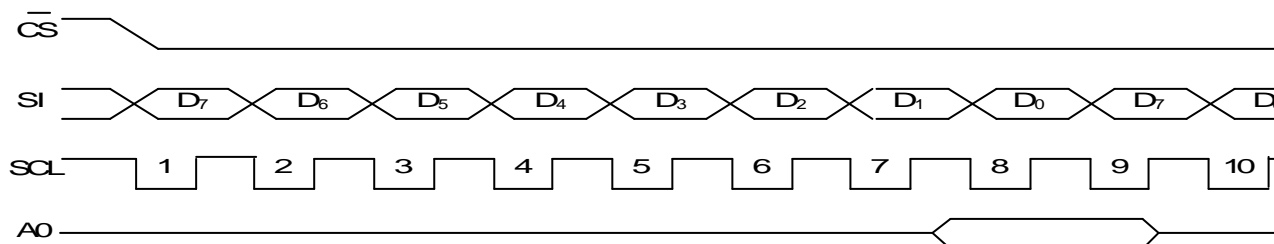


Fig. 6

(4-4) Access to the Display Data RAM and Internal Register.

The **NJU6677** transfers data to the CPU through the bus holder with the internal data bus.

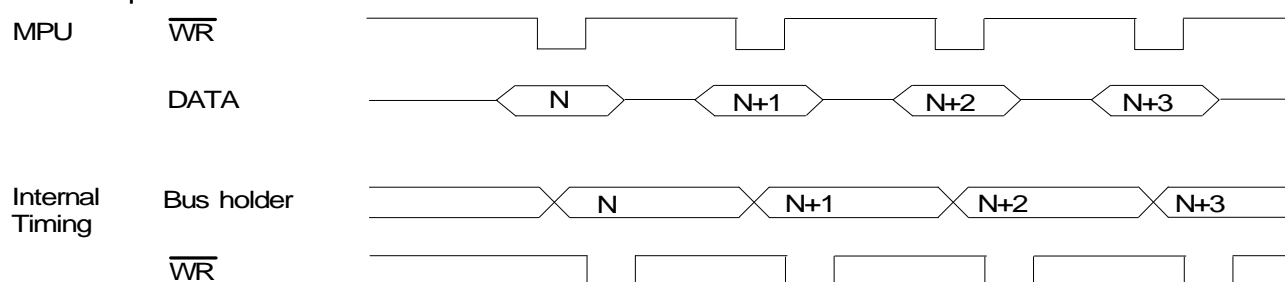
In case of reading out the display data contents in the DD RAM, the data which was read in the first data read cycle (= the dummy read) is memorized in the bus holder. Then the data is read out to the system bus from the bus holder in the next data read cycle. Also, In case that the MPU writes into DD RAM, the data is temporarily stored in the bus holder and is then written into DD RAM by the next data write cycle.

Therefore, the limitation of the access to **NJU6677** from MPU side is not access time ($t_{ACC, tDS}$) of Display Data RAM and the cycle time becomes dominant. With this, speed-up of the data transfer with the MPU becomes possible. In case of cycle time isn't met, the MPU inserts NOP operation only and becomes an equivalent to an execution of wait operation on the satisfy condition in MPU.

When setting an address, the data of the specified address isn't output immediately by the read operation after setting an address, and the data of the specified address is output at the the 2nd data read operation. Therefore, the dummy read is always necessary once after the address set and the write cycle. (See Fig. 7)

The exsample of Read Modify Write operaion is mentioned in (2-1)Instruction -(q)The sequence of Inverse Display.

● Write Operation



● Read Operation

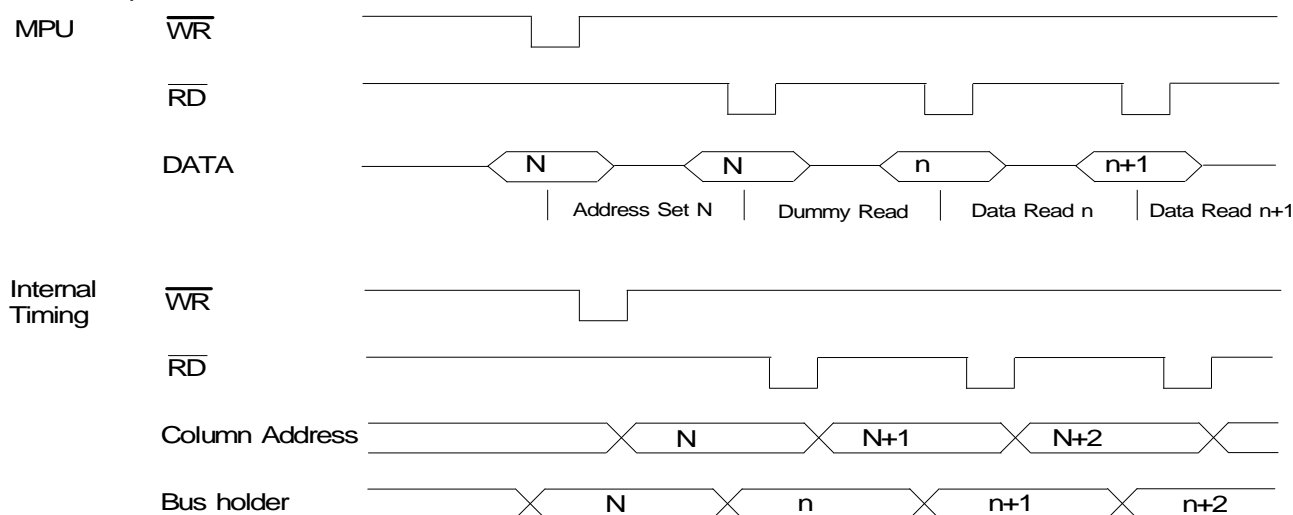


Fig.7

(4-6) Chip Select

\overline{CS} is the Chip Select terminal. In case of $\overline{CS}="L"$, the interface with MPU is available.

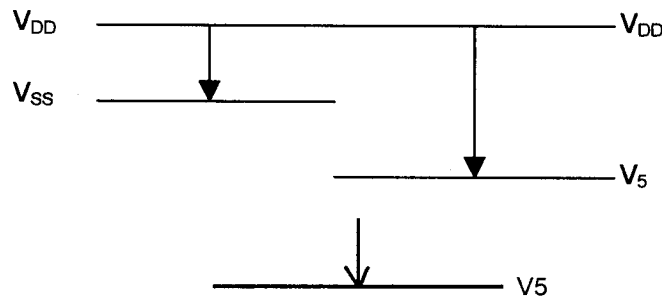
In case of $\overline{CS}="H"$ (Chip is not selected), the terminals of D_0 to D_7 are high impedance and A_0 , \overline{RD} , \overline{WR} , $D_7(SI)$ and $D_6(SCL)$ inputs are ignored. If the serial interface is selected when $\overline{CS}="H"$, the shift register and the counter for the serial interface are reset.

However, the reset signal is always input and executed in any conditions of \overline{CS} .

■ ABSOLUTE MAXIMUM RATINGS

(Ta=25°C)

PARAMETER	SYMBOL	RATINGS	UNIT
Supply Voltage(1)	V_{DD}	-0.3 to +5.0	V
Supply Voltage(2)	V_5, V_{OUT}	$V_{DD}-18.0$ to $V_{DD}+0.3$	V
Supply Voltage(3)	V_1, V_2, V_3, V_4	V_5 to $V_{DD}+0.3$	V
Input Voltage	V_{IN}	-0.3 to $V_{DD}+0.3$	V
Operating Temperature	T_{opr}	-30 to +80	°C
Storage temperature	T_{stg}	-55 to +125	°C



Note 1) All voltage values are specified as $V_{SS}=0V$.

Note 2) The relation of $V_{DD} \geq V_1 \geq V_2 \geq V_3 \geq V_4 \geq V_5 > V_{OUT}; V_{DD} > V_{SS} \geq V_{OUT}$ must be maintained.

In case of inputting external LCD driving voltage, the LCD drive voltage should start supplying to **NJU6677** at the mean time of turning on V_{DD} power supply or after turned on V_{DD} .

In use of the voltage boost circuit, the condition that the supply voltage: $18.0V \geq V_{DD} - V_{OUT}$ is necessary.

Note 3) If the LSI are used on condition beyond the absolute maximum rating, the LSI may be destroyed.

Using LSI within electrical characteristics is strongly recommended for normal operation.

Use beyond the electric characteristics conditions will cause malfunction and poor reliability.

Note 4) Decoupling capacitor should be connected between V_{DD} and V_{SS} due to the stabilized operation for the voltage converter.

DC Electrical Characteristics

($V_{DD}=2.7$ to $3.6V$, $V_{SS}=0V$, $T_a=-30$ to $80^{\circ}C$)

PARAMETER	SYMBOL	CONDITIONS	MIN	TYP	MAX	UNIT	NOTE
Operating voltage (1)	V_{DD}		2.5		3.3	V	5
Operating voltage(2)	V_5		$V_{DD}-18.0$		$V_{DD}-6.0$	V	6
	V_1, V_2	$V_{LCD}=V_{DD}-V_5$	$V_{DD}-0.5V_{LCD}$		V_{DD}		
	V_3, V_4				$V_{DD}-0.5V_{LCD}$		
"H" level input voltage	V_{IHC1}	A0, D ₀ to D ₇ , \overline{RD} , \overline{WR} , \overline{RES} , \overline{CS} , P/S, SEL68 Terminals	0.8 V_{DD}		V_{DD}	V	
"L" level input voltage	V_{ILC1}		V_{SS}		0.2 V_{DD}		
"H" level output voltage	V_{OHC11}	D ₀ to D ₇	0.8 V_{DD}		V_{DD}	V	
"L" level output voltage	V_{OLC11}	Terminal		V_{SS}			
Input Leakage Current	I_{LIO}	All input terminals	-1.0		1.0	μA	
Driver On-resistance	R_{ON1}	$T_a=25^{\circ}C$, $V_{LCD}=15.0V$		2.0	3.0	$k\Omega$	7
	R_{ON2}	$T_a=25^{\circ}C$, $V_{LCD}=8.0V$		3.0	4.5		
Stand-by Current	I_{DDQ}	During Power Save Mode		0.05	5.0	μA	8
Operating Current	I_{DD12}	Display $V_{LCD}=15.0V$		15	40	μA	8
	I_{DD21}	Accessing $f_{CYC}=200kHz$		125	250		9
Input Terminal Capacitance	C_{IN}	$T_a=25^{\circ}C$ A0, D ₀ to D ₇ , \overline{RD} , \overline{WR} , \overline{RES} , \overline{CS} , P/S, SEL68, T ₁ , T ₂ Terminals		10.0		pF	10
Oscillation Frequency	f_{OSC}	$V_{DD}=3.0V$ $T_a=25^{\circ}C$	22.0	26.8	31.6	kHz	
Reset Time	t_R	\overline{RES} terminal	1.0			μs	11
Reset "L" level pulse Width	t_{RW}	\overline{RES} terminal	10.0			μs	12

Voltage booster	Output voltage	V_{OUT1}	5-times boost, $V_{DD}=3.0V$	$V_{DD}-15.0$		$V_{DD}-14.5$	V	
	On-resistance	R_{TRI}	5-times boost, $V_{DD}=3.0V$, $C_{OUT}=1.0\mu F$		2000	4000	Ω	
	Adjustment range LCD driving voltage	V_{OUT2}	Voltage boost operation "OFF"	$V_{DD}-18.0$		$V_{DD}-6.0$	V	13
	Voltage Follower	V_5	Voltage adjustment circuit "OFF"	$V_{DD}-18.0$		$V_{DD}-6.0$	V	
	Operating Current	I_{OUT1}	$V_{DD}=3V$, $V_{LCD}=12V$ COM/SEG terminals Open No Access Display Checked pattern.		160	320	μA	14
		I_{OUT2}			35	70		
		I_{OUT3}			25	50		
Voltage Regulator	$V_{REG\%}$	$V_{DD}=3.0V$; $T_a=25^{\circ}C$, $V_{REG}=4F$ to FF_H			3.0	%		

Note 5) Although the NJU6677 can operate in wide range of the operating voltage, it shall not be guaranteed in a sudden voltage fluctuation during the access with MPU.

Note 6) The operating voltage when using external power supply.

Note 7) R_{ON} is the resistance values in supplying 0.1V voltage-difference between power supply terminals (V_1, V_2, V_3, V_4) and each output terminals (common/ segment). This is specified within the range of Operating Voltage(2).

Note 8,9) The value of after Driver Output On instruction execution.

Note 8,9) Refers to the current consumption of the IC itself; external power supply is used for the LCD driving. In case of not use internal power supply circuit, meaning current of IC's. LCD driving power supply are external power supply.

Note 8) Applicable in case of not accessing to the MPU.

Note 9) The operating current when writing a vertical stripe pattern on the tcyc. Current consumption during the access is approximately proportional to the access frequency. When not accessed, it consumes only I_{DD01}

Note 10) Apply to A0, D₀-D₇, \overline{RD} , \overline{WR} , \overline{CS} , \overline{RES} , SEL68, P/S, T₁, T₂ terminals.

Note 11) t_R (Reset Time) refers to the reset completion time of the internal circuits from the rise edge of the \overline{RES} signal.

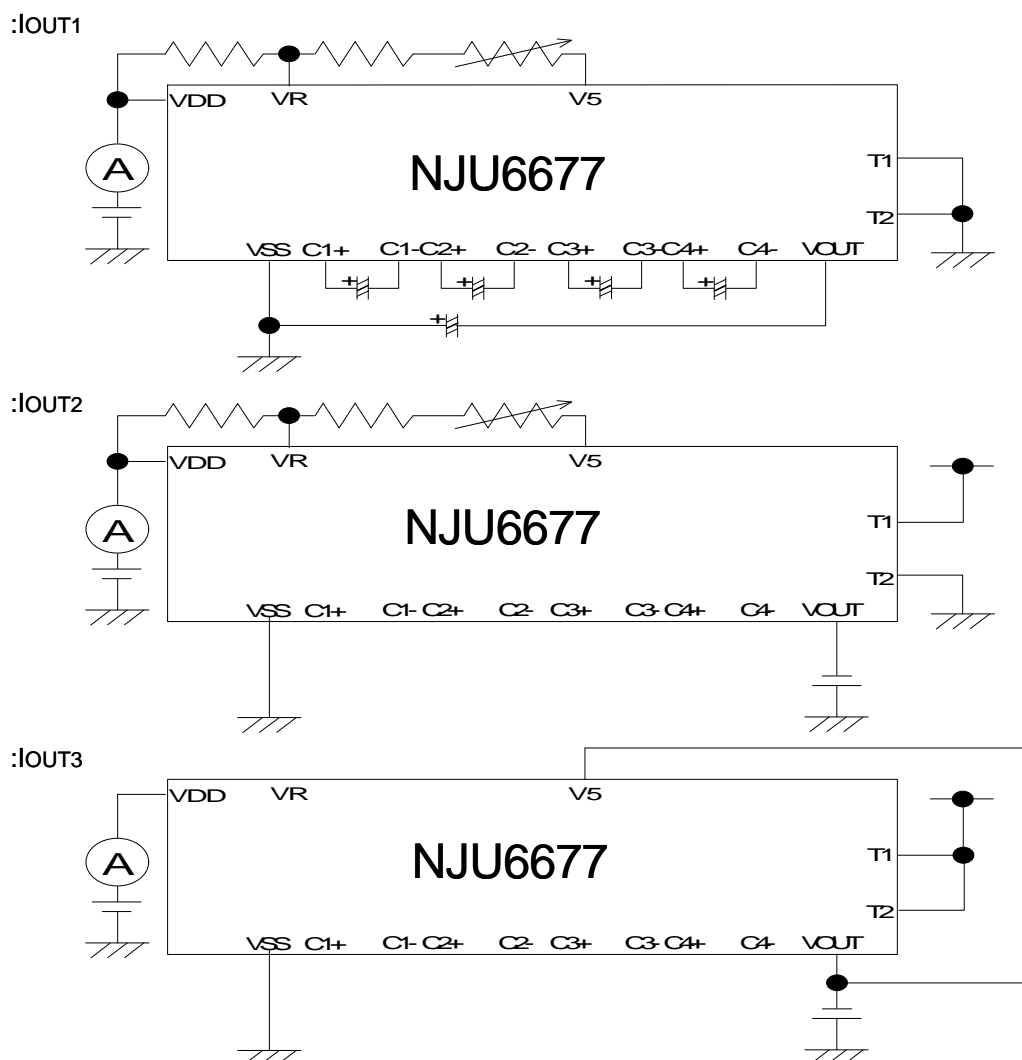
Note 12) Apply minimum pulse width of the \overline{RES} signal. To reset, the "L" pulse over t_{RW} shall be input. .

Note 13) The voltage adjustment circuit controls V5 within the range of the voltage follower operating voltage.

Note 14) Each operating current shall be defined as being measured in the following condition.

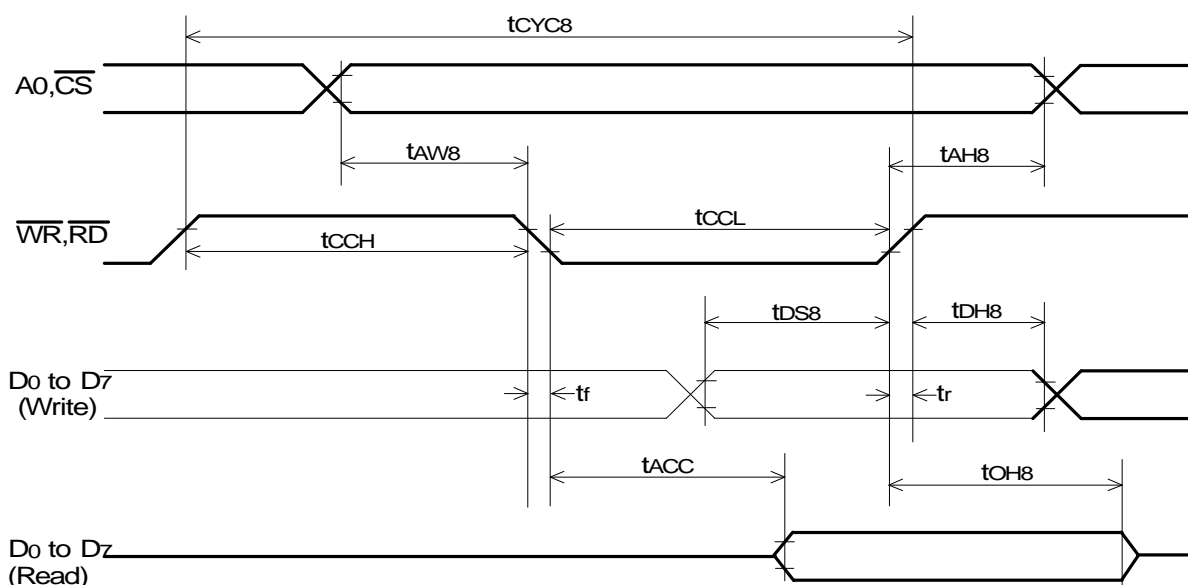
SYMBOL	Status		Operating Condition				External Voltage Supply (Input terminal)
	T1	T2	Internal Oscillator	Voltage Booster	Voltage Adjustment	Voltage Follower	
IOUT1	L	L/H	Validity	Validity	Validity	Validity	Unuse
IOUT2	H	L	Validity	Invalidity	Validity	Validity	Use(VOUT)
IOUT3	H	H	Validity	Invalidity	Invalidity	Validity	Use(VOUT,V5)

MEASUREMENT BLOCK DIAGRAM



■ BUS TIMING CHARACTERISTICS

- Read/Write operation sequence (80 Type MPU)

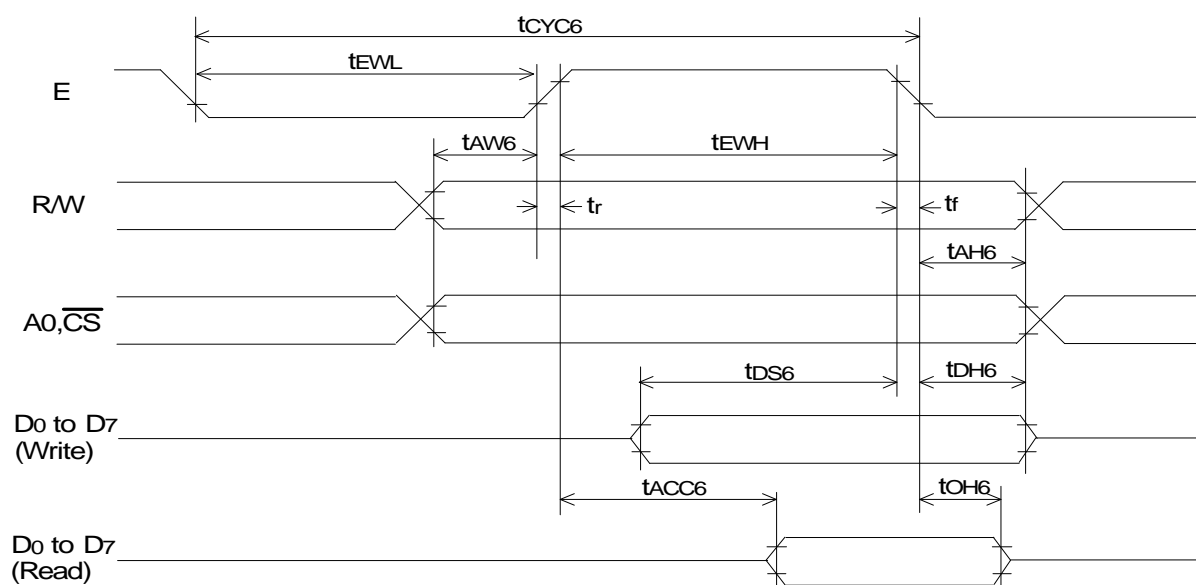


(VDD=2.4V to 3.6V, Ta=-30 to +80°C)

PARAMETER		SYMBOL	MIN.	TYP.	MAX.	CONDITION	UNIT
Address Hold Time	A0, \overline{CS}	tAH8		10			ns
Address Set Up Time	Terminals	tAW8		0			ns
System Cycle Time	WR	tCYC8 (W)		220			ns
	RD	tCYC8 (R)		350			ns
Control Pulse Width	WR, "L"	tCCL(W)		50			ns
	RD, "L"	tCCL(R)		200			ns
	WR, "H"	tCCH(W)		160			ns
	RD, "H"	tCCH(R)		160			ns
Data Set Up Time	D0 to D7 Terminals	tDS8		35			ns
Data Hold Time		tDH8		15			ns
RD Access Time		tACC8		120		CL=100pF	ns
Output Disable Time		tOH8		50			ns
Rise Time, Fall Time	\overline{CS} , WR, \overline{RD} , A0, D0 to D7 Terminals	tr, tf		15			ns

Note 15) All timing based on 20% and 80% of VDD voltage level.

- Read/Write operation sequence (68 Type MPU)



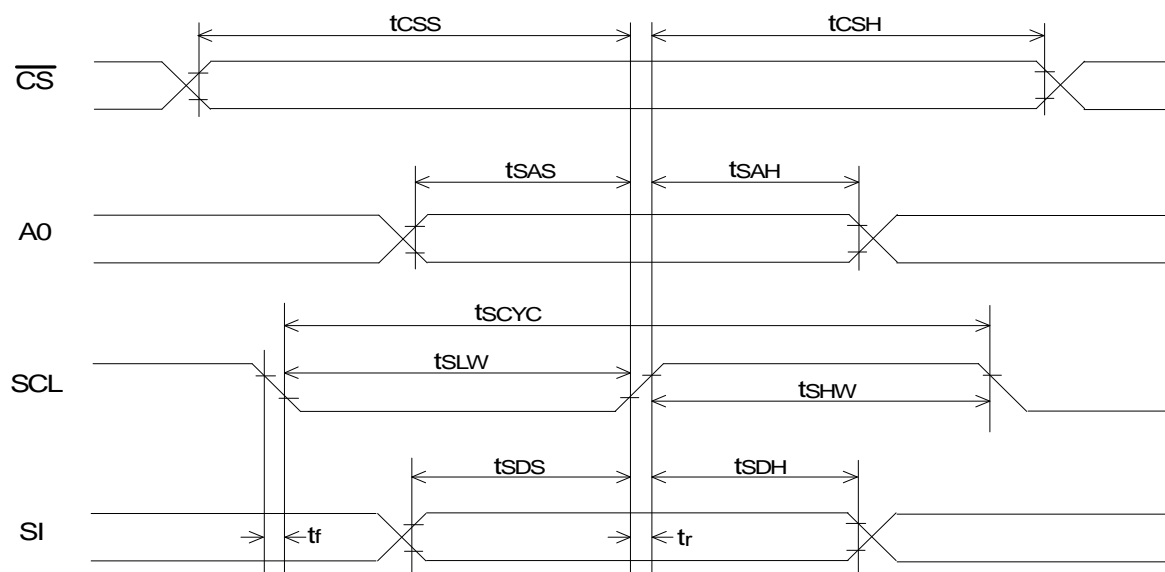
(VDD=2.4V to 3.6V, Ta=-30 to +80°C)

P A R A M E T E R		SYMBOL	MIN.	TYP.	MAX.	CONDITION	UNIT
Address Hold Time	A0, \overline{CS} , R/W Terminals	tAH6		10			ns
Address Set Up Time		tAW6		0			ns
System Cycle Time(W)		tCYC6(W)		220			ns
System Cycle Time(R)		tCYC6(R)		350			ns
Enable Pulse Width	E Terminal	Read"H"		200			ns
		Write"H"		50			ns
		Read"L"		160			ns
		Write"L"		160			ns
Data Set Up Time	D0 to D7 Terminals	tDS6		35			ns
Data Hold Time		tDH6		15			ns
Access Time		tACC6		200		CL=100pF	ns
Output Disable Time		tOH6		50			ns
Rise Time, Fall Time	A0, \overline{CS} , R/W, E, D0 to D7 Terminals	tr,tf		15			ns

Note 16) All timing are based on 20% and 80% of VDD voltage level.

Note 17) tCYC6 shows the cycle of the E signal in active \overline{CS} .

- Write operation sequence (Serial Interface)

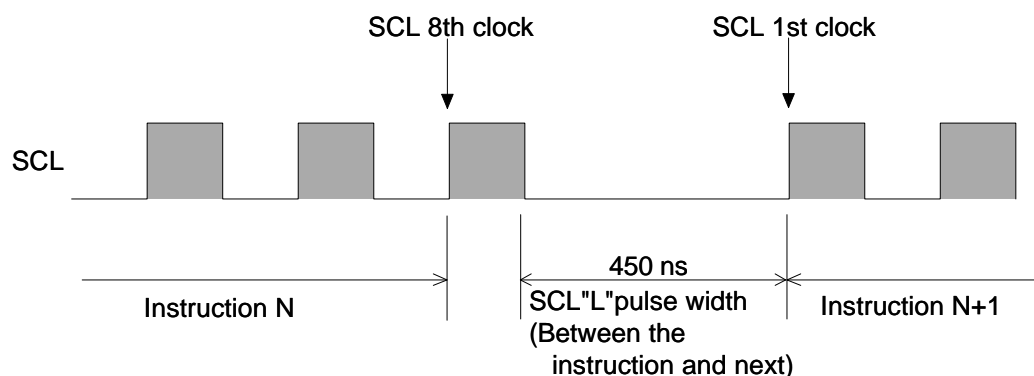


(VDD=2.4V to 3.6V, Ta=-30 to +80°C)

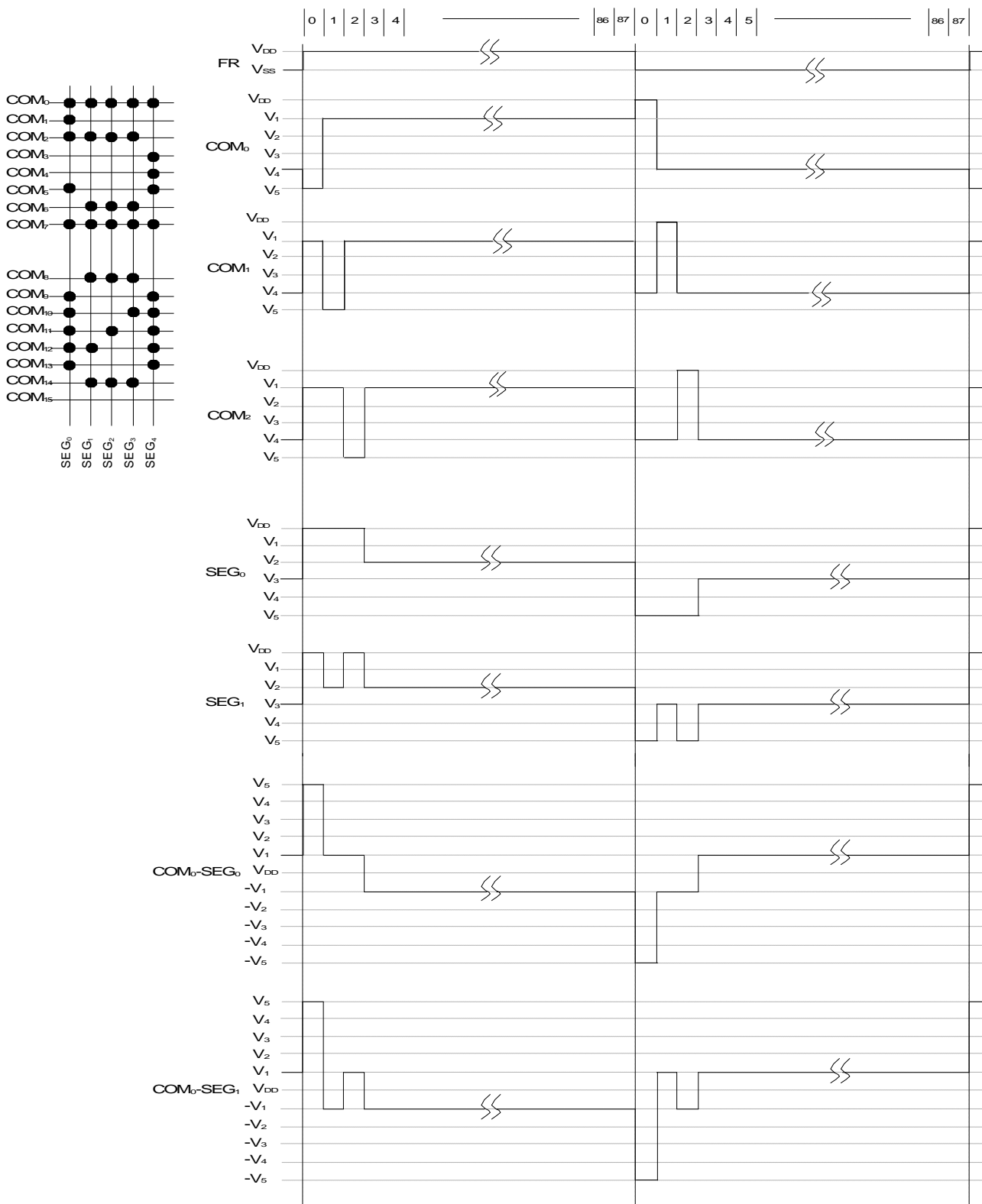
PARAMETER	SYMBOL	MIN.	TYP.	MAX.	CONDITION	UNIT
Serial Clock cycle	tSCYC		120			ns
SCL "H" pulse width	tSHW		40			ns
SCL "L" pulse width	tSLW		80			ns
Address Set Up Time	tSAS		0			ns
Address Hold Time	tSAH		150			ns
Data Set Up Time	tSDS		25			ns
Data Hold Time	tSDH		10			ns
CS-SCL Time	tCSS		10			ns
	tCSH		300			ns
Rise Time, Fall Time	tr,tf		15			ns

Note 18) All timing are based on 20% and 80% of VDD voltage level.

Note 19) When inputting an instruction continuously, keep 450ns as the cycle of SCL between the instructions as follows



■ LCD DRIVING WAVEFORM



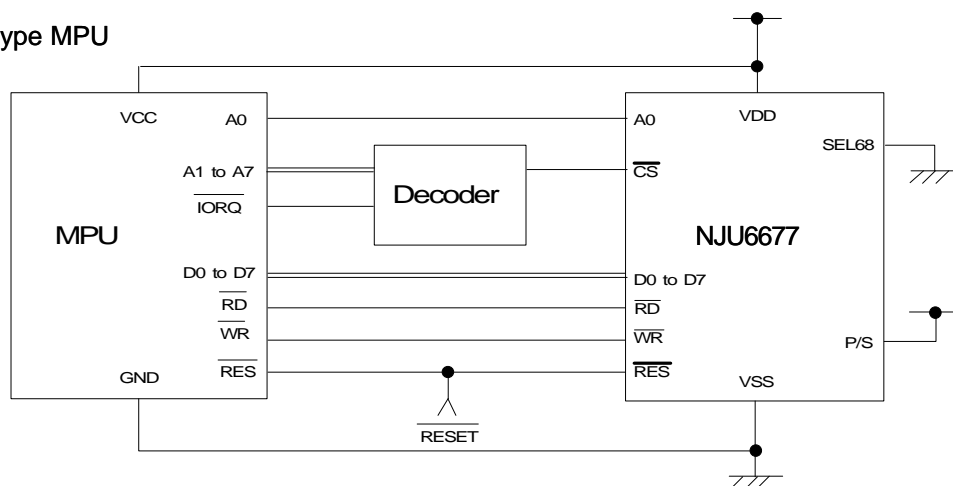
APPLICATION CIRCUIT

MPU Interface (examples)

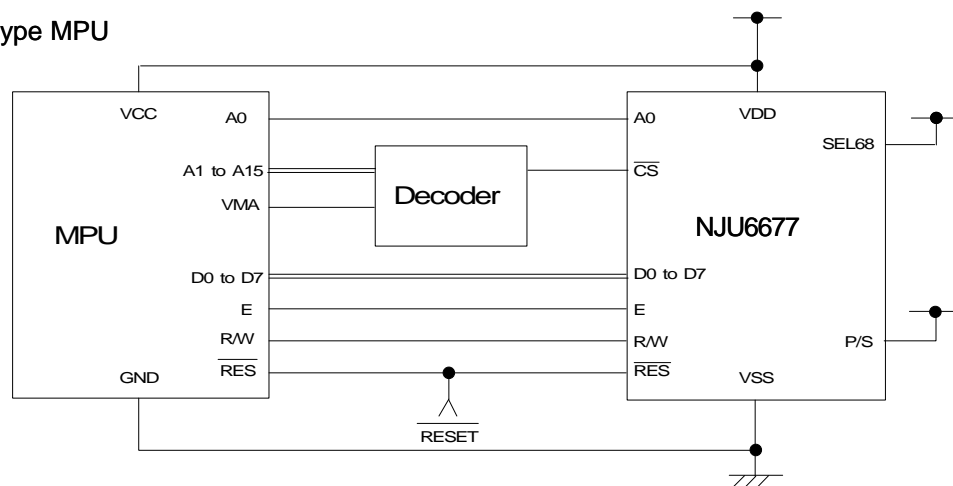
The **NJU6677** is connectable to 80-type MPU or 68-type. In use of Serial Interface, it is possible to be controlled by the signal line with the more small being.

*:SEL68 terminal shall be connected to V_{DD} or V_{SS}.

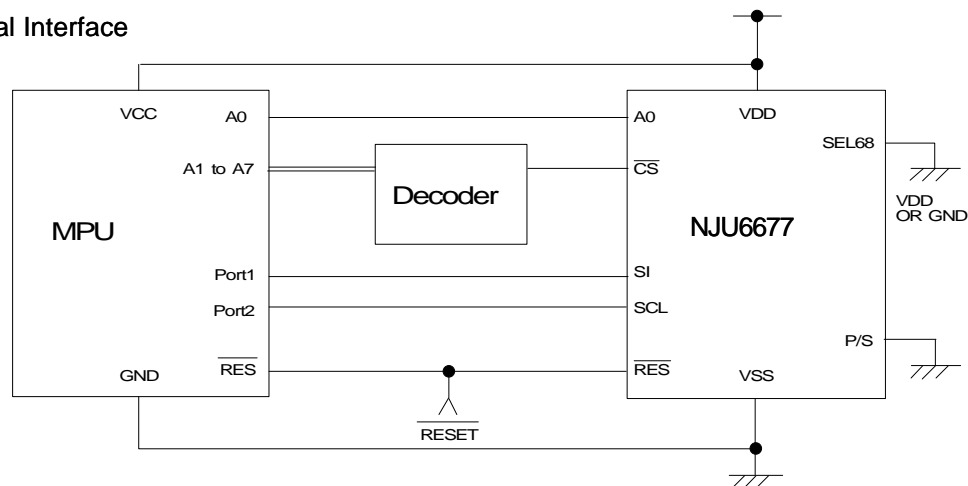
- 80 Type MPU



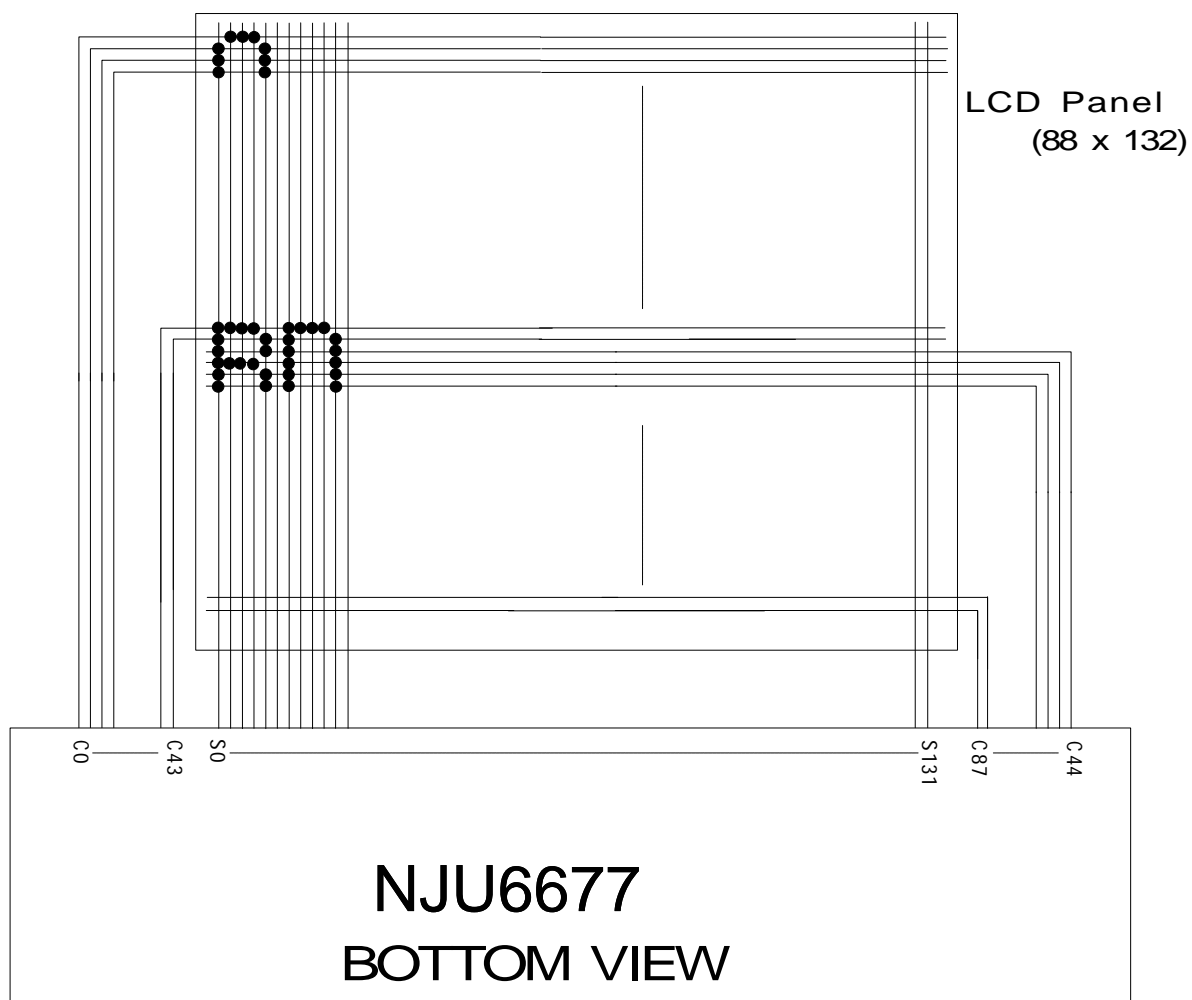
- 68 Type MPU



- Serial Interface



■ LCD Panel Interface Example



■ CAUTION

The specifications on this databook are only given for information, without any guarantee as regards either mistakes or omissions. The application circuits in this databook are described only to show representative usages of the product and not intended for the guarantee or permission of any right including the industrial rights.