

# 54ACT11833, 74ACT11833 8-BIT TO 9-BIT PARITY BUS TRANSCEIVERS

D3449, MARCH 1990—REVISED OCTOBER 1990

- Inputs are TTL-Voltage Compatible
- High-Speed Bus Transceivers With Parity Generator/Checker
- Parity-Error-Flag Open-Drain Output
- Register for Storage of the Parity-Error Flag
- Flow-Through Architecture Optimizes PCB Layout
- Center-Pin  $V_{CC}$  and GND Configurations Minimize High-Speed Switching Noise
- EPIC™ (Enhanced-Performance Implanted CMOS) 1- $\mu$ m Process
- 500-mA Typical Latch-Up Immunity at 125°C
- Package Options Include Plastic “Small Outline” Packages, Ceramic Chip Carriers, and Standard Plastic and Ceramic 300-mil DIPs

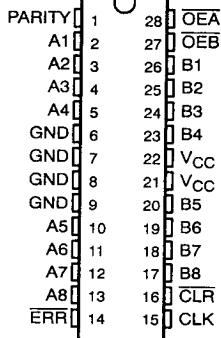
## description

The 'ACT11833 is an 8-bit to 9-bit parity transceiver designed for two-way communication between data buses. When data is transmitted from the A bus to the B bus, a parity bit is generated. When data is transmitted from the B bus to the A bus with its corresponding parity bit, the  $\overline{ERR}$  output will indicate whether or not an error in the B data has occurred. The output enable inputs  $\overline{OEA}$  and  $\overline{OEB}$  can be used to disable the device so that the buses are effectively isolated.

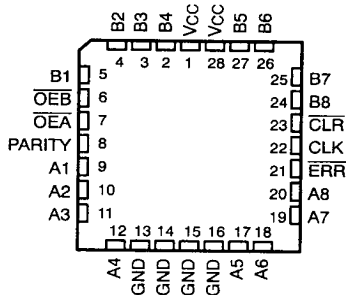
A 9-bit parity generator/checker generates a parity-odd output (PARITY) and monitors the parity of the I/O ports with an open-drain parity error flag ( $\overline{ERR}$ ).  $\overline{ERR}$  is clocked into the register on the rising edge of the CLK input. The error flag register is cleared with a low pulse on the CLR input. When both  $\overline{OEA}$  and  $\overline{OEB}$  are low, data is transferred from the A bus to the B bus and inverted parity is generated. Inverted parity is a forced error condition that gives the designer more system diagnostic capability.

The 54ACT11833 is characterized for operation over the full military temperature range of  $-55^{\circ}\text{C}$  to  $125^{\circ}\text{C}$ . The 74ACT11833 is characterized for operation from  $-40^{\circ}\text{C}$  to  $85^{\circ}\text{C}$ .

54ACT11833 . . . JT PACKAGE  
74ACT11833 . . . DW OR NT PACKAGE  
(TOP VIEW)



54ACT11833 . . . FK PACKAGE  
(TOP VIEW)



EPIC is a trademark of Texas Instruments Incorporated.

PRODUCT PREVIEW documents contain information on products in the formative or design phase of development. Characteristic data and other specifications are design goals. Texas Instruments reserves the right to change or discontinue these products without notice.

**TEXAS  
INSTRUMENTS**

POST OFFICE BOX 655303 • DALLAS, TEXAS 75265

Copyright © 1990, Texas Instruments Incorporated

**PRODUCT PREVIEW**

2-59

# 54ACT11833, 74ACT11833 8-BIT TO 9-BIT PARITY BUS TRANSCEIVERS

D3449, MARCH 1990—REVISED OCTOBER 1990

Function Table

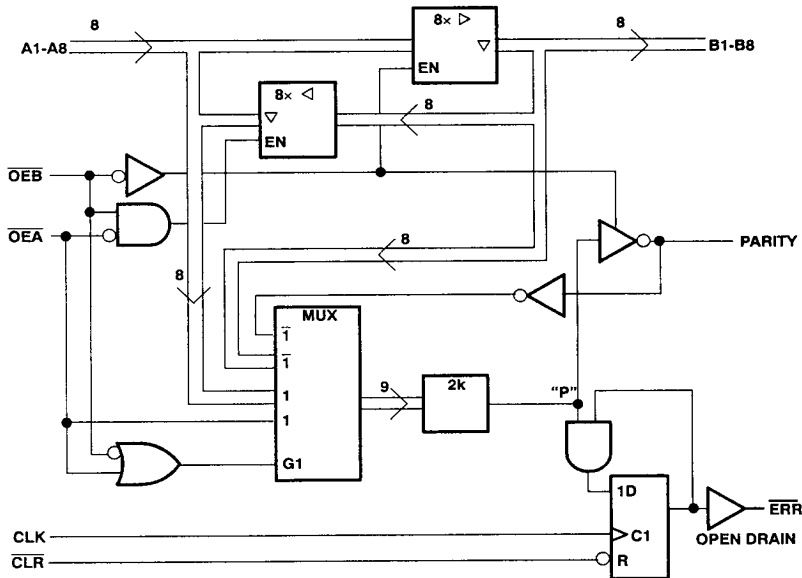
INPUTS						OUTPUT AND I/O				FUNCTION
$\overline{OEB}$	$\overline{OEA}$	$\overline{CLR}$	CLK	A $\uparrow$ $\Sigma$ of H's	B $\uparrow$ $\Sigma$ of H's	A	B	PARITY	$\overline{ERR}$	
L	H	X	X	Odd Even	NA	NA	A	L H	NA	A data to B bus and Generate Parity
H	L	H	$\uparrow$	NA	Odd Even	B	NA	NA	H L	B Data to A Bus and Check Parity
X	X	L	X	X	X	X	NA	NA	H	Clear Error Flag Register
H	H	H L H H	No $\uparrow$ No $\uparrow$ $\uparrow$	X X Odd Even	X	Z	Z	Z	NC H H L	Isolation $\ddagger$
L	L	X	X	Odd Even	NA	NA	A	H L	NA	A Data to B Bus and Generate Inverted Parity

NA = Not applicable, NC = No change, X = Don't care

$\uparrow$  Summation of high-level inputs includes PARITY along with Bi inputs.

$\ddagger$  In this mode, the ERR output, when clocked, shows inverted parity of the A bus.

## logic diagram (positive logic)



PRODUCT PREVIEW



POST OFFICE BOX 655303 • DALLAS, TEXAS 75265

# 54ACT11833, 74ACT11833 8-BIT TO 9-BIT PARITY BUS TRANSCEIVERS

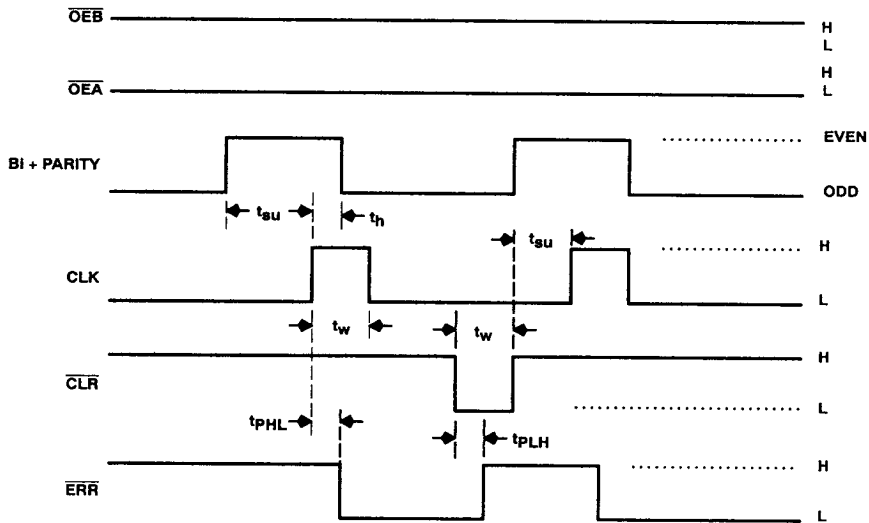
D3449, MARCH 1990—REVISED OCTOBER 1990

**Error-Flag Function Table**

INPUTS		INTERNAL TO DEVICE	OUTPUT PRE-STATE	OUTPUT	FUNCTION
CLR	CLK	POINT "P"	ERR n-1	ERR	
H	↑	H	H	H	Sample
H	↑	X	L	L	
H	↑	L	X	L	
L	X	X	X	H	Clear

ERR n-1 represents the state of the ERR output before any changes at CLR, CLK, or point "P".

**error-flag waveforms**



**PRODUCT PREVIEW**



POST OFFICE BOX 655303 • DALLAS, TEXAS 75265

2-61

# 54ACT11833, 74ACT11833 8-BIT TO 9-BIT PARITY BUS TRANSCEIVERS

D3449, MARCH 1990—REVISED OCTOBER 1990

## absolute maximum ratings over operating free-air temperature range (unless otherwise noted)†

Supply voltage range, $V_{CC}$ .....	- 0.5 V to 7 V
Input voltage range, $V_I$ (see Note 1) .....	- 0.5 V to $V_{CC} + 0.5$ V
Output voltage range, $V_O$ (see Note 1) .....	- 0.5 V to $V_{CC} + 0.5$ V
Input clamp current, $I_{IK}$ ( $V_I < 0$ or $V_I > V_{CC}$ ) .....	$\pm 20$ mA
Output clamp current, $I_{OK}$ ( $V_O < 0$ or $V_O > V_{CC}$ ) .....	$\pm 50$ mA
Continuous output current, $I_O$ ( $V_O = 0$ to $V_{CC}$ ) .....	$\pm 50$ mA
Continuous current through $V_{CC}$ or GND pins .....	$\pm 225$ mA
Storage temperature range .....	- 65°C to 150°C

† Stresses beyond those listed under "absolute maximum ratings" may cause permanent damage to the device. These are stress ratings only and functional operation of the device at these or any other conditions beyond those indicated under "recommended operating conditions" is not implied. Exposure to absolute-maximum-rated conditions for extended periods may affect device reliability.

NOTE 1: The input and output voltage ratings may be exceeded if the input and output current ratings are observed.

## recommended operating conditions

	54ACT11833			74ACT11833			UNIT
	MIN	NOM	MAX	MIN	NOM	MAX	
$V_{CC}$ Supply voltage	4.5	5	5.5	4.5	5	5.5	V
$V_{IH}$ High-level input voltage	2			2			V
$V_{IL}$ Low-level input voltage	0.8			0.8			V
$V_I$ Input voltage	0 to $V_{CC}$			0 to $V_{CC}$			V
$V_O$ Output voltage	0 to $V_{CC}$			0 to $V_{CC}$			V
$I_{OH}$ High-level output current	- 24			- 24			mA
$I_{OL}$ Low-level output current	24			24			mA
$\Delta t/\Delta v$ Input transition rise or fall rate	0 to 10			0 to 10			ns/V
$T_A$ Operating free-air temperature	- 55 to 125			- 40 to 85			°C

PRODUCT PREVIEW



POST OFFICE BOX 655303 • DALLAS, TEXAS 75265

# 54ACT11833, 74ACT11833 8-BIT TO 9-BIT PARITY BUS TRANSCEIVERS

D3449, MARCH 1990—REVISED OCTOBER 1990

**electrical characteristics over recommended operating free-air temperature range (unless otherwise noted)**

PARAMETER		TEST CONDITIONS	V <sub>CC</sub>	T <sub>A</sub> = 25°C			54ACT11833		74ACT11833		UNIT
				MIN	TYP	MAX	MIN	MAX	MIN	MAX	
V <sub>OH</sub>	All outputs except ERR	I <sub>OH</sub> = -50 μA	4.5 V	4.4		4.4	4.4			V	
			5.5 V	5.4		5.4	5.4				
		I <sub>OH</sub> = -24 mA	4.5 V	3.94		3.7	3.8				
			5.5 V	4.94		4.7	4.8				
		I <sub>OH</sub> = -50 mA <sup>†</sup>	5.5 V			3.85					
I <sub>OH</sub> = -75 mA <sup>†</sup>	5.5 V				3.85						
V <sub>OL</sub>		I <sub>OL</sub> = 50 μA	4.5 V		0.1		0.1	0.1		V	
			5.5 V		0.1		0.1	0.1			
		I <sub>OL</sub> = 24 mA	4.5 V		0.36		0.5	0.44			
			5.5 V		0.36		0.5	0.44			
		I <sub>OL</sub> = 50 mA <sup>†</sup>	5.5 V				1.65				
I <sub>OL</sub> = 75 mA <sup>†</sup>	5.5 V					1.65					
I <sub>I</sub>	OEA, OEB, CLK, and CLR	V <sub>I</sub> = V <sub>CC</sub> or GND	5.5 V		± 0.1		± 1		± 1	μA	
I <sub>OZ</sub>	A or B ports, PARITY <sup>‡</sup>	V <sub>O</sub> = V <sub>CC</sub> or GND	5.5 V		± 0.5		± 10		± 5	μA	
I <sub>CC</sub>		V <sub>I</sub> = V <sub>CC</sub> or GND, I <sub>O</sub> = 0	5.5 V		8		160		80	μA	
ΔI <sub>CC</sub> <sup>§</sup>		One input at 3.4 V, Other inputs at GND or V <sub>CC</sub>	5.5 V		0.9		1		1	mA	
C <sub>i</sub>	OEA, OEB, CLK, and CLR	V <sub>I</sub> = V <sub>CC</sub> or GND	5 V		4.5					pF	
C <sub>io</sub>	A or B ports, PARITY	V <sub>O</sub> = V <sub>CC</sub> or GND	5 V		12						

<sup>†</sup> Not more than one output should be tested at a time, and the duration of the test should not exceed 10 ms.

<sup>‡</sup> For I/O ports, the parameter I<sub>OZ</sub> includes the input leakage current.

<sup>§</sup> This is the increase in supply current for each input that is at one of the specified TTL voltage levels rather than 0 V to V<sub>CC</sub>.

**timing requirements over recommended operating free-air temperature range, V<sub>CC</sub> = 5 V ± 0.5 V (unless otherwise noted) (see Note 2)**

			T <sub>A</sub> = 25°C		54ACT11833		74ACT11833		UNIT
			MIN	MAX	MIN	MAX	MIN	MAX	
t <sub>w</sub>	Pulse duration	CLK high	5		5		5		ns
		CLK low	5		5		5		
		CLR low	5		5		5		
t <sub>su</sub>	Setup time before CLK <sup>†</sup>	Bi and PARITY	14		14		14		ns
		CLR inactive	2		2		2		
t <sub>h</sub>	Hold time after CLK <sup>†</sup> , Bi and PARITY		0		0		0		ns

NOTE 2: Load circuit and voltage waveforms are shown in Section 1.

**operating characteristics, V<sub>CC</sub> = 5 V, T<sub>A</sub> = 25°C**

PARAMETER		TEST CONDITIONS		TYP	UNIT
C <sub>pd</sub>	Power dissipation capacitance per transceiver	Outputs enabled	A to B B to A	87	pF
				60	
	Outputs disabled	A to B B to A	28	pF	
			8		

PRODUCT PREVIEW



POST OFFICE BOX 655303 • DALLAS, TEXAS 75265

2-63