

**MKDS 1,5**

Pitch 5.0 or 5.08

(IEC)	rigid	flexible	I	U	
[mm <sup>2</sup> ]	solid	stranded	AWG	[A]	[V]
Connection data	0.14-2.5	0.14-1.5	26-14	22	250



Description	No. of positions	Dim. a [mm]	Type	Order No.	Pcs. Pkt.
<b>Printed circuit screw termination blocks, 5.0 mm pitch</b> , with housing interlocking, color: green	2	10	<b>MKDS 1,5/2</b>	<b>17 15 02 2</b>	50
	3	15	<b>MKDS 1,5/3</b>	<b>17 15 03 5</b>	
	4	20	<b>MKDS 1,5/4</b>	<b>17 15 04 8</b>	
	8	40	<b>MKDS 1,5/8</b>	<b>17 15 08 0</b>	
	12	60	<b>MKDS 1,5/12</b>	<b>17 15 12 9</b>	
<b>Printed circuit screw termination blocks, 5.08 mm pitch</b> , with housing interlocking, color: green	2	10.16	<b>MKDS 1,5/2-5,08</b>	<b>17 15 72 1</b>	50
	3	15.24	<b>MKDS 1,5/3-5,08</b>	<b>17 15 73 4</b>	
	4	20.32	<b>MKDS 1,5/4-5,08</b>	<b>17 15 74 7</b>	
	8	40.64	<b>MKDS 1,5/8-5,08</b>	<b>17 15 78 9</b>	
	10	50.80	<b>MKDS 1,5/10-5,08</b>	<b>17 15 80 2</b>	
	12	60.96	<b>MKDS 1,5/12-5,08</b>	<b>17 15 82 8</b>	

**Accessories**

(1) **Pitch spacer**, for adjusting the pitches between MKDS and GMKDS terminal blocks in mixed rows, 1.25 mm thick

**RZ 1,25-MKDS 1,5****17 02 04 8**

100

(4) **Screwdriver**, blade: 0.6 x 3.5 x 100 mm, length: 180 mm

**SZS 0,6 x 3,5****12 05 05 3**

10

(5) **Marker card**, with 12 pcs., 10-section marker strips, white, selfadhesive, for 120 terminal blocks

**SK 5/3,8... or SK 5,08/3,8...**(see [info](#))**Technical data****Dimensions**

see description

Pitch	[mm]	5 / 5.08
Hole diameter	[mm]	1.3
Pin dimensions	[mm]	0.9 x 0.9

**Technical data in accordance with IEC / DIN VDE**

Insulation material group	–	I		
Surge voltage category / contamination class	–/–	III / 3	III / 2	II / 2

Rated voltage	[V]	250	320	630
Rated surge voltage	[kV]	4	4	4
Nominal current / cross section	[A]/[mm <sup>2</sup> ]		17.5 / 1.5	
Maximum load current / cross section	[A]/[mm <sup>2</sup> ]		22 / 2.5	

**Connection capacity**

solid / stranded / conductor sizes	[mm <sup>2</sup> ]/[mm <sup>2</sup> ]/AWG	0.14 - 2.5 / 0.14 - 1.5 / 26 - 14
stranded with ferrules without / with plastic collar	[mm <sup>2</sup> ]	0.25 - 1.5 / 0.25 - 1.5

**Multiple connection (2 conductors with same cross section)**

solid / stranded	[mm <sup>2</sup> ]	0.14 - 1 / 0.14 - 0.75
stranded with ferrules without plastic collar	[mm <sup>2</sup> ]	0.25 - 0.5
stranded with TWIN ferrules with plastic collar	[mm <sup>2</sup> ]	0.5 - 1

**Stripping length** [mm] 7

**Internal cylindrical gage (IEC 947-1:1988)** - A 1

**Thread** - M 3

**Torque** [Nm] 0.5 - 0.6

**Insulation material** PA

Inflammability class acc. to UL 94 V2

Temperature indices RTI/Ti 125 / 100

**Approval data (UL and CSA)**

Nominal voltage / current / conductor sizes UL: [V] / [A] / AWG 300 / 10 / 30-14

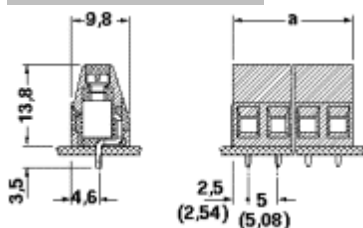
CSA: [V] / [A] / AWG 300 / 10 / 28-14

Articles printed in bold can be delivered at short notice.  
 Products with black or gray housing available on request.

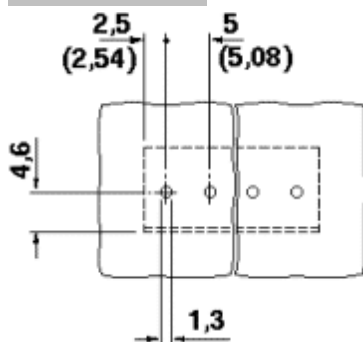
**Note:**

In order to avoid tolerances between the terminal blocks and the printed circuit board, the terminal row should be interrupted when the number of positions exceeds 30.

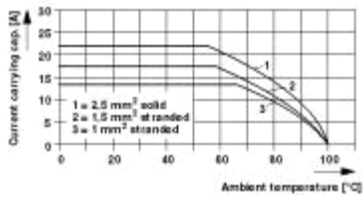
**Dimensional drawing**



**Drilling diagram**



**Diagram**



Current carrying capacity depending on the ambient temperature MKDS 1,5/2

