

# PD SERIES

# 100 and 150 Watts

## SPECIFICATIONS

All specifications apply @ + 25°C ambient unless otherwise noted. Due to advances in technology, specifications may change without notice.

### Input Specifications

Input Voltage Range . . . . . 21-60, 36-72, 55-110, 85-200, 170-400VDC  
 Nominal Input . . . . . 36, 48, 74, 155, 270 VDC  
 Input Filter . . . . . P-Input Filter  
 Remote ON/Off Control . . . . . Open Collector TTL Compatible

### Output Specifications

Output Current . . . . . see table  
 Voltage Tolerance . . . . . ± 1%  
 Output Trim (external) . . . . . ± 10%  
 Line Regulation . . . . . 0.1%  
 Load Regulation . . . . . 0.5%  
 Voltage Stability . . . . . will not drift more than 0.1% in 8 hours  
 Short Circuit Protection . . . . . current limiting, thermal shutdown  
 Over Voltage Protection . . . . . self resetting crowbar  
 Ripple/Noise . . . . . 1% of Vout  
 Current Limiting . . . . . 150%  
 Output Transient Response . . . . . w/in 1% steady state value in 150 µSec for 25% load change

### General Specifications

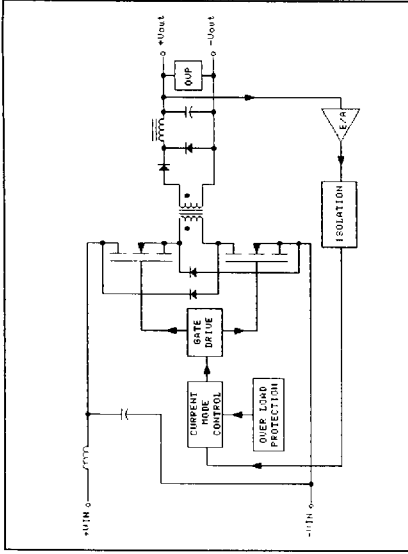
Efficiency . . . . . 80% minimum  
 Isolation Voltage, input to output . . . . . 500 VDC (min) @ 1µA  
 Remote Sense . . . . . up to 0.3VDC drop in power leads  
 Switching Frequency . . . . . 150KHz typical  
 Turn On Delay . . . . . 250mSec

### Environmental Specifications

Humidity . . . . . 20% - 95% R.H. (non-condensing)  
 Temperature Coefficient . . . . . 0.02% per °C  
 Commercial Operating Temperature . . . . . -25 to +85°C baseplate  
 Commercial Storage Temperature . . . . . -55 to +100°C  
 Industrial Operating Temperature . . . . . -40 to +85°C baseplate  
 Industrial Storage Temperature . . . . . -55 to +100°C

### Physical Specifications

Shielding Connections . . . . . 8-sided shielding  
 Case Material . . . . . Black epoxy coated metal, with aluminum base plate



Simplified Schematic - High Voltage Input

## FEATURES

- 100 and 150 watts
- High Voltage Input for Off-line Applications
- Available with Commercial or Industrial Rating
- Fixed Frequency Operation
- Industry Standard Pin-Outs Available
- 26 Watts Per Cubic Inch
- Parallelable/Active Current Sharing
- 5 Year Warranty

## The PD Series from Wall Industries

The PD Family of low profile 100 and 150 watt DC/DC converters utilizes through-hole technology and planar magnetics to offer a premium power source for a variety of applications. These encapsulated converters offer reverse polarity protection, high efficiencies, fixed frequency, overload and over voltage protection.

9564164 0000264 875

