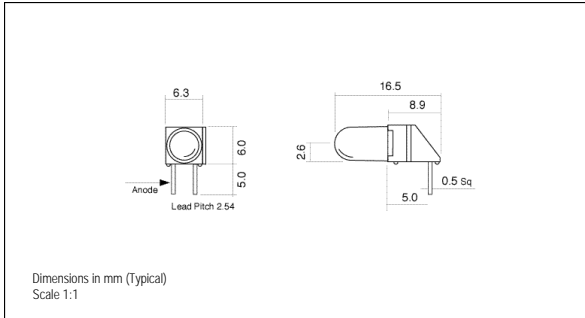


PCB MOUNTING LEDs - Ø 5mm

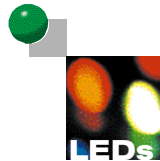


- High intensity light output
- Full colour range
- Side-stackable housing
- Reverse polarity options available



154 SERIES

MLQ = 50



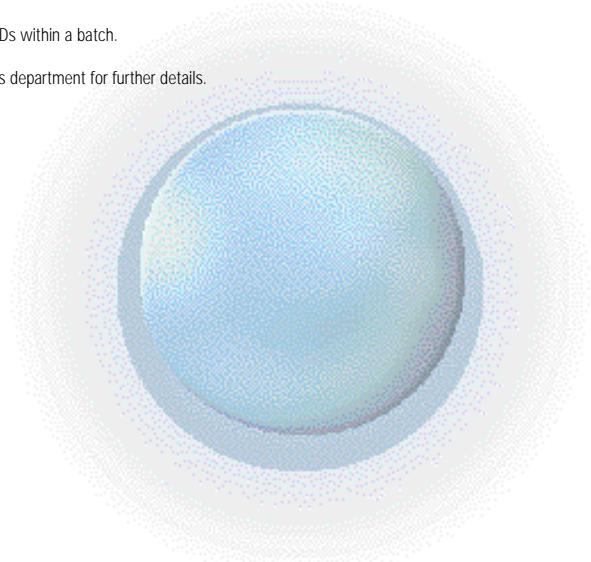
Ordering Information & Typical Technical Characteristics (Ta = 25°C)

Mean Time Between Failure = 100,000 Hours. Luminous intensity figures refer to the unmodified discrete LED.

PART NUMBER	COLOUR	LENS	VOLTAGE DC V _f @20mA	CURRENT DC I _{opr}	LUMINOUS INTENSITY I _v @20mA	WAVE LENGTH p	VIEWING ANGLE	OPERATING TEMP Topr	STORAGE TEMP Tstg
HIGH INTENSITY									
154-501-04	Red	Water Clear	1.9	20	2750	660	Narrow	-20 ~ +60	-30 ~ +85
154-521-04	Yellow		2.0	20	4500	590			
154-532-04	Green		3.4	20	6000	525			
154-930-04	Blue		3.4	20	2000	470			
154-997-04	White		3.4	20	3000	•			
UNITS			Vdc	mA	mcd	nm		°C	°C

• = Typical emission colour: x=0.31, y=0.32. Colour temperature 8000K.
Intensities (I_v) and colour shades of white (x,y co-ordinates) may vary between LEDs within a batch.

Please note - Other lead lengths are available on request. Please contact our Sales department for further details.



FOR NEW PRODUCTS SEE OUR WEBSITE