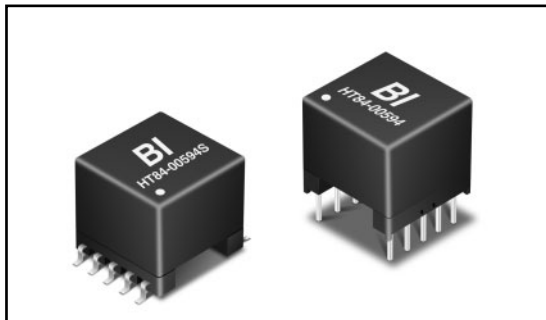


MODEL HT84 SERIES

ADSL Coupling Transformers

NEW PRODUCT



FEATURES AND BENEFITS

- Supports industry standard ADSL/ADSL Lite transceivers
- Excellent total harmonic distortion characteristics
- Meets standard dielectric withstanding voltage requirements
- Conforms to ANSI, ITU and ETSI standards
- Operating temperature range of -40°C to +85°C
- Can be customized to meet unique specifications

APPLICATIONS

- Designed for line rates up to 8 Mb/s applications
- Designs available for multiple data rates
- ADSL coupling transformer

Specifications subject to change without notice.
Last Update: 01/08/2003.

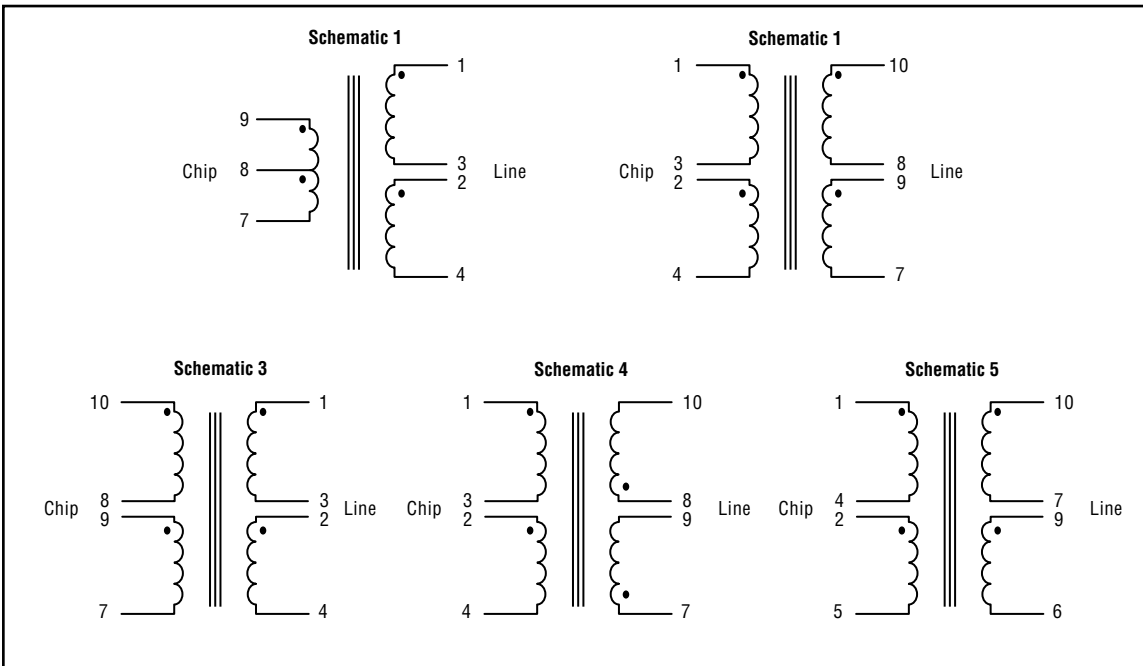
6

ELECTRICAL @ 25°C

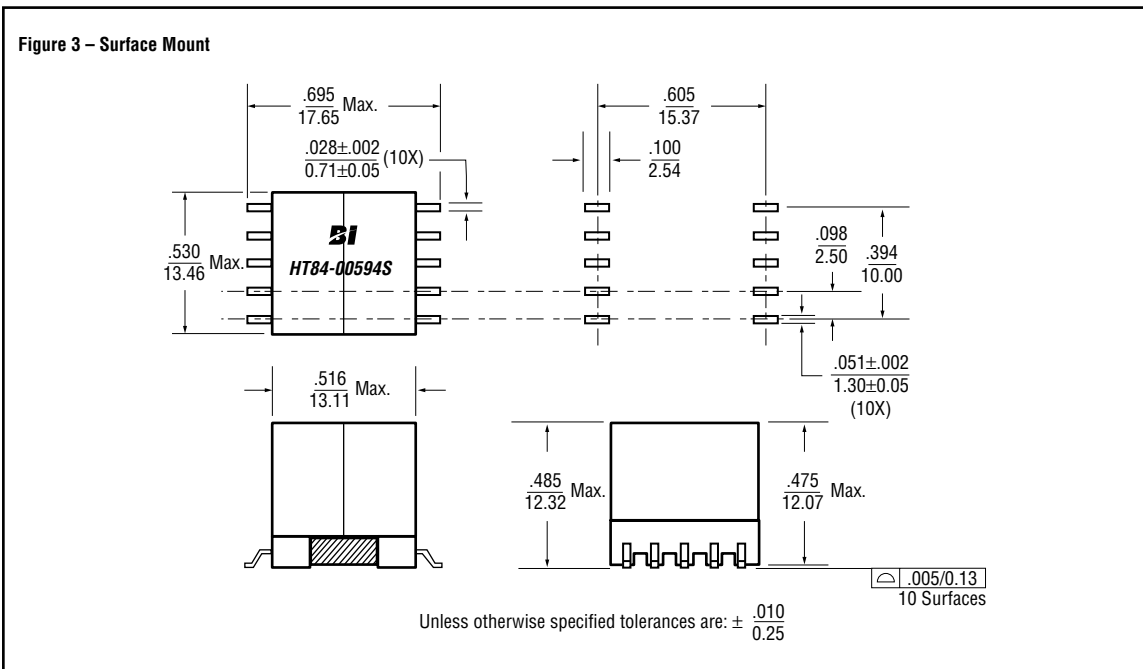
Part Number	Application	Turns Ratio Chip-Line	Open Circuit Inductance Chip Side ⁽¹¹⁾ ± 10%	Return Loss @ Mid Band dB Min.	Insertion Loss dB Max.	Longitudinal Balance ⁽¹³⁾ dB Min.	THD dB Max.	Fig.	Sch.
HT84-00594 ⁽¹⁾	COE	1:1:2:2	110µH	16 .2-2 MHz	3.0 .4-2MHz	40 .25-1.1MHz	-75 ⁽¹²⁾	2 or 3	3
HT84-00595 ⁽⁷⁾	COE	1.41:1	940µH	16.5 .4-2 MHz	3.0 .4-2MHz	60 .40-320kHz	-80 ⁽¹²⁾	2 or 3	3
HT84-00596 ⁽⁹⁾	CPE	1:1:1:1	410µH	16 03-1.1MHz	3.0 .3-2MHz	55 .25-1.1MHz	-85 ⁽¹²⁾	2 or 3	2
HT84-00597 ⁽¹⁰⁾	COE	1:1.41	475µH	16 40-200kHz	1.0 .3-2MHz	55 .25-1.1MHz	-70 ⁽¹²⁾	2 or 3	2
HT84-00879 ⁽¹⁵⁾	CPE	1:1:1:1	470µH±5%	10 0.1-1.1MHz	1.5 1MHz	50 0.02-1.1MHz	-82 ⁽¹⁴⁾	3	4
HT84-00880 ⁽¹⁶⁾	CPE	1:1:1:1	470µH±5%	8 0.1-1.1MHz	1.0 1MHz	50 0.02-1.1MHz	-82 ⁽¹⁴⁾	3	4
HT84-00881 ⁽¹⁷⁾	CPE	1:1:1:1	470.5µH±5%	10 0.1-1.1MHz	0.7 1MHz	50 0.02-1.1MHz	-82 ⁽¹⁴⁾	3	5
HT84-99725 ⁽²⁾	CPE	1:1:1:1	440µH	16 .2-2MHz	3.0 .4-2MHz	40 .25-1.1MHz	-70 ⁽¹²⁾	2 or 3	3
HT84-99726 ⁽³⁾	COE	1ct:1.2	2.75mH	16.5 .4-2MHz	1.0 .3-1MHz	40 .25-1.1MHz	-80 ⁽¹²⁾	2 or 3	1
HT84-99727 ⁽⁴⁾	CPE	1.8:1	12.96mH	16 .3-1.1MHz	1.0 .3-1MHz	40 .25-1.1MHz	-75 ⁽¹²⁾	2 or 3	1
HT84-99728 ⁽⁵⁾	CO/CP	1:1:1:1	5.0mH	16.5 .3-1.1MHz	1.0 .3-2MHz	40 .25-1.1MHz	-80 ⁽¹²⁾	2 or 3	3
HT84-99729 ⁽⁶⁾	COE	1.41:1	940µH	16.5 .4-2MHz	3.0 .4-2MHz	62 40-320MHz	-70 ⁽¹²⁾	1	2
HT84-99730 ⁽⁸⁾	CPE	1:1:1:1	410µH	16 .3-1.1MHz	3.0 .3-2MHz	55 .25-1.1MHz	-85 ⁽¹²⁾	2 or 3	3

- Notes:** (1) Supports Alcatel MTK20131/134AFE with DCR ≤0.5/0.8Ω.
(2) Supports Alcatel MTK20131/134AFE with DCR ≤2.0/1.2Ω.
(3) Supports Motorola MCH145650 (MC03AX1256CO line driver) with DCR ≤4.0/1.91, 1.91Ω.
(4) Supports Motorola MCH145650 (MC03AX1256CO line driver) with DCR ≤7.4/2.1, 2.1Ω.
(5) Supports Analog Devices AD20MSP910/918 with DCR ≤3.0/3.0Ω.
(6) Supports Globespan 7M640 with DCR ≤1.2/1.2Ω and DWV at 3,000 Vrms.
(7) Supports Globespan 7M640 with DCR ≤1.2/1.2Ω.
(8) Supports Elantec EL-1501 with DCR ≤1.0/1.0Ω.
(9) Supports Alcatel MTK 20131/134AFE with DCR ≤1.3/1.2Ω.
(10) Supports Elantec EL-1501 with DCR ≤1.4/2.2Ω.
(11) OCL tested @ 10kHz, 100mV with appropriate IDC.
(12) THD tested @ 5kHz, 6Vp-p with 100Ω load.
(13) Longitudinal balance: frequency range specified at 100Ω.
(14) THD tested @50kHz, 5.3 Vrms.
(15) Supports ITeX Apollo II/STMicroelectronics with DCR : 2.53/2.56Ω.
(16) Supports ITeX Apollo II/STMicroelectronics & Alcatel MTK-20140 with DCR : 3.4/3.45Ω.
(17) Supports Globespan EL1501 with DCR <0.8/0.8Ω.

SCHEMATICS



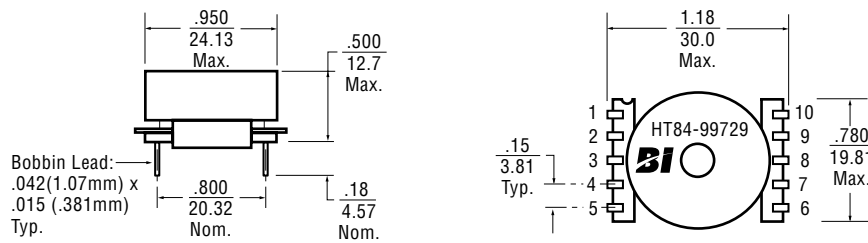
OUTLINE DIMENSIONS (Inch/mm)



6

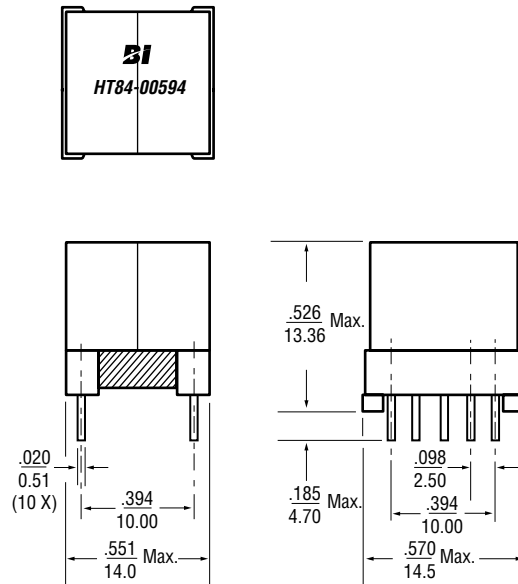
OUTLINE DIMENSIONS (Inch/mm)

Figure 1 – Through-Hole



Unless otherwise specified tolerances are: $\pm \frac{.010}{0.25}$

Figure 2 – Through-Hole



Unless otherwise specified tolerances are: $\pm \frac{.010}{0.25}$

PACKAGING

Standard: Plastic Tubes

Capacity	Figure 1	=	45 Units
	Figures 2 & 3	=	60 Units

ORDERING INFORMATION

