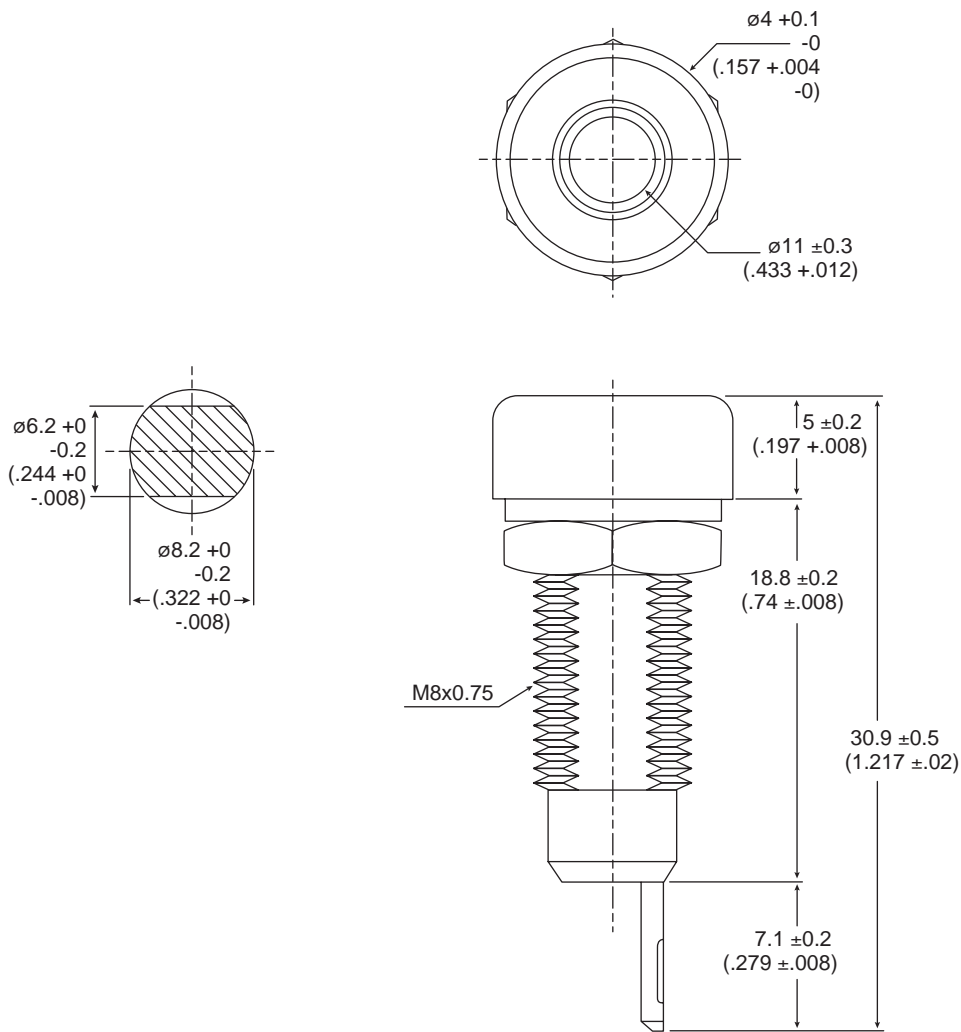


Banana Plug

164-R122R, 164-R122B



Banana Plug



Dimensions: mm (In.)

MECHANICAL SPECIFICATIONS	
Insulation:	Nylon UL 94V-2
Metal:	Nickel plated brass
Panel Thickness:	.5 - 10mm
Color:	R122B = Black R122R = Red

ELECTRICAL SPECIFICATIONS	
Rating:	10A 125V AC
Insulator Resistance:	DC 500V 100M Ω min.
Voltage Breakdown:	AC1000V 1 minute
Temperature Range:	-10° to +80°C

164-R122R, 164-R122B

Date Last Revised: 08-19-04

Available from Mouser Electronics
1-800-346-6873
www.mouser.com

KC-300111