

PLEASE CHECK WWW.MOLEX.COM FOR LATEST PART INFORMATION

Part Number: [5016461200](#)
Status: **Active**
Overview: [igrid](#)
Description: 2.00mm (.079") Pitch iGrid™ Wire-to-Board Housing, Dual Row, Positive Lock, 12 Circuits

Documents:

[3D Model](#) [Product Specification PS-501646-001 \(PDF\)](#)
[Drawing \(PDF\)](#) [RoHS Certificate of Compliance \(PDF\)](#)

General

Product Family	Crimp Housings
Series	501646
MolexKits	Yes
Overview	igrid
Product Name	iGrid™

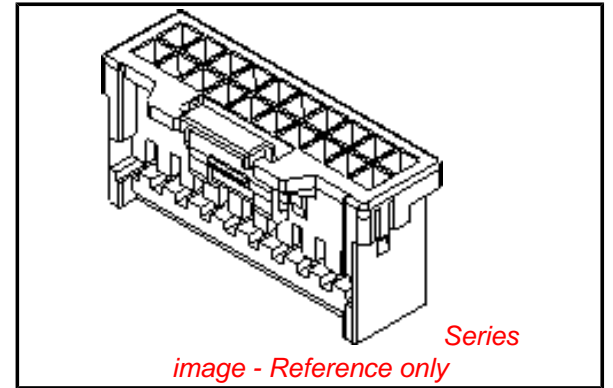
Physical

Circuits (maximum)	12
Color - Resin	Natural
Gender	Female
Glow-Wire Compliant	No
Lock to Mating Part	Yes
Material - Resin	Nylon
Number of Rows	2
Packaging Type	Bag
Panel Mount	No
Pitch - Mating Interface (in)	0.079 In
Pitch - Mating Interface (mm)	2.00 mm
Polarized to Mating Part	Yes
Stackable	No
Temperature Range - Operating	-25°C to +85°C

Material Info

Reference - Drawing Numbers

Product Specification	PS-501646-001, RPS-501646-001, RPS-501646-002, RPS-501646-003, RPS-501646-004, RPS-501646-005, RPS-501646-006, RPS-501646-007, RPS-503091-001
Sales Drawing	SD-501646-001



EU RoHS

ELV and RoHS Compliant
REACH SVHC
Contains SVHC: No
Halogen-Free Status

China RoHS



Need more information on product environmental compliance?

Email productcompliance@molex.com
 For a multiple part number RoHS Certificate of Compliance, [click here](#)

Please visit the [Contact Us](#) section for any non-product compliance questions.

Search Parts in this Series

[501646Series](#)

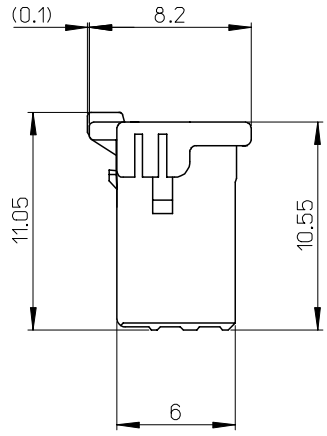
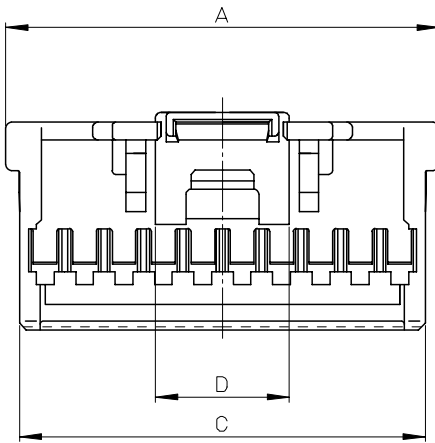
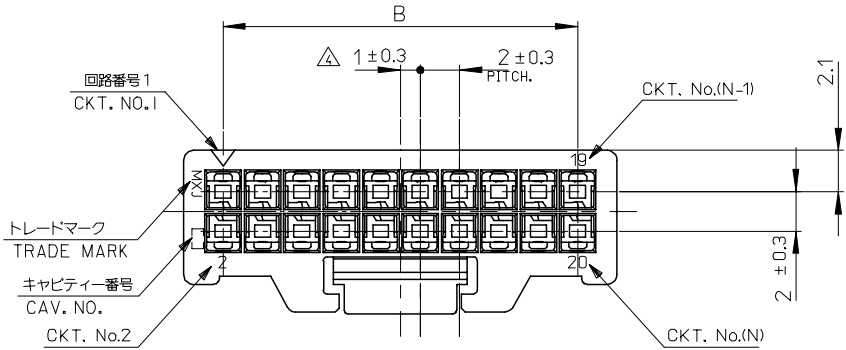
Mates With

[501645](#) Vertical Header . [501876](#) Right Angle Header

Use With

[501647](#) 22-26 AWG Terminal . [501648](#) 26-28 AWG Terminal

10 9 8 7 6 5 4 3 2 1



注記 NOTES

1. 材料 MATERIAL
ハウジング : 66ナイロン, UL94V-0
HOUSING : 66NYLON, UL94V-0
2. 嵌合相手 :501645 シリーズ
MATE WITH : 501645 SERIES
3. 適合ターミナル : 501647 シリーズ
APPLICABLE TERMINAL : 501647 SERIES

△ (全極数/2) = 偶数の場合に適用。
APPLY FOR (CIRCUIT/2)=EVEN

△ 製品番号 MATERIAL NO.
501646 -0***
極数 CIRCUIT SIZE 色 COLOR

ナチュラル NATURAL	0
黒 BLACK	1
赤 RED	2
黄 YELLOW	3
青 BLUE	4
桃 PINK	5
緑 GREEN	6
茶 BROWN	7
橙 ORANGE	8
紫 VIOLET	9

6.8	40.6	38	42	501646 -400*	40
6.8	38.6	36	40	-380*	38
6.8	36.6	34	38	-360*	36
6.8	34.6	32	36	-340*	34
6.8	32.6	30	34	-320*	32
6.8	30.6	28	32	-300*	30
6.8	28.6	26	30	-280*	28
6.8	26.6	24	28	-260*	26
6.8	24.6	22	26	-240*	24
6.8	22.6	20	24	-220*	22
6.8	20.6	18	22	-200*	20
6.8	18.6	16	20	-180*	18
6.8	16.6	14	18	-160*	16
6.8	14.6	12	16	-140*	14
6.8	12.6	10	14	-120*	12
5.1	10.6	8	12	501646 -100*	10
D	C	B	A	△ MATERIAL NO. CKT.	

REVISED EC NO: J2006-1309 DRWN: NITO 2005/10/20 CHKD: ASAKAWA 2005/10/21 APPR: S. CHIKAWA 2005/10/21	GENERAL TOLERANCES (UNLESS SPECIFIED)		DIMENSION STYLE MM ONLY		SCALE 4:1	DESIGN UNITS METRIC	THIRD ANGLE PROJECTION	
	10 UNDER	±0.2	DRAWN BY N. ITO	DATE '05/07/04	TITLE 2.0MM W/B DUAL CONN DIP RCPT HSG			
	10 OVER 30 UNDER	±0.25	CHECKED BY ASAKAWA	DATE '05/07/04				
	30 OVER	±0.3	APPROVED BY ICHIKAWA	DATE '05/07/04	MOLEX INCORPORATED			
	ANGULAR	±3 °	MATERIAL NO. 501646-**-0*	DOCUMENT NO. SD-501646-001				
DRAFT WHERE APPLICABLE MUST REMAIN WITHIN DIMENSIONS		SIZE A3	THIS DRAWING CONTAINS INFORMATION THAT IS PROPRIETARY TO MOLEX INCORPORATED AND SHOULD NOT BE USED WITHOUT WRITTEN PERMISSION					