

**Description**

The PUMA 68F64006 is a high density 64 MBit CMOS 5V ONLY FLASH memory module in a JEDEC 68 pin surface mount PLCC, with read access times of 90, 120 and 150ns. The plastic device is screened in to ensure high reliability.

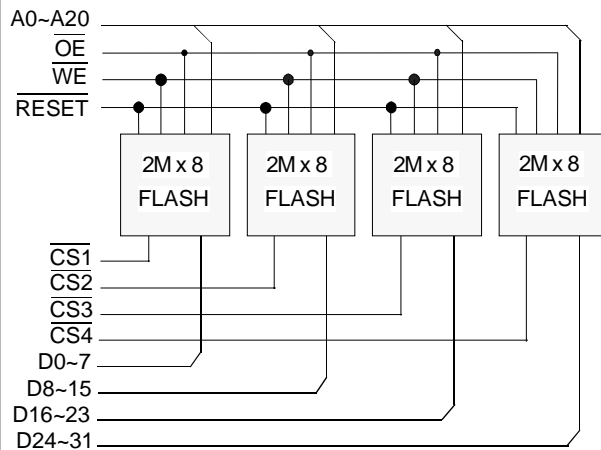
The device is capable of 10,000 Write/Erase cycles and has 10 year data retention.

**Features**

- 64 Megabit FLASH module.
- Fast Access Times of 90/120/150 ns.
- Output Configurable as 32 / 16 / 8 bit wide.
- Industrial, Military or Military (High Rel) Grade.
- Erase/Write Cycle Endurance 100,000 (Min.) - E variant.
- 10 year data retention.

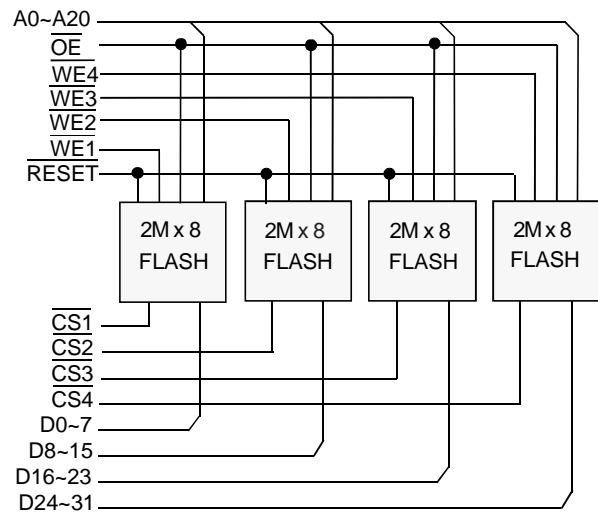
**Block Diagram**

PUMA 68F64006



**Block Diagram**

68F64006A

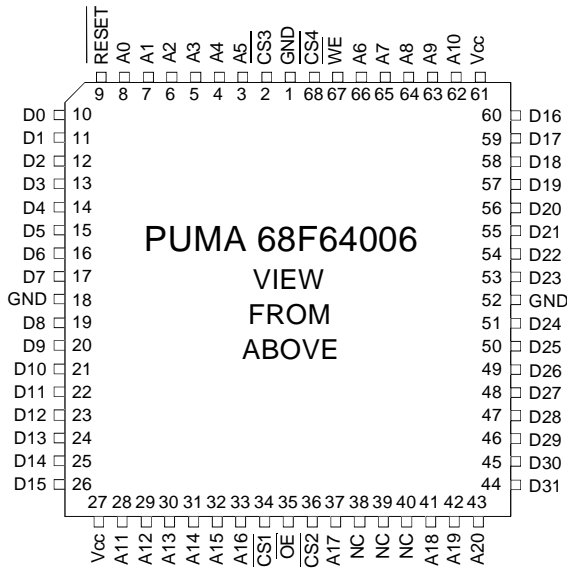


**Pin Functions**

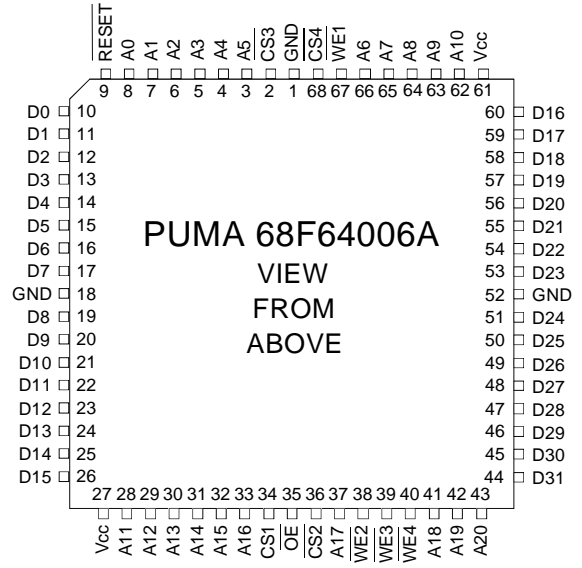
<b>A0~A20</b>	<b>Address Input</b>	<b>RESET</b>	<b>State Machine Reset</b>
<b>D0~D31</b>	<b>Data Inputs/Outputs</b>	<b>CS1~4</b>	<b>Chip Selects</b>
<b>WE1~4</b>	<b>Write Enable</b>	<b>OE</b>	<b>Output Enable</b>
<b>Vcc</b>	<b>Power (+5V)</b>	<b>GND</b>	<b>Ground</b>

**Pin Definitions**

PUMA 68F64006

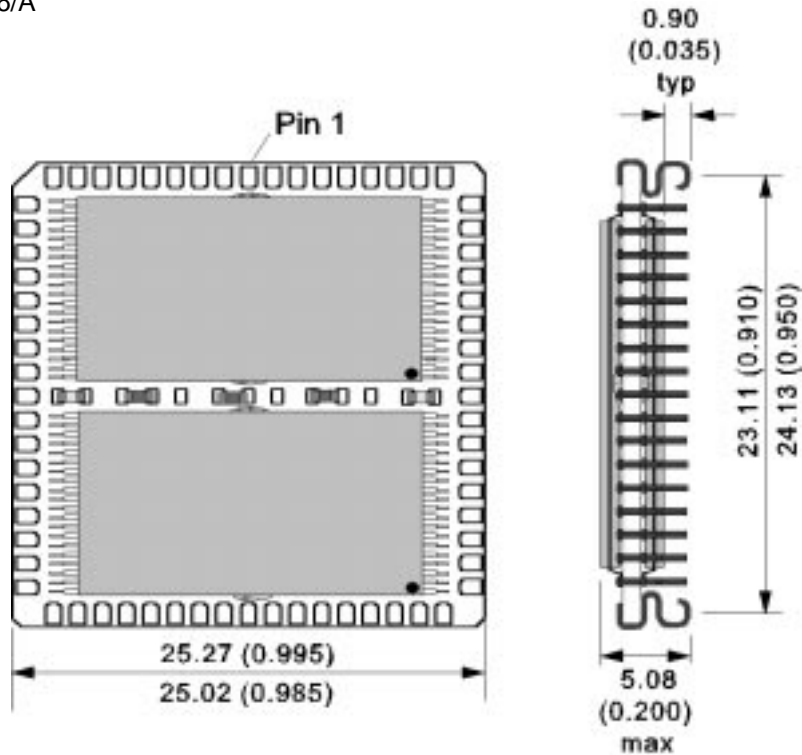


PUMA 68F64006A



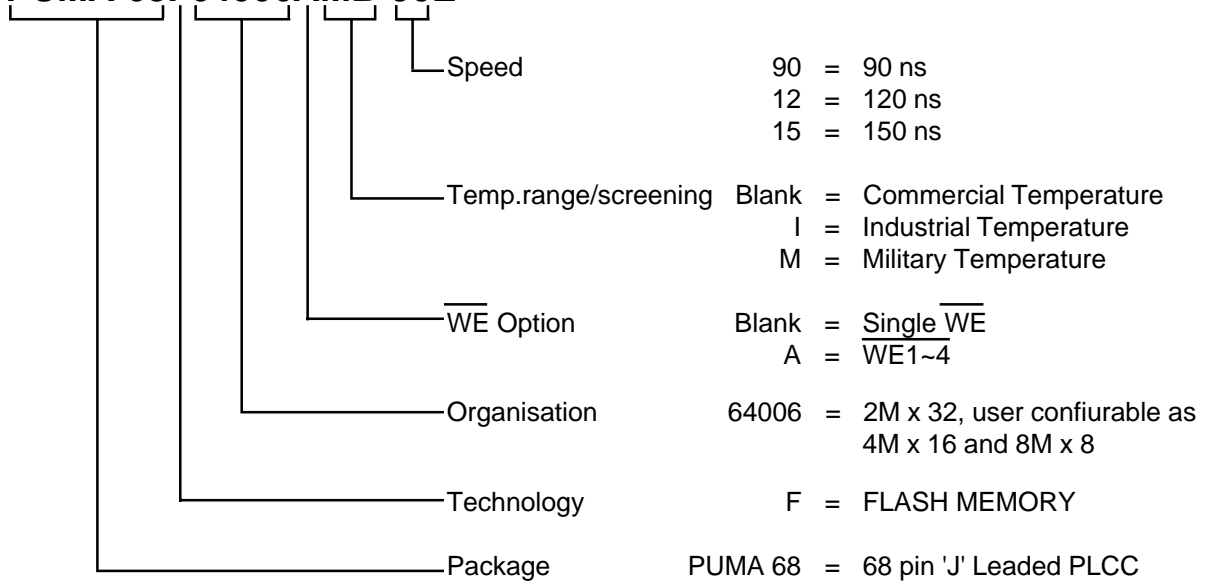
**Package Details**

PUMA 68F64006/A



**Ordering Information**

**PUMA 68F64006AMB-90E**



**NOTE : E is designated to parts with extended Erase/Write Cycle Endurance (100,000 Min.). If not specified when ordered only a Erase/Write Cycle Endurance of 10,000 Minimum can be guaranteed.**

**Note :**

Although this data is believed to be accurate the information contained herein is not intended to and does not create any warranty of merchantability or fitness for a particular purpose. Our products are subject to a constant process of development. data may be changed at any time without notice. Products are not authorised for use as critical components in life support devices without the express written approval of a company director.