

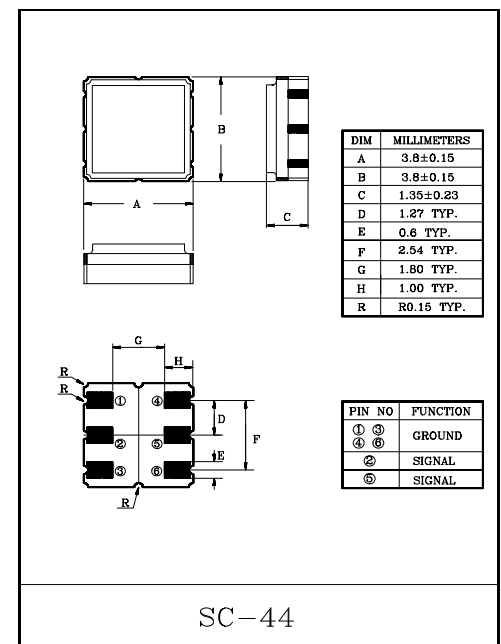
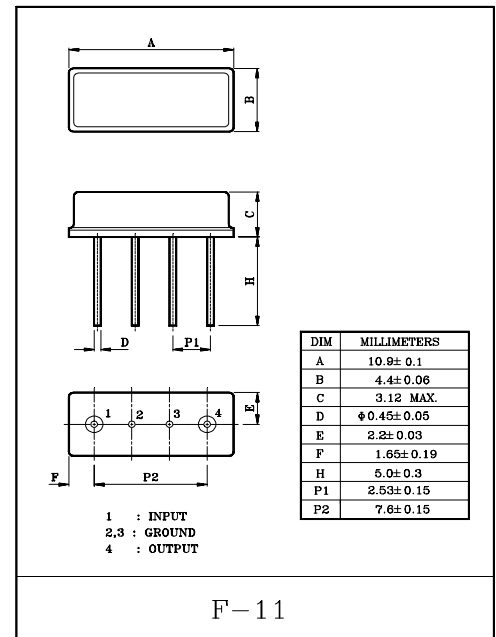
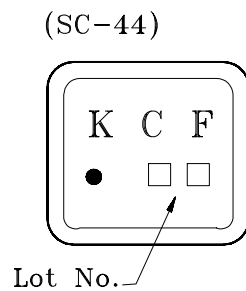
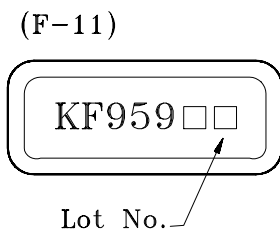
Band pass filters for RF circuits of Cordless phone (CT-1)

- High stability and reliability with good performance and no adjustment.
- Wide and sharp pass band characteristics.
- Low insertion loss and deep stop band attenuation for interference.
- KF959 : F-11 Package
- KF959V : SC-44 Package.

MAXIMUM RATINGS (T_a=25°C)

ITEM	SYMBOL	RATING	UNIT
Input Signal Level	IS _{max}	10	dBm
DC Permissive Voltage	V _{DC}	0	V
Operating Temperature Range	T _{opr}	-10~+60	°C
Storage Temperature Range	T _{stg}	-40~+85	°C

MARKING



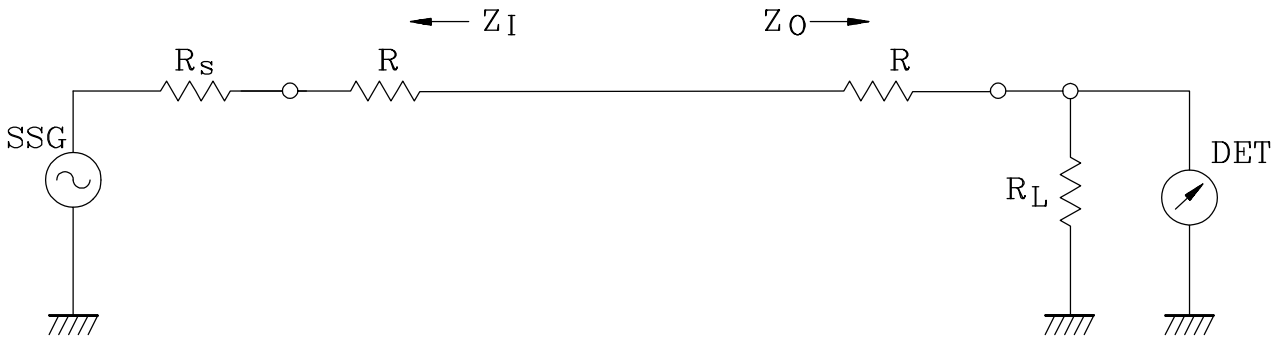
ELECTRICAL CHARACTERISTICS (Temperature 25±2°C, Humidity 65±5%)

ITEMS	SYMBOL	TEST CONDITION	MIN.	TYP.	MAX.	UNIT
Nominal Center Frequency	f ₀	-	-	959.5	-	MHz
Bandwidth	BW _{3dB}	-	f ₀ ±1.0	-	-	MHz
Insertion Loss	IL _{PASS}	f ₀ ±1.0MHz	-	-	3.5	dB
Ripple Level	A _{RIP}	f ₀ ±1.0MHz	-	-	1.5	dB
Rejection Level	IL _{STOP}	f ₀ -44.4~f ₀ -42.4MHz	45	50	-	dB
		f ₀ -22.7~f ₀ -20.7MHz	10	35	-	
		f ₀ +20.7~f ₀ +22.7MHz	20	40	-	
		f ₀ +42.4~f ₀ +44.4MHz	40	50	-	
Input/Output Impedance	Z _i (Z _o)	-	-	50Ω+10nH	-	-

KF959/V

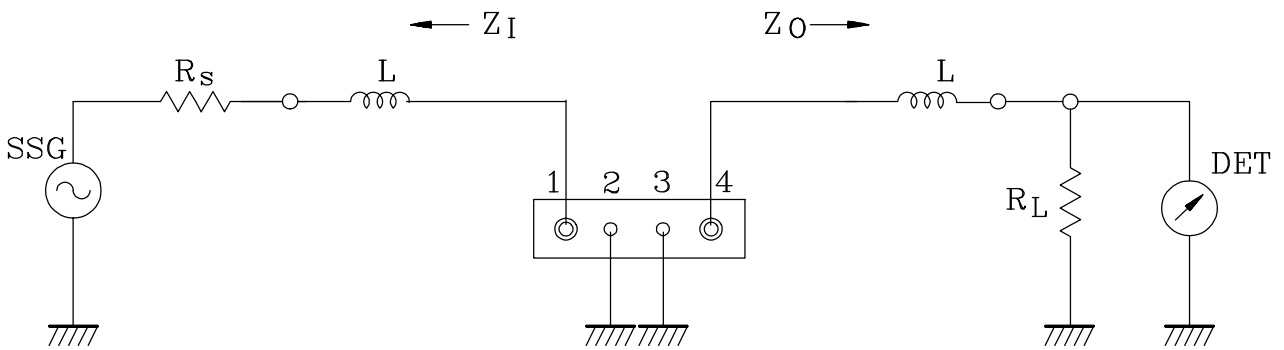
TEST CIRCUIT

REFERENCE LEVEL TEST CIRCUIT



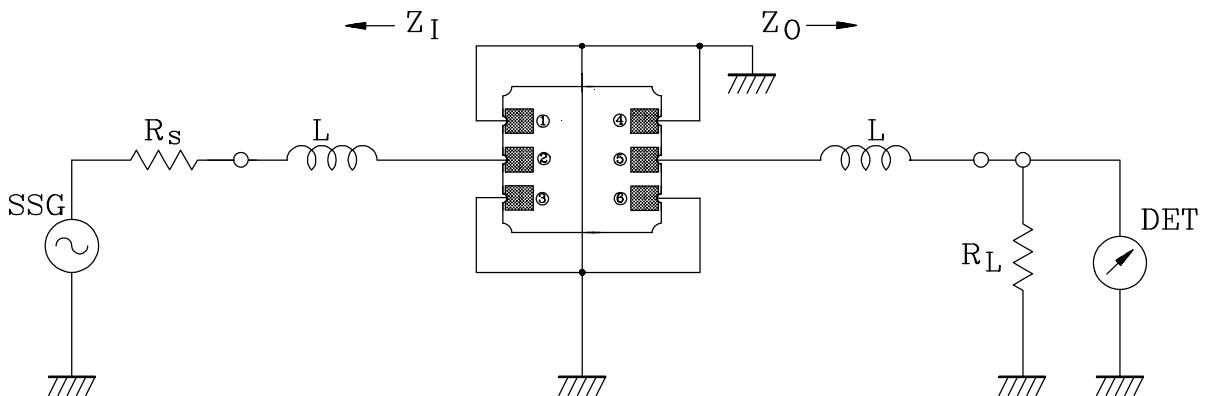
$R_s, R_L : 50\Omega$ (Internal Impedance of Source and Load)
 $R : 0\Omega$
 $Z_I(Z_O) = R_s(R_L) + R$

MEASUREMENT CIRCUIT



1: Input 2,3: Ground 4: Output

$R_s, R_L : 50\Omega$ (Internal Impedance of Source and Load)
 $L : 10\text{nH}$
 $Z_I(Z_O) = R_s(R_L) + L$



② INPUT ①, ③, ④, ⑥, GROUND ⑤ OUTPUT