

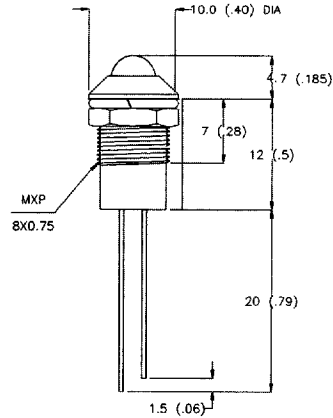
**SSI-LXR3816 SERIES T-5mm METAL BEZEL LED INDICATORS**

- |   |   |   |
|---|---|---|
| <b>FEATURES</b><br>• Easy Panel Installation<br>• Brass Housing<br>• Choice of Colors<br>• Lead Lengths Optional<br>• Optional Black Anodize Finish | <b>APPLICATIONS</b><br>• Panel Indicators<br>• Status Indicators<br>• Instrument Indicators<br>• Annunciators | <b>MATERIAL SPECIFICATIONS</b><br>• Holder: Brass/Chrome Finish<br>• Termination: Pins or Insulated<br>• (6") 24AWG Leads (-/150)<br>• Installation: 5/16" Panel Hole |
|---|---|---|

LUMEX PART NBR	EMITTED COLOR		OPERATING CURRENT (mA)	OPERATING TYP Volts (V)	BRIGHTNESS		LED SERIES USED
	PEAK(nm)				TYP (mCD) @	mA	
SSI-LXR3816ID/-150	RED	635	10-25	2.1	15	20	SSL-LX5093XX
SSI-LXR3816SRD/-150	RED	660	10-25	1.7	75	20	SSL-LX5093XX
SSI-LXR3816GD/-150	GREEN	565	10-25	2.1	15	20	SSL-LX5093XX
SSI-LXR3816YD/-150	YELLOW	585	10-25	2.1	15	20	SSL-LX5093XX
<b>BI-COLOR OPTION</b>							
SSI-LXR3816GHW/-150	RED/GREEN	695/565	10-25	2.1	8/8	20	SSL-LX5093HGW
<b>FIXED VOLTAGE OPTIONS</b>							
SSI-LXR3816ID-5V/-150	RED	635	20 max.	5.0	12	5V	SSL-LX5093XX-5V
SSI-LXR3816GD-5V/-150	GREEN	565	20 max.	5.0	12	5V	SSL-LX5093XX-5V
SSI-LXR3816YD-5V/-150	YELLOW	585	20 max.	5.0	12	5V	SSL-LX5093XX-5V
<b>BLINKING OPTION</b>							
SSI-LXR3816ID/-150	RED	635	10-20	3-15V	8	9V	SSL-LX5093BXX

See pages 8-14 for Max. operating limits and operating curves

DIMENSIONS (mm/inch) ±.2mm



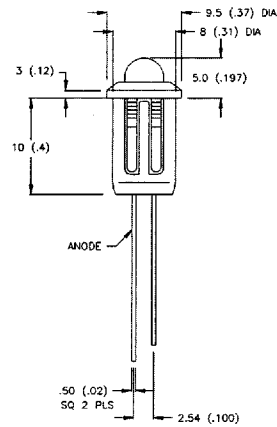
**SSI-LXR5010 SERIES T-5mm BLACK BEZEL LED INDICATORS**

- |   |   |   |
|---|---|---|
| <b>FEATURES</b><br>• Easy Panel Installation<br>• Attractive Bezel<br>• Choice of Colors<br>• Lead Lengths Optional | <b>APPLICATIONS</b><br>• Panel Indicators<br>• Status Indicators<br>• Instrument Indicators<br>• Annunciators | <b>MATERIAL SPECIFICATIONS</b><br>• Holder: Black ABS<br>• Termination: Pins or Insulated Leads (-/150)<br>• Installation: 5/16" Panel Hole |
|---|---|---|

LUMEX PART NBR	EMITTED COLOR		OPERATING CURRENT (mA)	OPERATING TYP Volts (V)	BRIGHTNESS		LED SERIES USED
	PEAK(nm)				TYP (mCD) @	mA	
SSI-LXR5010ID/-150	RED	635	10-25	2.1	16	20	SSL-LX5093XX
SSI-LXR5010RD/-150	RED	660	10-25	1.7	70	20	SSL-LX5093XX
SSI-LXR5010GD/-150	GREEN	565	10-25	2.1	16	20	SSL-LX5093XX
SSI-LXR5010YD/-150	YELLOW	585	10-25	2.1	16	20	SSL-LX5093XX
<b>BI-COLOR OPTION</b>							
SSI-LXR 5010HGW/-150	RED/GREEN	695/565	10-25	2.1	8/8	20	SSL-LX5093HGW
<b>FIXED VOLTAGE OPTIONS</b>							
SSI-LXR5010ID-5V/-150	RED	635	20 max.	5.0	12	5V	SSL-LX5093XX-5V
SSI-LXR5010GD-5V/-150	GREEN	565	20 max.	5.0	12	5V	SSL-LX5093XX-5V
SSI-LXR5010YD-5V/150	YELLOW	585	20 max.	5.0	12	5V	SSL-LX5093XX-5V
<b>BLINKING OPTION</b>							
SSI-LXR5010ID/-150	RED	635	10-20	3-15V	8	9V	SSL-LX5093BXX

See pages 8 - 14 for Max.operating limits and operating curves

DIMENSIONS (mm/inch) ±.2mm



**SSI-LXR5020 SERIES T-5mm BLACK BEZEL LED INDICATORS**

- |   |   |  |
|---|---|--|
| <b>FEATURES</b><br>• Easy Panel Installation<br>• Attractive Bezel<br>• Choice of Colors<br>• Lead Lengths Optional | <b>APPLICATIONS</b><br>• Panel Indicators<br>• Status Indicators<br>• Instrument Indicators<br>• Annunciators | <b>MATERIAL SPECIFICATIONS</b><br>• Holder: Black ABS<br>• Termination: Pins or Insulated Leads (/150)<br>• Installation: 5/16" Panel Hole |
|---|---|--|

LUMEX PART NBR	EMITTED COLOR		OPERATING CURRENT (mA)	OPERATING TYP Volts (V)	BRIGHTNESS		LED SERIES USED
	PEAK(nm)				TYP (mCD) @	mA	
SSI-LXR5020ID/-150	RED	635	10-25	2.1	16	20	SSL-LX5093XX
SSI-LXR5020SRD/-150	RED	660	10-25	1.7	70	20	SSL-LX5093XX
SSI-LXR5020GD/-150	GREEN	565	10-25	2.1	16	20	SSL-LX5093XX
SSI-LXR5020YD/-150	YELLOW	585	10-25	2.1	16	20	SSL-LX5093XX
<b>BI-COLOR OPTION</b>							
SSI-LXR 5020HGW/-150	RED/GREEN	695/565	10-25	2.1	8/8	20	SSL-LX5 093HGW
<b>FIXED VOLTAGE OPTIONS</b>							
SSI-LXR5020ID-5V/-150	RED	635	20 max.	5.0	12	5V	SSL-LX5093XX-5V
SSI-LXR5020GD-5V/-150	GREEN	565	20 max.	5.0	12	5V	SSL-LX5093XX-5V
SSI-LXR5020YD-5V/150	YELLOW	585	20 max.	5.0	12	5V	SSL-LX5093XX-5V
<b>BLINKING OPTION</b>							
SSI-LXR5020ID/-150	RED	635	10-20	3-15V	8	9V	SSL-LX5093BXX

See pages 8 - 14 for Max.operating limits and operating curves

DIMENSIONS (mm/inch) ±.2mm

