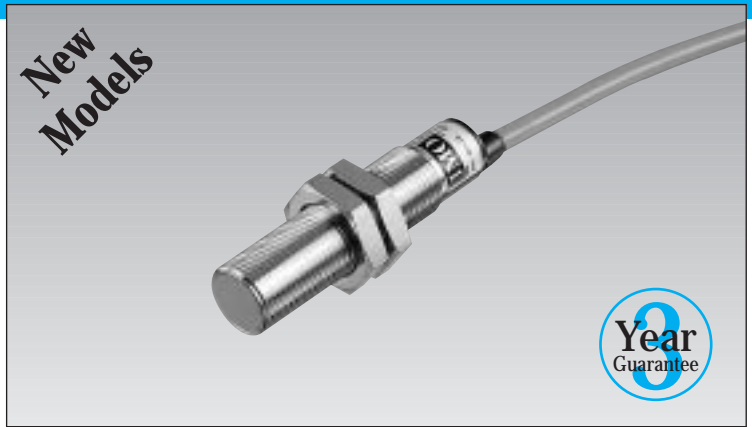


Compact inductive proximity switches for DC operation

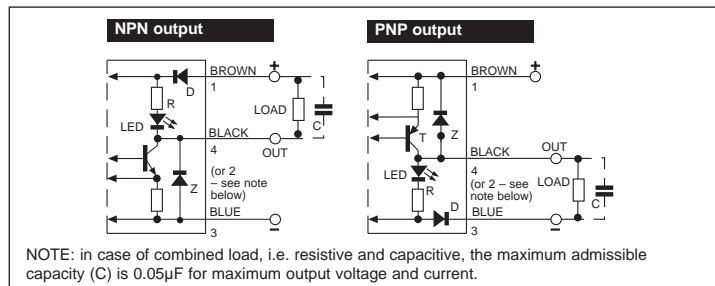
- $\varnothing 12 \times 50\text{mm}$ and $\varnothing 12 \times 43.5\text{mm}$
- Shielded and unshielded models
- IP67 nickel-plated brass housing
- Short-circuit protection
- LED status indicator 360° visible
- 2 wire DC (AM1)
- Additional cable exit options available
- Nominal sensing range shielded 2mm
- Unshielded 4mm
- Long distance AM1 shielded 4mm
- Unshielded 8mm



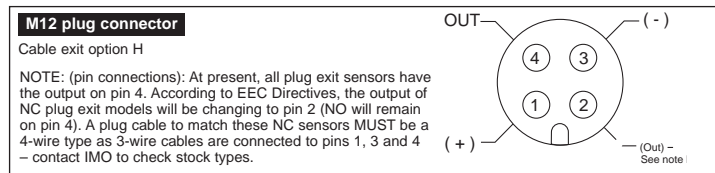
Options and ordering codes

	AM1 / AN	-	1A	
Standard proximity	AM1		1	Shielded
$\varnothing 12\text{mm}$ short version	AM6		2	Unshielded
NO output state	A		A	Standard cable exit
NPN output type	N		H	M12 plug cable exit
PNP output type	P			
2 wire AM1 only	O			

Output circuit-wiring connections



Plug-pin connections



Normally closed output types

UL approved models

Other cable options:

Right angle cable

M8 Plug cable exit

Customised cables

Please contact IMO for price and availability

Please see - Full specification page 321

Mounting brackets page 332

Connector leads page 330

Dimensions (mm)

