

**PLEASE CHECK WWW.MOLEX.COM FOR LATEST PART INFORMATION**

**Part Number:** [0504117325](#)  
**Status:** **Active**  
**Description:** Ring Tongue Terminal for 500-600MCM AWG, Closed Uninsulated Brazed Barrel, Stud Size 1/2" (M12), Oxygen-Free Copper, Length 88.00mm (3.465")

**Documents:**

[Drawing \(PDF\)](#) [RoHS Certificate of Compliance \(PDF\)](#)

**General**

Product Family	Ring and Spade Terminals
Series	<a href="#">50411</a>
Crimp Quality Equipment	Yes
Mil-Spec	N/A
Product Name	R (Ring)
Type	Ring

**Physical**

Barrel Type	Closed - Brazed
Insulation	None
Material - Plating Mating	Tin
Packaging Type	Bag
Stud Size	1/2" (M12)
Wire Size AWG	500MCM, 600MCM
Wire Size mm <sup>2</sup>	242.27 - 325

**Material Info**

**Reference - Drawing Numbers**

Sales Drawing	SD-50411-001
---------------	--------------



Series

image - Reference only

**EU RoHS**

**ELV and RoHS Compliant**

**REACH SVHC**

Not Reviewed

**Halogen-Free**

**Status**

**Not Reviewed**

**China RoHS**



**Need more information on product environmental compliance?**

Email [productcompliance@molex.com](mailto:productcompliance@molex.com)  
 For a multiple part number RoHS Certificate of Compliance, [click here](#)

Please visit the [Contact Us](#) section for any non-product compliance questions.

**Search Parts in this Series**

[50411Series](#)

**Application Tooling | [FAQ](#)**

*Tooling specifications and manuals are found by selecting the products below. Crimp Height Specifications are then contained in the Application Tooling Specification document.*

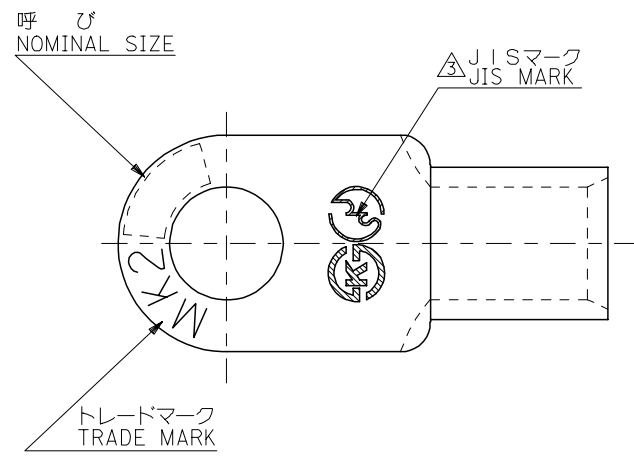
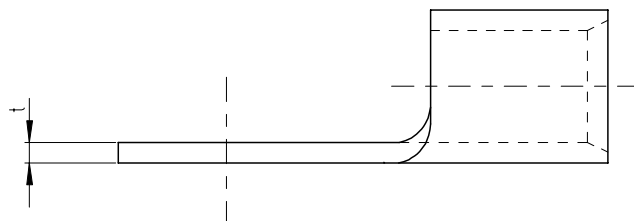
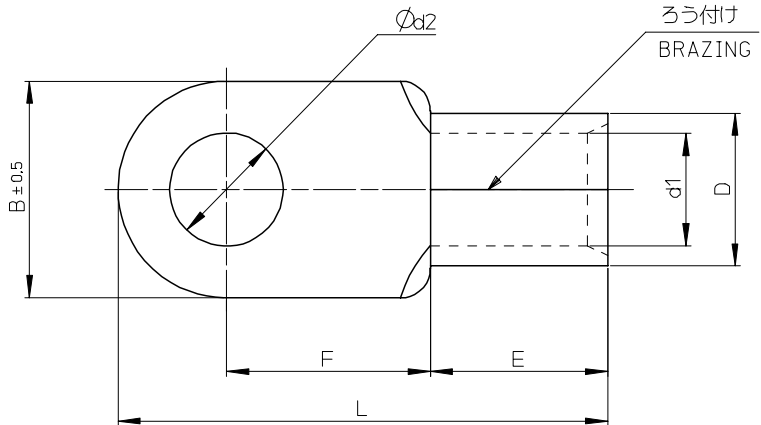
**Japan**

**Description**

**Product #**

Tool Kit For  
57343-9012

[0573439001](#)



注記 NOTES

- 1 材質 MATERIAL  
 端子：無酸素銅、錫めっき  
 TERMINAL: OXYGEN-FREE COPPER, TIN PLATING  
 ろう付け部：銀ろう  
 PART OF BRAZING : SILVER SOLDER
- 2 適用電線 APPLICABLE WIRE RANGE

単線	撚線
SOLID WIRE	STRANDED WIRE
17.5-20.3 mm	242.27-325 mm <sup>2</sup>

⚠ JIS認定品にのみ刻印。  
 DIE STAMPED MARK IS ALLOWED ONLY  
 FOR JIS FILED PRODUCTS.

JIS	4.2 MN	28 <sup>+0.5</sup> <sub>0</sub>	108 MAX	34 MIN	34.5 MN	28 <sup>+0.6</sup>	37.6 <sup>+0.6</sup>	50.5	325	27	50411-7726		
		25 <sup>+0.5</sup> <sub>0</sub>		32.5 MIN						24	50411-7626		
		23 <sup>+0.5</sup> <sub>0</sub>		30 MIN						22	50411-7526		
		21 <sup>+0.5</sup> <sub>0</sub>		27 MIN						20	50411-7426		
	4.5 <sup>+0.22</sup> <sub>-0.1</sub>	17 <sup>+0.5</sup> <sub>-0.1</sub>	105.7 <sup>+1.2</sup>	45 <sup>+1.1</sup>	35.5 <sup>+1</sup>	28 <sup>+0.7</sup> <sub>-0.6</sub>	37.6 <sup>+1.7</sup>	50.5	325	18	50411-7326		
		15 <sup>+0.5</sup> <sub>-0.1</sub>								94.2 <sup>+1</sup>	33.5 <sup>+1.1</sup>	L16	50411-7226
		13 <sup>+0.5</sup> <sub>-0.1</sub>										L14	50411-7126
		10.5 <sup>+0.5</sup> <sub>-0.1</sub>										L12	50411-7026
		8.4 <sup>+0.5</sup> <sub>-0.1</sub>										L10	50411-7925
JIS	4.2 MN	19 <sup>+0.5</sup> <sub>-0.1</sub>	88 <sup>+1.2</sup>	33.5 <sup>+1.1</sup>	35.5 <sup>+1</sup>	28 <sup>+0.7</sup> <sub>-0.6</sub>	37.6 <sup>+1.7</sup>	L8	50411-7825				
	4.5 <sup>+0.22</sup> <sub>-0.1</sub>	17 <sup>+0.5</sup> <sub>-0.1</sub>	103 MAX	22.5 MIN	34.5 MN	28 <sup>+0.6</sup>	37.6 <sup>+0.6</sup>	50.5	325	M18	50411-7725		
		15 <sup>+0.5</sup> <sub>-0.1</sub>								16	50411-7625		
		13 <sup>+0.5</sup> <sub>-0.1</sub>								S16	50411-7525		
		11.5 <sup>+0.5</sup> <sub>-0.1</sub>								14	50411-7425		
		10.5 <sup>+0.5</sup> <sub>-0.1</sub>								12	50411-7325		
JIS	4.2 MN	8.4 <sup>+0.5</sup> <sub>-0.1</sub>	88 <sup>+1.2</sup>	33.5 <sup>+1.1</sup>	35.5 <sup>+1</sup>	28 <sup>+0.7</sup> <sub>-0.6</sub>	37.6 <sup>+1.7</sup>	11	50411-7225				
	4.5 <sup>+0.22</sup> <sub>-0.1</sub>	10.5 <sup>+0.5</sup> <sub>-0.1</sub>	88 <sup>+1.2</sup>	33.5 <sup>+1.1</sup>	35.5 <sup>+1</sup>	28 <sup>+0.7</sup> <sub>-0.6</sub>	37.6 <sup>+1.7</sup>	50.5	325	10	50411-7125		
		8.4 <sup>+0.5</sup> <sub>-0.1</sub>								8	50411-7025		
⚠	t	Ød2	L	F	E	Ød1	ØD	B	呼び NOMINAL SIZE	U	ENG. NO.		

REVISED EC NO: J2007-0312 DR: N. H. YAJIMA 2007/05/17 CHK: K. KASAHARA 2007/05/18 APP: R. NUKITA 2007/05/18	GENERAL TOLERANCES (UNLESS SPECIFIED)		DIMENSION STYLE MM ONLY		SCALE ---	DESIGN UNITS METRIC	THIRD ANGLE PROJECTION	
	10 UNDER	± ---	DRAWN BY H. IJIMA	DATE '98/02/27	TITLE RING TERMINAL NON-INSULATED CRIMPSTYLE TERM FOR CU CONDUCTORS			
	10 OVER 30 UNDER	± ---	CHECKED BY M. FUKUSHIMA	DATE '98/03/03	MOLEX INCORPORATED			
	30 OVER	± ---	APPROVED BY M. FUKUSHIMA	DATE '98/03/03	DOCUMENT NO. SD-50411-001			
	ANGULAR	± --- °	MATERIAL NO. SEE CHART		SHEET NO. 1 OF 1			
DRAFT WHERE APPLICABLE MUST REMAIN WITHIN DIMENSIONS		SIZE A3		THIS DRAWING CONTAINS INFORMATION THAT IS PROPRIETARY TO MOLEX INCORPORATED AND SHOULD NOT BE USED WITHOUT WRITTEN PERMISSION				