



Am29841/Am29843

High Performance Bus Interface Latches

DISTINCTIVE CHARACTERISTICS

- High speed parallel latches
 - Noninverting transparent $t_{PD} = 5.25$ ns typ
 - Inverting transparent $t_{PD} = 6.0$ ns typ
- Buffered common latch enable, clear and preset input
- Three-state outputs glitch free during power-up and down
- Outputs have Schottky clamp to ground
- 48 mA Commercial I_{OL}
- Low input/output capacitance
 - 6 pF inputs (typical)
 - 8 pF outputs (typical)
- I_{OH} specified 2.0 V and 2.4 V
- 24-pin 0.3" space saving package
- Fully TTL compatible inputs and outputs
- IMOX™ high performance IMplanted QXide isolated process

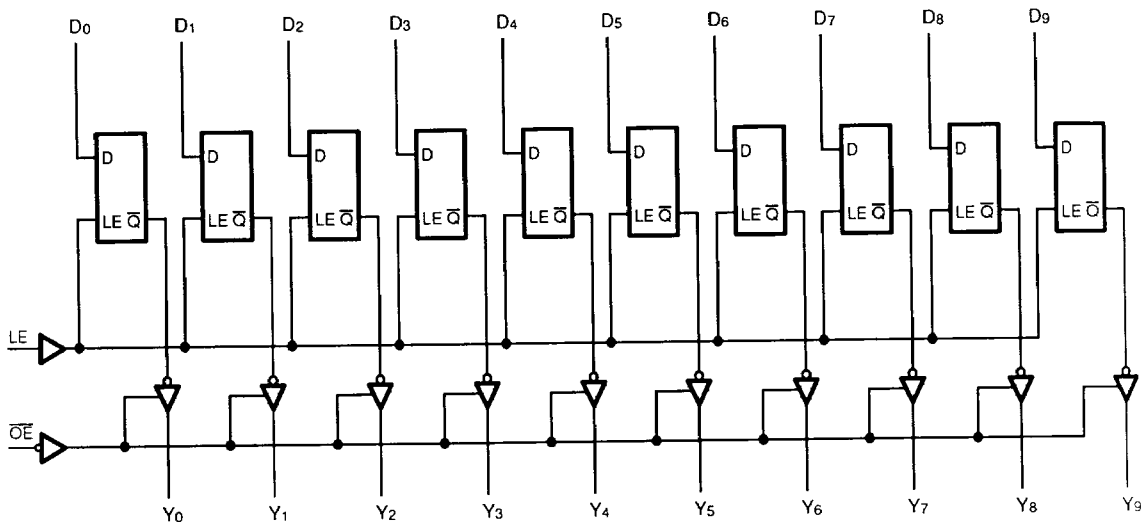
GENERAL DESCRIPTION

The Am29841/843 bus interface latches are designed to eliminate the extra packages required to buffer existing latches and provide extra data width for wider address/data paths or buses carrying parity. The Am29841 is a buffered, 10-bit wide version of the popular '373 function. The Am29843 is a 9-bit wide buffered latch with Preset (\overline{PRE}) and Clear (\overline{CLR}) – ideal for parity bus interfacing in high performance systems.

All of the Am29800 high performance interface family is designed for high capacitance load drive capability while providing low capacitance bus loading at both inputs and outputs. All inputs are Schottky diode inputs, and all outputs are designed for low capacitance bus loading in the high impedance state.

BLOCK DIAGRAMS

Am29841

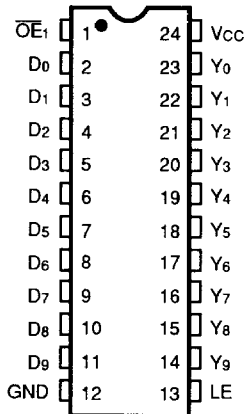


01972-001A

CONNECTION DIAGRAMS
Top View

Am29841

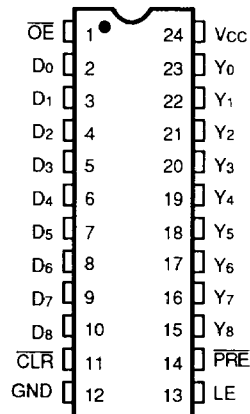
DIP



01972-003A

Am29843

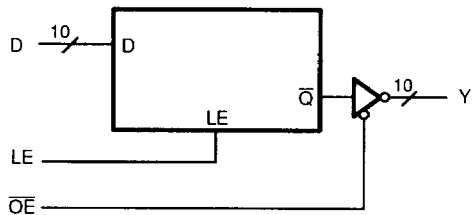
DIP



01972-004A

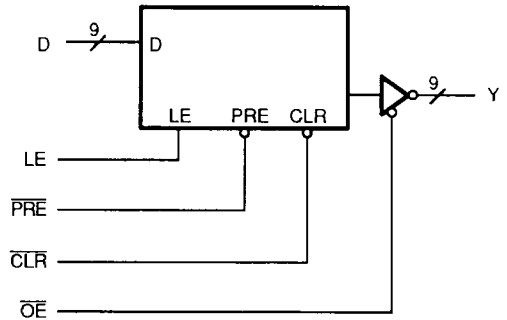
LOGIC SYMBOLS

Am29841
10-Bit Latch



01972-005A

Am29843
9-Bit Latch

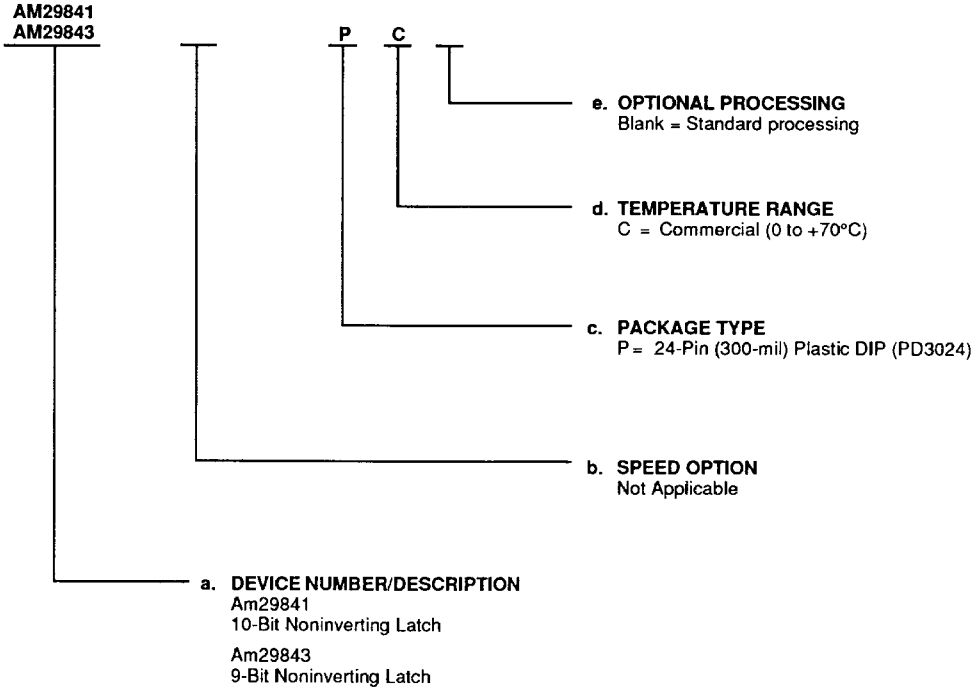


01972-006A

ORDERING INFORMATION
Standard Products

AMD standard products are available in several packages and operating ranges. The order number (Valid Combination) is formed by a combination of:

- a. Device Number
- b. Speed Option (if applicable)
- c. Package Type
- d. Temperature Range
- e. Optional Processing



Valid Combinations	
AM29841	PC
AM29843	

Valid Combinations

Valid Combinations list configurations planned to be supported in volume for this device. Consult the local AMD sales office to confirm availability of specific valid combinations or to check on newly released combinations, and to obtain additional data on AMD's standard military grade products.

PIN DESCRIPTION

CLR

When $\overline{\text{CLR}}$ is LOW, the outputs are LOW if $\overline{\text{OE}}$ is LOW.
When $\overline{\text{CLR}}$ is HIGH, data can be entered into the latch.

D_i

The latch data inputs.

LE

The latch enable input. The latches are transparent when LE is HIGH. Input data is latched on the HIGH-to-LOW transition.

Y_i

The 3-state latch outputs.

$\overline{\text{OE}}$

The output enable control. When $\overline{\text{OE}}$ is LOW, the outputs are enabled. When $\overline{\text{OE}}$ is HIGH, the outputs Y_i are in the high-impedance (off) state.

$\overline{\text{PRE}}$

Preset line. When $\overline{\text{PRE}}$ is LOW, the outputs are HIGH if $\overline{\text{OE}}$ is LOW. Preset overrides $\overline{\text{CLR}}$.

FUNCTION TABLES

Am29841

Inputs			Internal	Outputs	Function
$\overline{\text{OE}}$	LE	D _i	$\overline{\text{Q}}_i$	Y _i	
H	X	X	X	Z	Hi-Z
H	H	L	H	Z	Hi-Z
H	H	H	L	Z	Hi-Z
H	L	X	NC	Z	Latched (Hi-Z)
L	H	L	H	L	Transparent
L	H	H	L	H	Transparent
L	L	X	NC	NC	Latched

Am29843

Inputs				Internal	Outputs	Function	
$\overline{\text{CLR}}$	$\overline{\text{PRE}}$	$\overline{\text{OE}}$	LE	D _i	$\overline{\text{Q}}_i$		Y _i
H	H	H	X	X	X	Z	Hi-Z
H	H	H	H	L	H	Z	Hi-Z
H	H	H	H	H	L	Z	Hi-Z
H	H	H	L	X	NC	Z	Latched (Hi-Z)
H	H	L	H	L	H	L	Transparent
H	H	L	H	H	L	H	Transparent
H	H	L	L	X	NC	NC	Latched
H	L	L	X	X	L	H	Preset
L	H	L	X	X	H	L	Clear
L	L	L	X	X	L	H	Preset
L	H	H	L	X	L	Z	Latched (Hi-Z)
H	L	H	L	X	L	Z	Latched (Hi-Z)

- H = HIGH
- L = LOW
- X = Don't Care
- NC = No Change
- Z = High Impedance

ABSOLUTE MAXIMUM RATINGS

Storage Temperature	-65°C to +150°C
Ambient Temperature with Power Applied	-55°C to +125°C
Supply Voltage to Ground Potential Continuous	-0.5 V to +7.0 V
DC Voltage Applied to Outputs for High Output State	-0.5 V to +5.5 V
DC Input Voltage	-0.5 V to +5.5 V
DC Output Current, Into Outputs	100 mA
DC Input Current	-30 mA to +5.0 mA

OPERATING RANGES**Commercial (C) Devices**

Ambient Temperature (T _A)	0°C to +70°C
Supply Voltage (V _{CC})	5.0 V ± 10% - 4.5 V to 5.5 V

Operating ranges define those limits between which the functionality of the device is guaranteed.

Stresses above those listed under Absolute Maximum Ratings may cause permanent device failure. Functionality at or above these limits is not implied. Exposure to absolute maximum ratings for extended periods may affect device reliability.


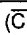


DC CHARACTERISTICS over operating ranges unless otherwise specified

Parameter Symbol	Parameter Description	Test Conditions	Min.	Max.	Unit
V _{OH}	Output HIGH Voltage	V _{CC} = 4.5 V V _{IN} = V _{IH} or V _{IL}	I _{OH} = -15 mA I _{OH} = -24 mA	2.4 2.0	V
V _{OL}	Output LOW Voltage	V _{CC} = 4.5 V V _{IN} = V _{IH} or V _{IL}	I _{OL} = 48 mA	0.5	V
V _{IH}	Input HIGH Level	Guaranteed input logical HIGH voltage for all inputs	2.0		V
V _{IL}	Input LOW Level	Guaranteed input logical LOW voltage for all inputs		0.8	V
V _I	Input Clamp Voltage	V _{CC} = 4.5 V, I _{IN} = -18 mA		-1.2	V
I _{IL}	Input LOW Current	V _{CC} = 5.5 V, V _{IN} = 0.4 V		-1.0	mA
I _{IH}	Input HIGH Current	V _{CC} = 5.5 V, V _{IN} = 2.7 V		50	μA
I _I	Input HIGH Current	V _{CC} = 5.5 V, V _{IN} = 5.5 V		1.0	mA
I _{OZ}	Output Off-State (Hi-Z) Output Current	V _{CC} = 5.5 V	V _O = 0.4 V V _O = 2.4 V	-50 50	μA
I _{SC}	Output Short Circuit Current (Note 1)	V _{CC} = 5.5 V		-75 -250	mA
I _{CC}	Supply Current	V _{CC} = 5.5 V Outputs Open	Over Temperature Range +70°C	120 110	mA

Note:

1. Not more than one output should be shorted at a time, and duration of the short-circuit should not exceed one second.

SWITCHING CHARACTERISTICS ($T_A = +25^\circ\text{C}$, $V_{CC} = 5.0\text{ V}$)

Parameter Symbol	Parameter Description		Test Conditions (Note 1)	Min.	Typ.	Max.	Unit
t _{PLH}	Data (D _i) to Output Y _i (LE = HIGH)		C _L = 50 pF	3.5	5.7	8	ns
t _{PHL}				3.5	6.2	8	ns
t _{PLH}			C _L = 300 pF		10	13	ns
t _{PHL}					10	13	ns
t _s	Data to LE Setup Time		C _L = 50 pF	2.0	-0.2		ns
t _H	Data to LE Hold Time			2.5	0.7		ns
t _{PLH}	Latch Enable (LE) to Y _i		C _L = 50 pF		8	10.5	ns
t _{PHL}					7.5	10	ns
t _{PLH}			C _L = 300 pF			15	ns
t _{PHL}						15	ns
t _{PLH}	Propagation Delay, Preset to Y _i		C _L = 50 pF		6.5	9	ns
t _s	Preset Recovery ($\overline{\text{PRE}}$ ) Time				7.3	12	ns
t _{PHL}	Propagation Delay, Clear to Y _i				15	18	ns
t _s	Clear Recovery ($\overline{\text{CLR}}$ ) Time				7.8	12	ns
t _{PWH}	LE Pulse Width	HIGH	C _L = 50 pF	4	2.5		ns
t _{PWL}	Preset Pulse Width	LOW		5			ns
t _{PWL}	Clear Pulse Width	LOW		6			ns
t _{ZH}	Output Enable Time $\overline{\text{OE}}$  to Y _i		C _L = 300 pF			17	ns
t _{ZL}						21	ns
t _{ZH}			C _L = 50 pF		7.3	12	ns
t _{ZL}					9.7	12	ns
t _{HZ}	Output Disable Time $\overline{\text{OE}}$  to Y _i		C _L = 50 pF		10.4	14	ns
t _{LZ}					4.7	11	ns
t _{HZ}			C _L = 5 pF (Note 2)		3.4	8	ns
t _{LZ}					3.8	8	ns

Notes:

1. See test circuit and waveforms (Chapter 2).
2. Not tested.

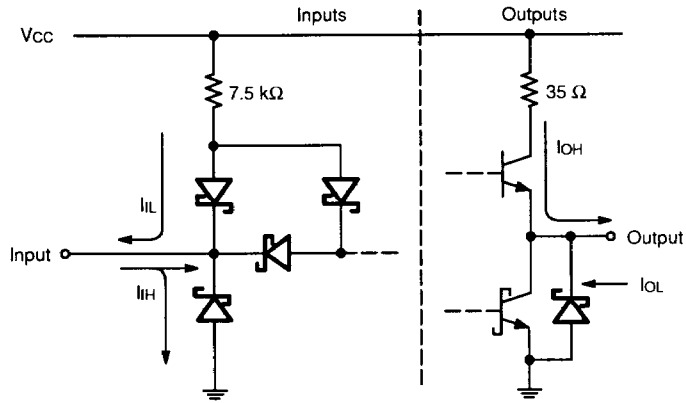
SWITCHING CHARACTERISTICS over operating ranges unless otherwise specified

Parameter Symbol	Parameter Description		Test Conditions (Note 1)	Min.	Max.	Unit
t _{PLH}	Data (D _i) to Output Y _i (LE = HIGH)		C _L = 50 pF	3.5	9.5	ns
t _{PHL}				3.5	9.5	ns
t _{PLH}			C _L = 300 pF		12.5	ns
t _{PHL}					13	ns
t _s	Data to LE Setup Time		C _L = 50 pF	2.5		ns
t _h	Data to LE Hold Time			2.5		ns
t _{PLH}	Latch Enable (LE) to Y _i		C _L = 50 pF		12	ns
t _{PHL}					12	ns
t _{PLH}			C _L = 300 pF		16	ns
t _{PHL}					16	ns
t _{PLH}	Propagation Delay, Preset to Y _i		C _L = 50 pF		12	ns
t _s	Preset Recovery ($\overline{\text{PRE}} \downarrow$) Time				14	ns
t _{PHL}	Propagation Delay, Clear to Y _i				21	ns
t _s	Clear Recovery ($\overline{\text{CLR}} \downarrow$) Time				14	ns
t _{PWH}	LE Pulse Width	HIGH	C _L = 50 pF	6		ns
t _{PWL}	Preset Pulse Width	LOW		8		ns
t _{PWL}	Clear Pulse Width	LOW		8		ns
t _{ZH}	Output Enable Time $\overline{\text{OE}} \downarrow$ to Y _i		C _L = 300 pF		20	ns
t _{ZL}					23	ns
t _{ZH}			C _L = 50 pF		14	ns
t _{ZL}					14	ns
t _{HZ}	Output Disable Time $\overline{\text{OE}} \downarrow$ to Y _i		C _L = 50 pF		15	ns
t _{LZ}					12	ns
t _{HZ}			C _L = 5 pF		9	ns
t _{LZ}					9	ns

Note:

1. See test circuit and waveforms (Chapter 2).

INPUT/OUTPUT CURRENT INTERFACE CONDITIONS

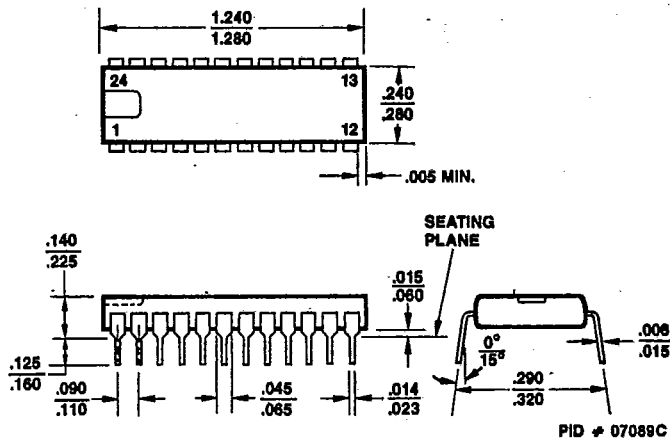


01972-007A

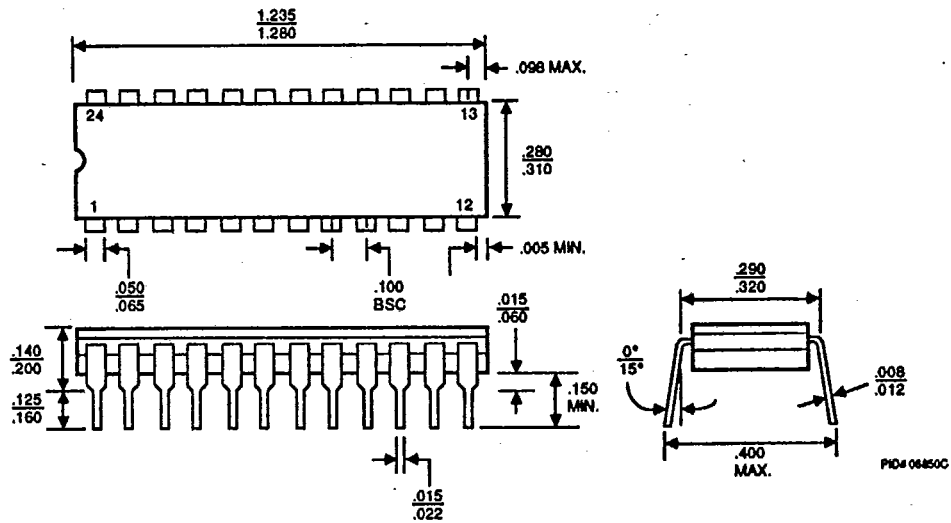
PACKAGE OUTLINES*

T-90-20

PD3024



CD3024

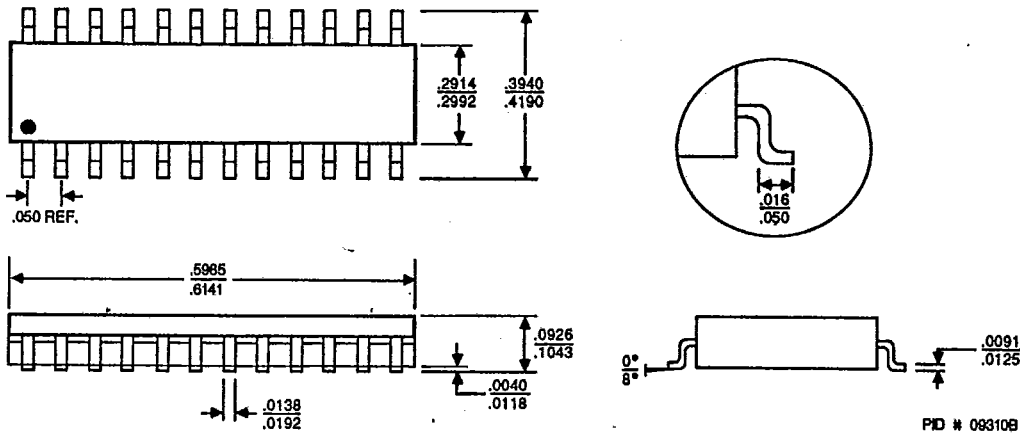


*For reference only.

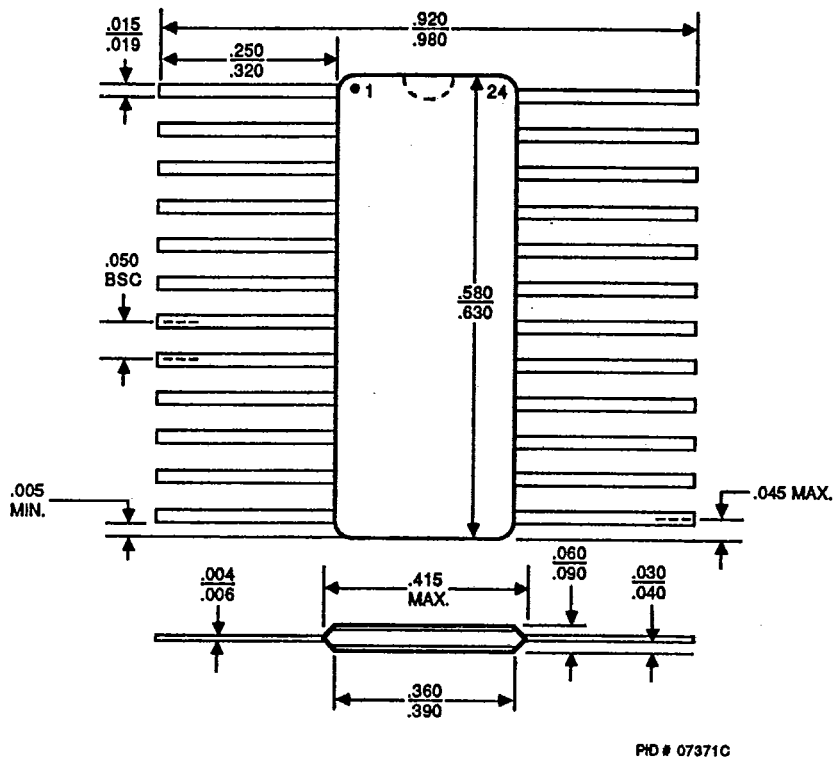
PACKAGE OUTLINES (Cont'd.)

T-90-20

SO 024



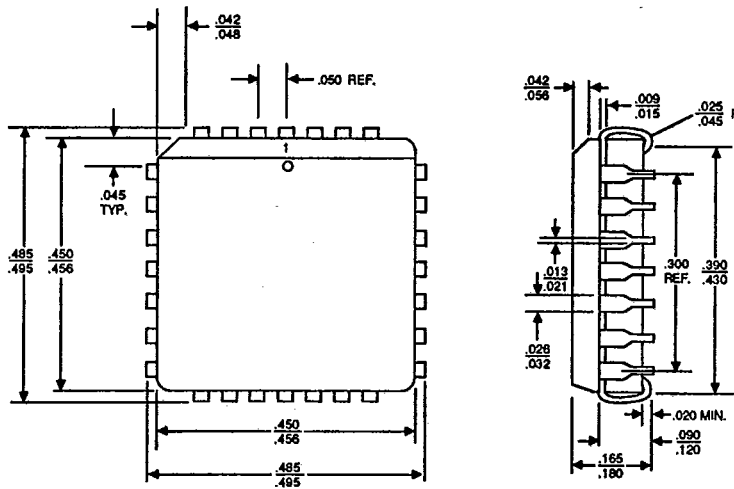
CFM024



PACKAGE OUTLINES (Cont'd.)

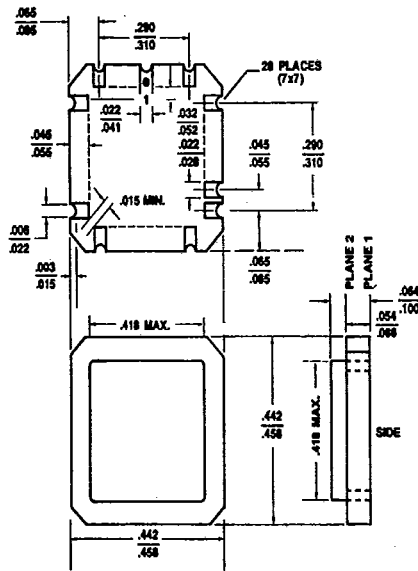
T-90-20

PL 028



PID # 06751E

CL 028



PID # 06595D

Advanced Micro Devices reserves the right to make changes in its product without notice in order to improve design or performance characteristics. The performance characteristics listed in this document are guaranteed by specific tests, correlated testing, guard banding, design and other practices common to the industry. For specific testing details, contact your local AMD sales representative. The company assumes no responsibility for the use of any circuits described herein.

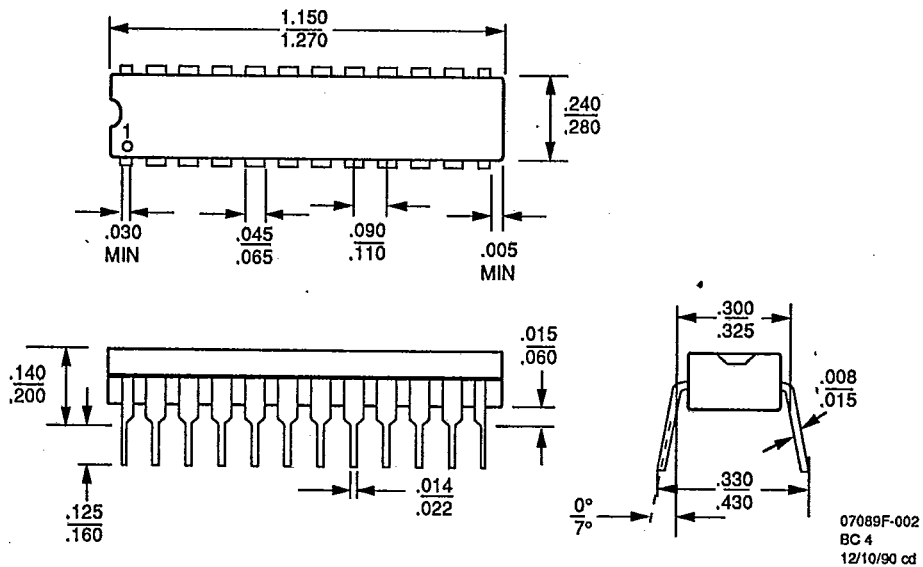


ADVANCED MICRO DEVICES 901 Thompson Pl., P.O. Box 3453, Sunnyvale, CA 94088, USA
 TEL: (408) 732-2400 • TWX: 910-339-9280 • TELEX: 34-6306 • TOLL FREE: (800) 638-8450

© 1988 Advanced Micro Devices, Inc.
 Printed in U.S.A. AIS-WCP-20M-01/88-0

PD3024
24-Pin 300-mil Plastic SKINNYDIP

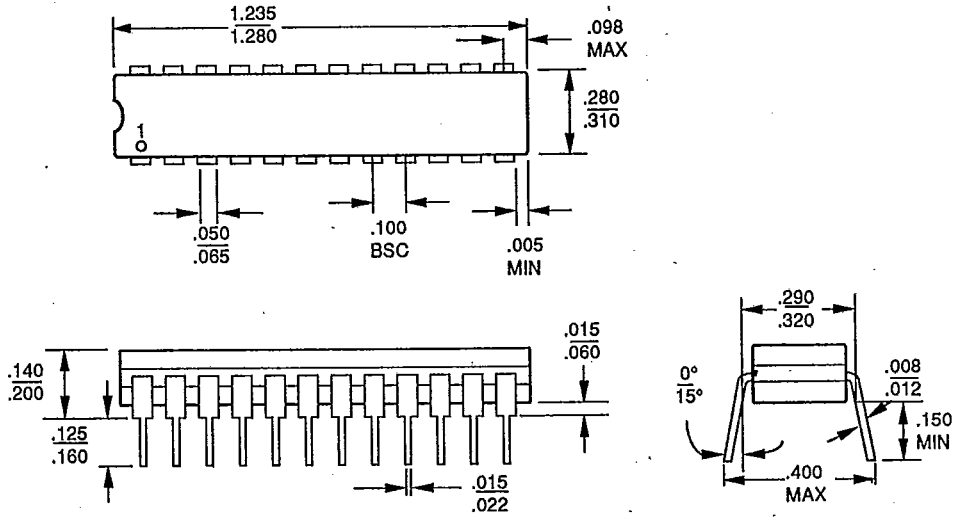
T-90-20



Note:
For reference only. All dimensions measured in inches. BSC is an ANSI standard for Basic Space Centering.

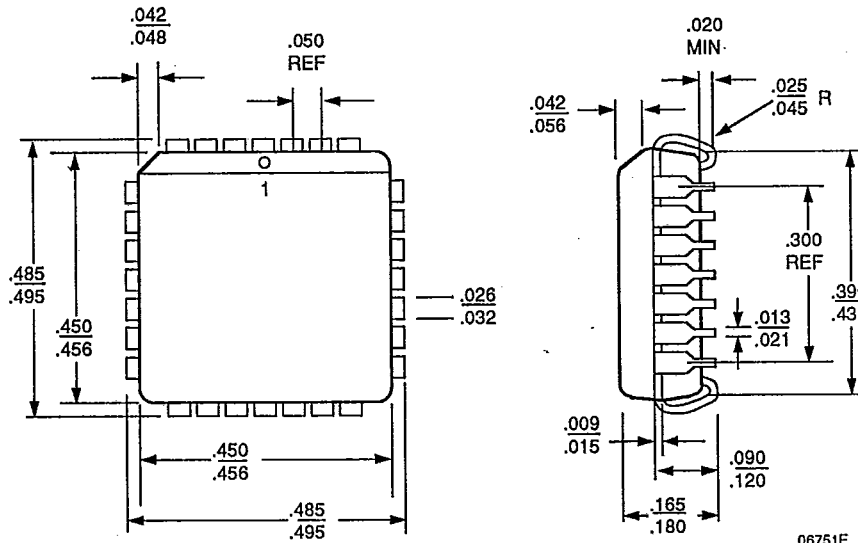
T-90-20

CD3024
24-Pin 300-mil Ceramic SKINNYDIP



06850C

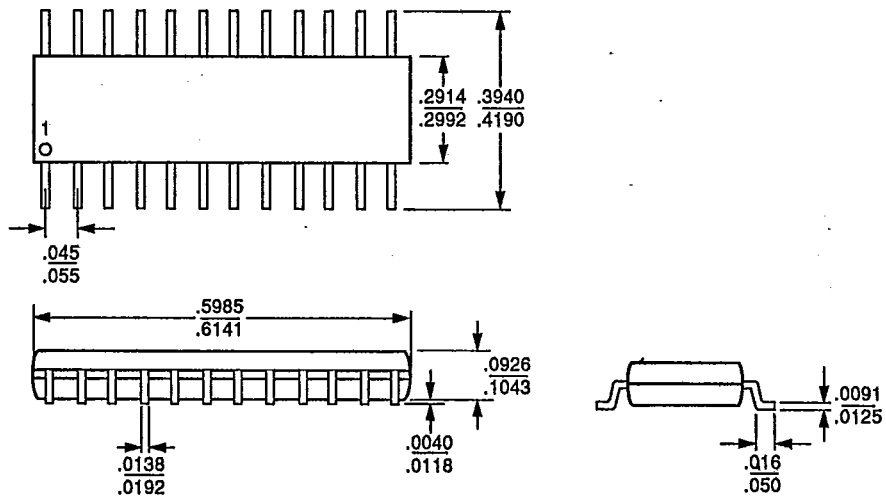
PL 028
28-Pin Plastic Leaded Chip Carrier



06751E

SO 024
24-Pin Plastic Small Outline Package

T-90-20



09310B