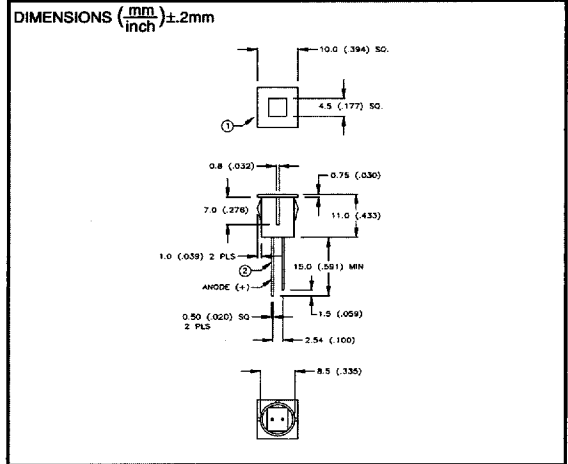


**SSI-LXH55XX SERIES SQUARE LED IN ROUND HOLE INDICATOR**

LUMEX PART NBR	EMITTED COLOR		OPERATING CURRENT (mA)	OPERATING TYP Volts (V)	BRIGHTNESS		LED SERIES USED
	RED	PEAK(nm)			TYP (MRD) (°)	mA	
SSF-LXH55ID	RED	635	10-25	2.1	14	20	SSL-LX5573XX
SSF-LXH55SRD	RED	660	10-25	1.7	40	20	SSL-LX5573XX
SSF-LXH55GD	GREEN	565	10-25	2.1	14	20	SSL-LX5573XX
SSF-LXH55YD	YELLOW	585	10-25	2.1	14	20	SSL-LX5573XX
BI-COLOR OPTION							
SSI-LXH55HGW	RED/GREEN	695/565	10-25	2.1	9/9	20	SSL-LX5573HGW

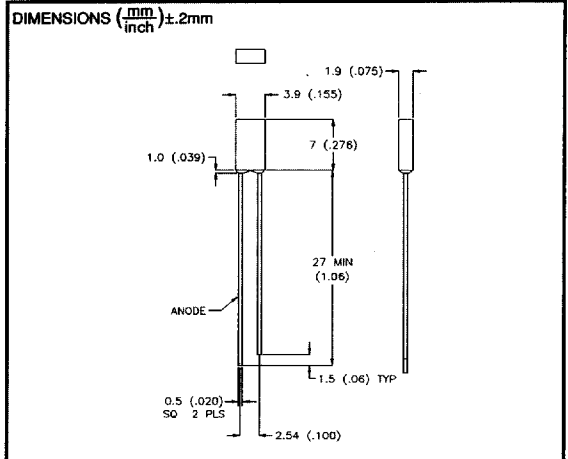
See pages 8-14 for Max. operating limits and operating curves



**SSL-LX2473XX SERIES 2x4mm RECTANGULAR LED**

LUMEX PART NBR	EMITTED COLOR		EPOXY LENS COLOR	BRIGHTNESS		VIEW ANGLE	VI@20mA	
	RED	PEAK(nm)		TYP.(mcd.)	II(mA)		TYP.	MAX
SSL-LX2473ID	RED	635	RED DIFF.	8	20	80	2.0	2.8
SSL-LX2473SRD	RED	660	RED DIFF.	35	20	80	1.7	2.2
SSL-LX2473GD	GREEN	565	GREEN DIFF.	8	20	80	2.1	2.8
SSL-LX2473YD	YELLOW	585	YELLOW DIFF.	8	20	80	2.1	2.8

See pages 8 -14 for Max. operating limits and operating curves



**SSL-LX1583XX SERIES 1x5mm RECTANGULAR LEDS**

LUMEX PART NBR	EMITTED COLOR		EPOXY LENS COLOR	BRIGHTNESS		VIEW ANGLE	VI@20mA	
	RED	PEAK(nm)		TYP.(mcd.)	II(mA)		TYP.	MAX
SSL-LX1583ID	RED	635	RED DIFF.	7	20	80	2.0	2.8
SSL-LX1583SRD	RED	660	RED DIFF.	32	20	80	1.7	2.2
SSL-LX1583GD	GREEN	565	GREEN DIFF.	7	20	80	2.1	2.8
SSL-LX1583YD	YELLOW	585	YELLOW DIFF.	7	20	80	2.1	2.8
BI-COLOR OPTIONS								
SSL-LX1583HGW	RED/GREEN	695/565	WHITE DIFF.	5/5	20/20	80	2.0	2.8

See pages 8 -14 for Max. operating limits and operating curves

