

Model No.	OSPR4X01- XXZ3E1C1E
REV.	C1

## 4PCS Xeon 1 Power LED

### Descriptions:

- Green light source, fast response
- Long life, easy installation
- LED model number: XXZ3E1C1E

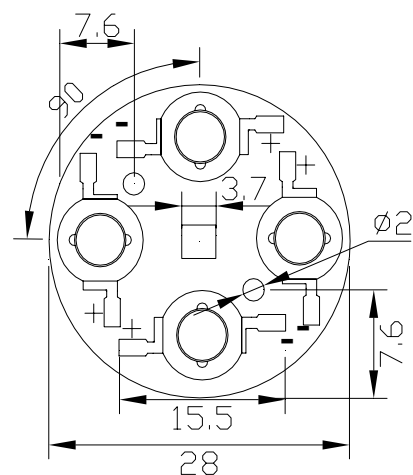
### Features:

- Available in white
- Super Bright
- Big Emitting Angle
- Superior ESD Protection
- Superior UV Resistance

### Application:

- Small space lighting
- Mechanical equipment lights

### Product Picture and Dimensions:



Unit: mm  
Tolerance:  $\pm 0.3$ mm

Model No.	OSPR4X01- XXZ3E1C1E
REV.	C1

### Device Selection Guide

Module No.	Color	Wavelength (Typ.)	Overall luminous flux
M5Z3E1C1E	Warm White	X=0.45,Y=0.41	340lm
W4Z3E1C1E	Pure White	X=0.31,Y=0.33	360lm

### Absolute Maximum Ratings(Ta=25 )

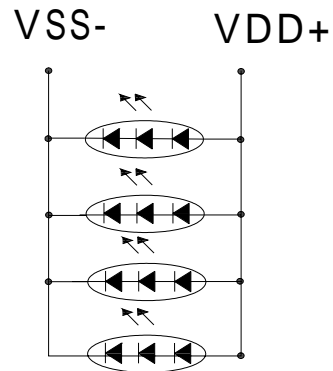
Items	Symbol	Values	Units
Operating supply range(DC)	V <sub>idc</sub>	11.4	V
Input Current (DC)	I <sub>i</sub>	600	mA
Power Dissipation	P <sub>a</sub>	6.8	W
Operating Temperature	T <sub>ope</sub>	-10 ~ +40	DegC
Storage Temperature	T <sub>stg</sub>	-20 ~ +80	DegC

### Typical Performance (Ta=25 )

Items	Symbol	Min.	Typ.	Max.	Units
LED Module Power	P <sub>m</sub>	-	4.8	6.8	w
Input Voltage(DC)	V <sub>i</sub>	-	10	11.4	V
Product Input Current	I <sub>f</sub>	-	480	600	mA
Beam Pattern	BP	-	120	-	Deg
Total Diameter of PCB	L <sub>mod.</sub>	-	28	-	mm
Net Weight	Wei.	---	6	---	g

Model No.	OSPR4X01- XXZ3E1C1E
REV.	C1

## Product circuit



## Product handling

- Please do not use a force of over 3kgf impact or pressure on the silicone lens, otherwise it will cause a catastrophic failure.
- The LEDs should only be picked up by making contact with the sides of the LED body.
- Avoid touching the silicone lens especially by sharp tools such as Tweezers.
- Avoid leaving fingerprints on the silicone lens.
- Please store the LEDs away from dusty areas or seal the product against dust.
- When populating boards in SMT production, there are basically no restrictions regarding the form of the pick and place nozzle, except that mechanical pressure on the silicone lens must be prevented.
- Please do not mold over the silicone lens with another resin. (epoxy, urethane, etc)

